

## Datasheet

# RS Pro Brass Single Check Valve, 1/2 in BSP

RS Stock No: **340-3294**



## Product Details

RS Pro single check valve made of brass, is suitable for heating, sanitary and compressed air systems, pumps and autoclaves. It features hostaform inner valve and withstands hydrostatic test pressures up to 30 bar. The compact design allows flow in one direction only, indicated by arrow on valve body. The low pressure drop prevents water hammer.

## Features and Benefits

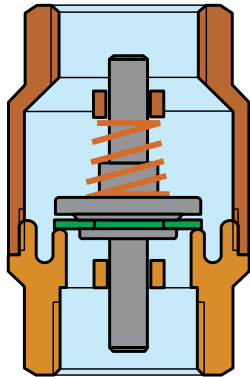
- Suitable for heating, sanitary and compressed air systems, pumps and autoclaves
- Body in hot forged DZR brass
- Threading to BS 2779
- Hostaform inner valve
- Spring in 18/8 AISI 302-304 stainless steel
- Hydrostatic test pressures: 30 bar/435 psi (shell), 22 bar/315 psi (seat)
- Compact design
- Installation in vertical, horizontal or oblique pipelines
- Snap-in, spring loaded non- return valve, WRC approved
- Low pressure drop, prevents water hammer



ENGLISH

### Specifications:

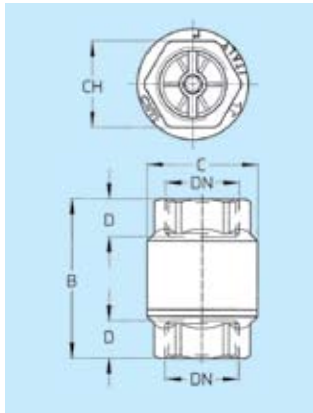
Body Material	Brass
Connection	1/2 in BSP
Thread Standard	BSP
Type	Single
Thread Size	1/2 in
Maximum Working Pressure	16 bar
Length	55 mm
Width	35 mm
Operating Temperature Range	-10 to +100°C



**Materials:**

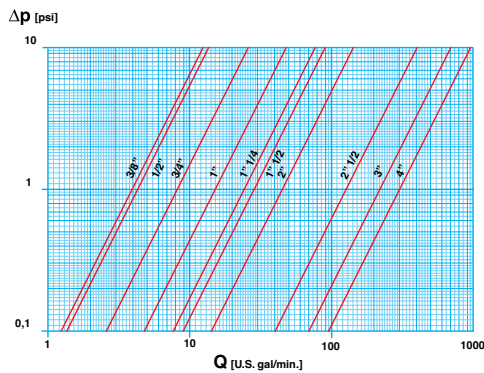
- **Body:** Hot Forged Brass ASTM C37700
- **End Adaptor:** Hot Forged Brass ASTM C37700
- **Spring:** 18/8 ANSI 302 Stainless Steel
- **Stem:** Hostaform Thermoplastic
- **Disc:** NBR
- **Filtering "Foot":** 18/8 ANSI 302 Stainless Steel

**FIPT x FIPT**

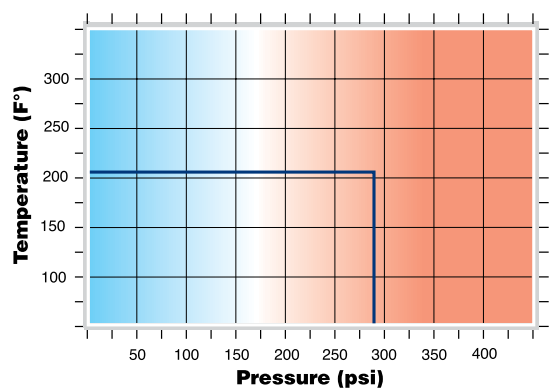


Size	3/8"	1/2"	3/4"	1"	1-1/4"	1-1/2"	2"	2-1/2"	3"	4"
B	2-3/16" 55mm	2-3/16" 55mm	2-7/16" 62mm	2-13/16" 72mm	3-1/4" 82mm	3-3/4" 96mm	4-5/16" 109mm	5-1/16" 129mm	5-9/16" 141mm	5-3/4" 146mm
C	1-3/8" 35mm	1-3/8" 35mm	1-5/8" 42mm	2" 50mm	2-3/8" 60mm	2-3/4" 70mm	3-1/4" 83mm	4-1/16" 103mm	4-13/16" 123mm	6-5/16" 160mm
D	3/8" 10mm	1/2" 12mm	1/2" 13mm	9/16" 14mm	5/8" 16mm	11/16" 18mm	13/16" 20mm	1" 25mm	1" 25mm	1" 26mm
CH	1" 25mm	1" 25mm	1-1/2" 31mm	1-9/16" 39mm	1-7/8" 48mm	2-3/16" 55mm	2-5/8" 67mm	3-7/16" 88mm	3-15/16" 100mm	4-13/16" 123mm
Pounds	0.39	0.34	0.53	0.82	1.06	2.02	2.91	5.52	7.69	11.33
Grams	175	155	240	370	480	915	1320	2505	3490	5140

**FLOW AND PRESSURE DROP**



**PRESSURE/TEMPERATURE RATINGS**



**CV**

**CV:** Capacity in "U.S. gal/min" at pressure drop of "1 PSI"

**Element:** Water - Temperature: 59.9° F

30.1 SIZE	3/8"	1/2"	3/4"	1"	1-1/4"	1-1/2"	2"	2-1/2"	3"	4"
CV	3.93	4.3	8.1	15	24.3	28.9	44	124.9	222.1	305.4

**Working Pressure:** 290 PSI

**Max. Operating Temperature:** Working Limit for Fluids 14° F – 212° F

**Test Pressures:** According to ISO 5208