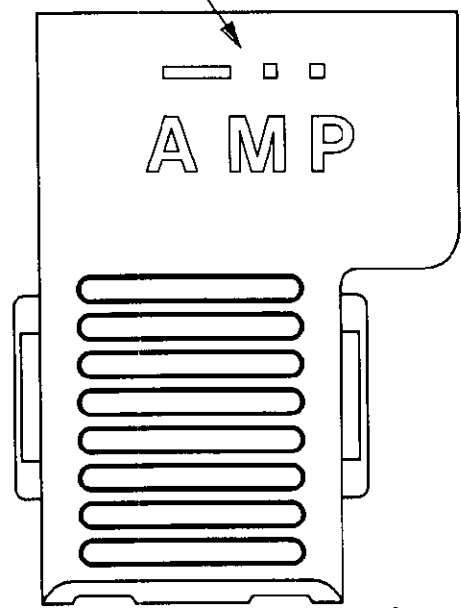
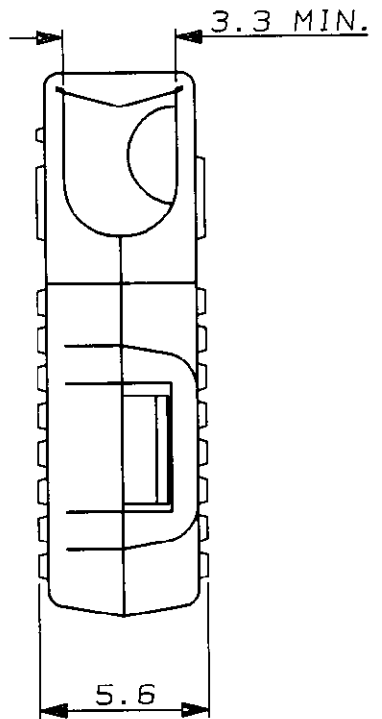
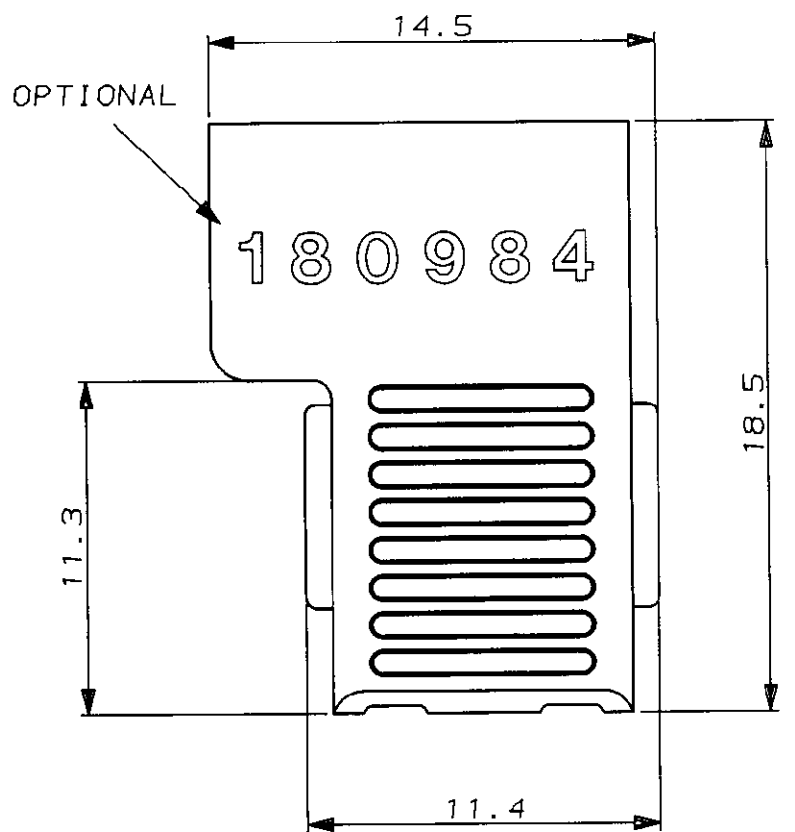


SCALA NON IMPEGNATIVA
(DO NOT SCALE)
DIMENSIONI IN mm
(DIMENSIONS IN mm)

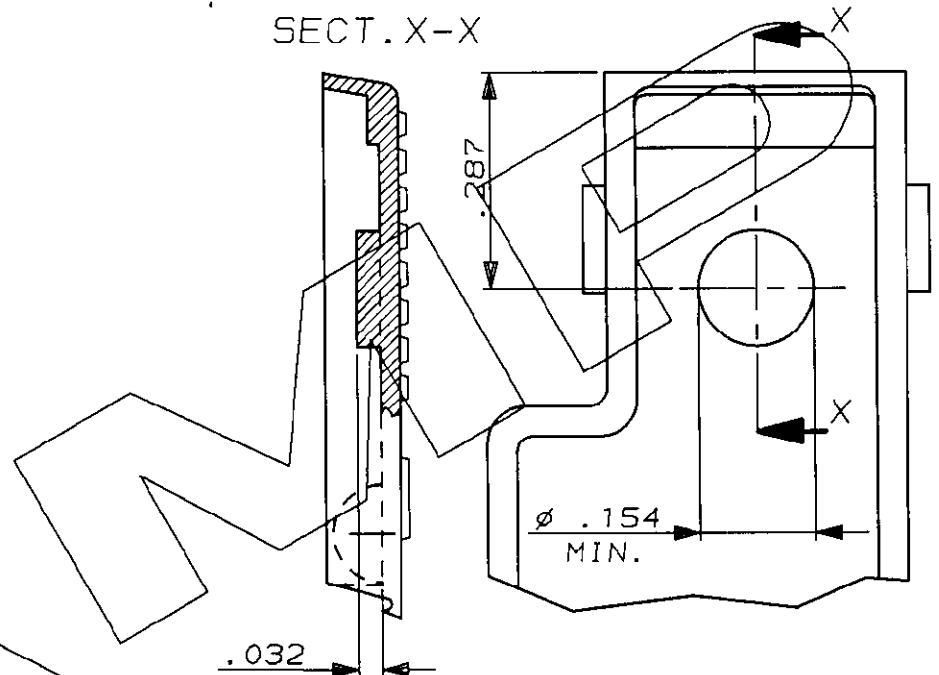
METRIC

PROIEZIONE EUROPEA
(EUROPEAN PROJECTION)



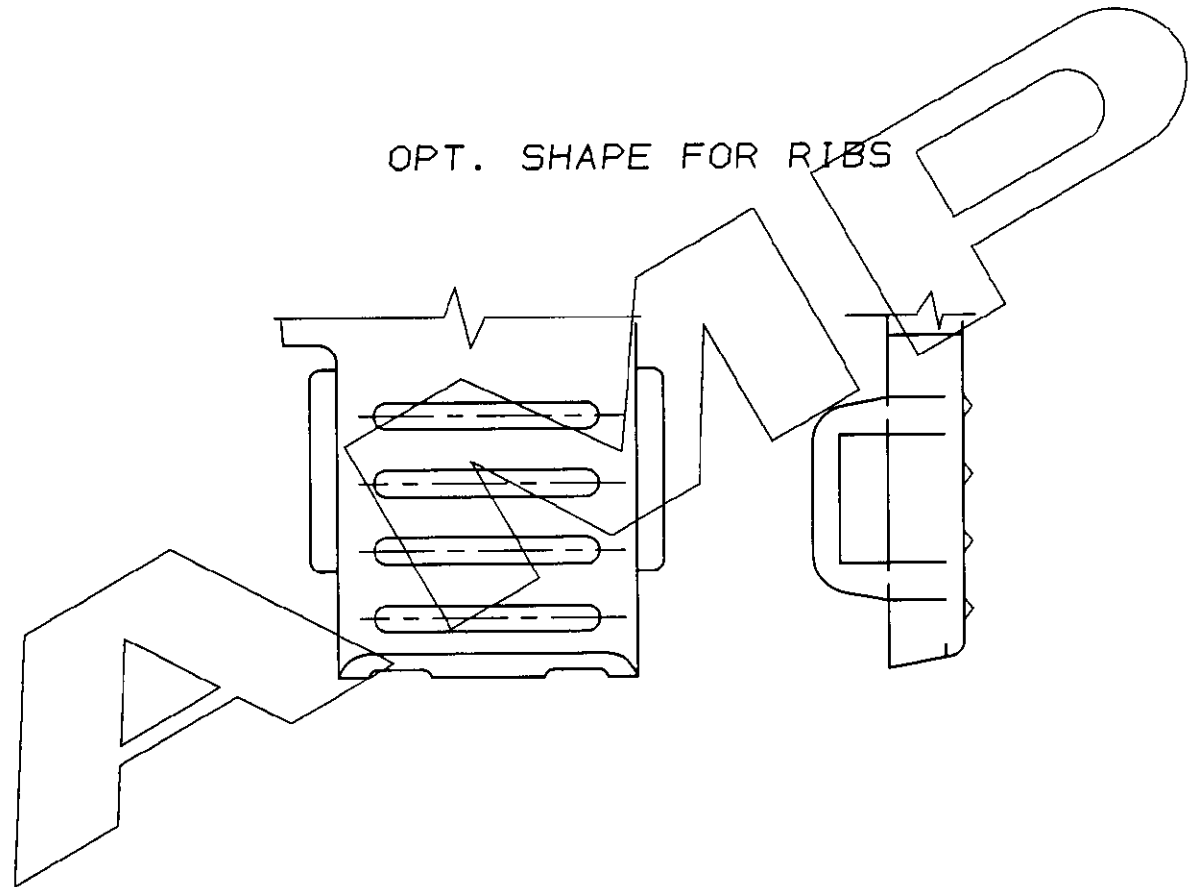
OPT. FOR AMP DO BRASIL

SECT. X-X



* NOT MANUFACTURED BY AMP ITALIA

OPT. SHAPE FOR RIBS



* NERO (BLACK)	PA 6.6	7-180984-5
* NATURALE (NATURAL)	PA 6.6	7-180984-0
* NERO (BLACK)	PES	6-180984-0
* NERO (BLACK)	PEI	5-180984-0
OBSOLETE	NERO (BLACK)	TEGNYL A 20
* NERO (BLACK)	PA 6.6	3-180984-1
* NATURALE (NATURAL)	PA 6-6	3-180984-0
* NATURALE (NATURAL)	FLAME RETARD.	3-180984-0
* NATURALE (NATURAL)	ZYTEL E 103 HSL	2-180984-0
OBSOLETE	ARANCIO (ORANGE)	180984-9
* VIOLA (VIOLET)		180984-8
* NERO (BLACK)	PA 6-6	180984-5
* STALLO (YELLOW)		180984-4
BLU (BLUE)		180984-3
ROSSO (RED)		180984-1
NATURALE (NATURAL)		180984-0
FINITURA / COLORE (FINISH / COLOUR)	MATERIALE (MATERIAL)	NUMERO (PART NUMBER)

CUSTOMER DWG. FOR REFERENCE ONLY		DISEGNO PER CLIENTE SOLO PER RIFERIMENTO	
THIS DRAWING IS UNPUBLISHED		RELEASE FOR PUBLICATION 19	
© COPYRIGHT 19 BY AMP INCORPORATED, HARRISBURG, PA. ALL INTERNATIONAL RIGHT RESERVED. AMP PRODUCTS MAY BE COVERED BY U.S. AND FOREIGN PATENT AND/OR PATENT PENDING			
TOLLERANZE, SE NON DIVERSAMENTE SPECIFICATO (TOLERANCES, UNLESS OTHERWISE SPECIFIED)		DIAM. ISOLANTE (INS. DIA. RANGE)	RANGO FILO (WIRE RANGE)
U REVISED PER 0195-94 A.C. 4 APR 94		-	-
T REVISED PER 0102-94 A.C. 31 AG. 90		SCALA (SCALE) 4:1	
S REVISED 8 OTT. 90		AMP AMP ITALIA S.p.A. Corso F.lli Cervi, 15 COLLEGGNO (TORINO)	
R REVISED 3 APR 90			
P REVISED 26 DIC 88		DESCRIZIONE (DESCRIPTION)	
N REDRAWN W/O CHANGES 27 NOV 88		FLAG FASTON BOOT	
M ADDED P/N 4-.....-0 DIS. DATA (REV. DATE)		LOC. SIZE NUMERO (DWG NO)	REV. FOGLIO (SHEET)
REV. REVISIONI (REVISION RECORD)		I A3 C-180984	U 1 DI 1 (OF 1)

DISTRIBUZIONE (PRINT DIST.)