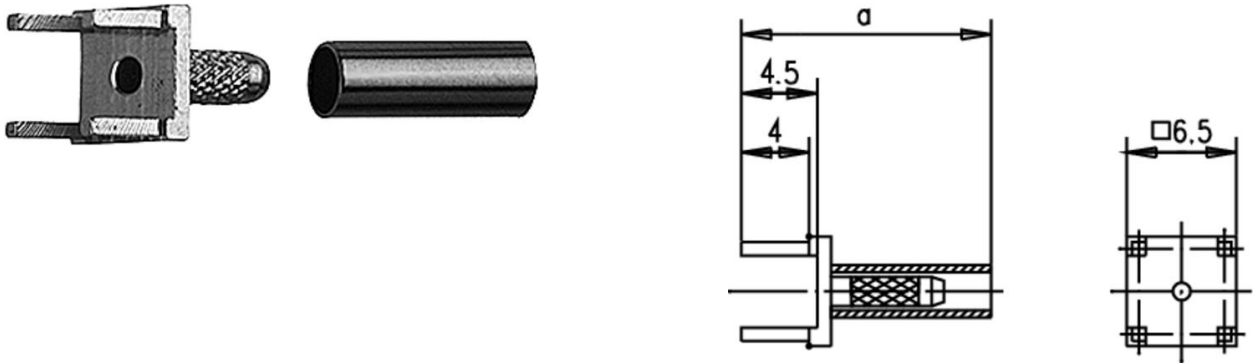


order number: H01000A0097

Cable Terminator for Printed Circuits G8 (RD-316) solder/crimp



| Technical Attributes |              |
|----------------------|--------------|
| Cable group; cable   | G8 (RD-316)  |
| Remarks              | solder/crimp |
| Dimensions           | a=14.8       |
| Mount. dim.          | Z25          |
| Assembly             | D0214        |
| Crimp die            | N01003A0014  |

### Product description

Cable terminators are used for direct soldering of coax-cables onto printed circuits boards. Straight and angle types with 1, 2 or 4 pin terminations allow optimal solutions for various applications.