

INDICATOR LIGHT, 22MM, ROUND, PLASTIC,  
GREEN, SMOOTH LENS



Figure similar

product brand name		SIRIUS ACT
Product designation		Commanding and signaling devices
Design of the product		Pilot Light

#### Actuator:

<b>Color</b>		
• of the actuating element		Green
<b>Material of the actuating element</b>		plastic
<b>Shape of the actuating element</b>		round
<b>Outer diameter of the actuating element</b>	mm	29.45

#### Front ring:

<b>Product component front ring</b>		No
-------------------------------------	--	----

#### General technical data:

<b>Vibration resistance</b>		
• acc. to IEC 60068-2-6		10 ... 500 Hz: 5g
<b>Equipment marking</b>		
• acc. to DIN EN 61346-2		P
• acc. to DIN EN 81346-2		P

#### Ambient conditions:

<b>Ambient temperature</b>		
• during operation	°C	-25 ... +70
• during storage	°C	-40 ... +80

#### Installation/ mounting/ dimensions:

<b>Height</b>	mm	29.45
---------------	----	-------

Width	mm	29.45
Shape of the installation opening		round
Mounting diameter	mm	22

Certificates/ approvals:

Further information

**Information- and Downloadcenter (Catalogs, Brochures,...)**

<http://www.siemens.com/industrial-controls/catalogs>

**Industry Mall (Online ordering system)**

<http://www.siemens.com/industrymall>

**Cax online generator**

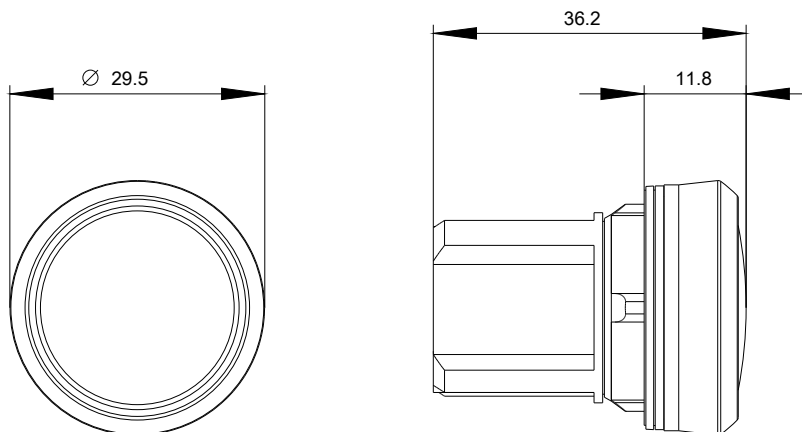
<http://support.automation.siemens.com/WW/CAXorder/default.aspx?lang=en&mlfb=3SU10016AA400AA0>

**Service&Support (Manuals, Certificates, Characteristics, FAQs,...)**

<http://support.automation.siemens.com/WW/view/en/3SU10016AA400AA0/all>

**Image database (product images, 2D dimension drawings, 3D models, device circuit diagrams, EPLAN macros, ...)**

[http://www.automation.siemens.com/bilddb/cax\\_de.aspx?mlfb=3SU10016AA400AA0&lang=en](http://www.automation.siemens.com/bilddb/cax_de.aspx?mlfb=3SU10016AA400AA0&lang=en)



last modified:

09.03.2015