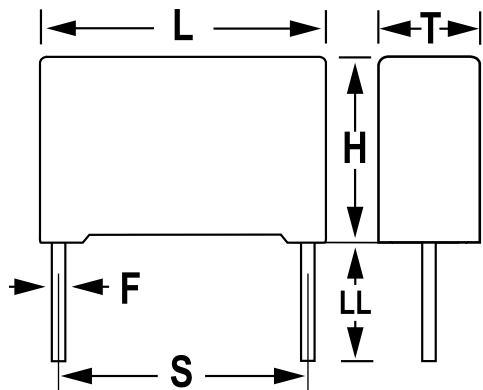


KEMET Part Number: PHE426KF7220JR06L2
(F426FM225J400C, PHE426KF7220JF13R06L2)

PHE426/F426, Film, Metallized Polypropylene, General Purpose, 2.2 uF, 5%, 400 VDC, 85°C, Lead Spacing = 27.5mm



General Information	
Supplier:	KEMET
Series:	PHE426/F426
Dielectric:	Metallized Polypropylene
Style:	Radial
Features:	Pulse
RoHS:	Yes
Lead:	Wire Leads
Notes:	Not For New Design, Please Check Possible Alternative Parts (AltPart)

Dimensions	
L	31.5mm MAX
H	24.5mm MAX
T	14.5mm MAX
S	27.5mm +/-0.4mm
LL	6mm NOM
F	0.8mm NOM

Specifications	
Capacitance:	2.2 uF
Capacitance Tolerance:	5%
Voltage AC:	220 VAC
Voltage DC:	400 VDC, 296 VDC (105C)
Temperature Range:	-55/+105C
Rated Temperature:	85°C
Dissipation Factor:	0.10% 1kHz
Insulation Resistance:	13.6364 GOhms
Max dV/dt:	90 V/us
Inductance:	6 nH

Packaging Specifications	
Packaging:	Bulk, Tray
Packaging Quantity:	153