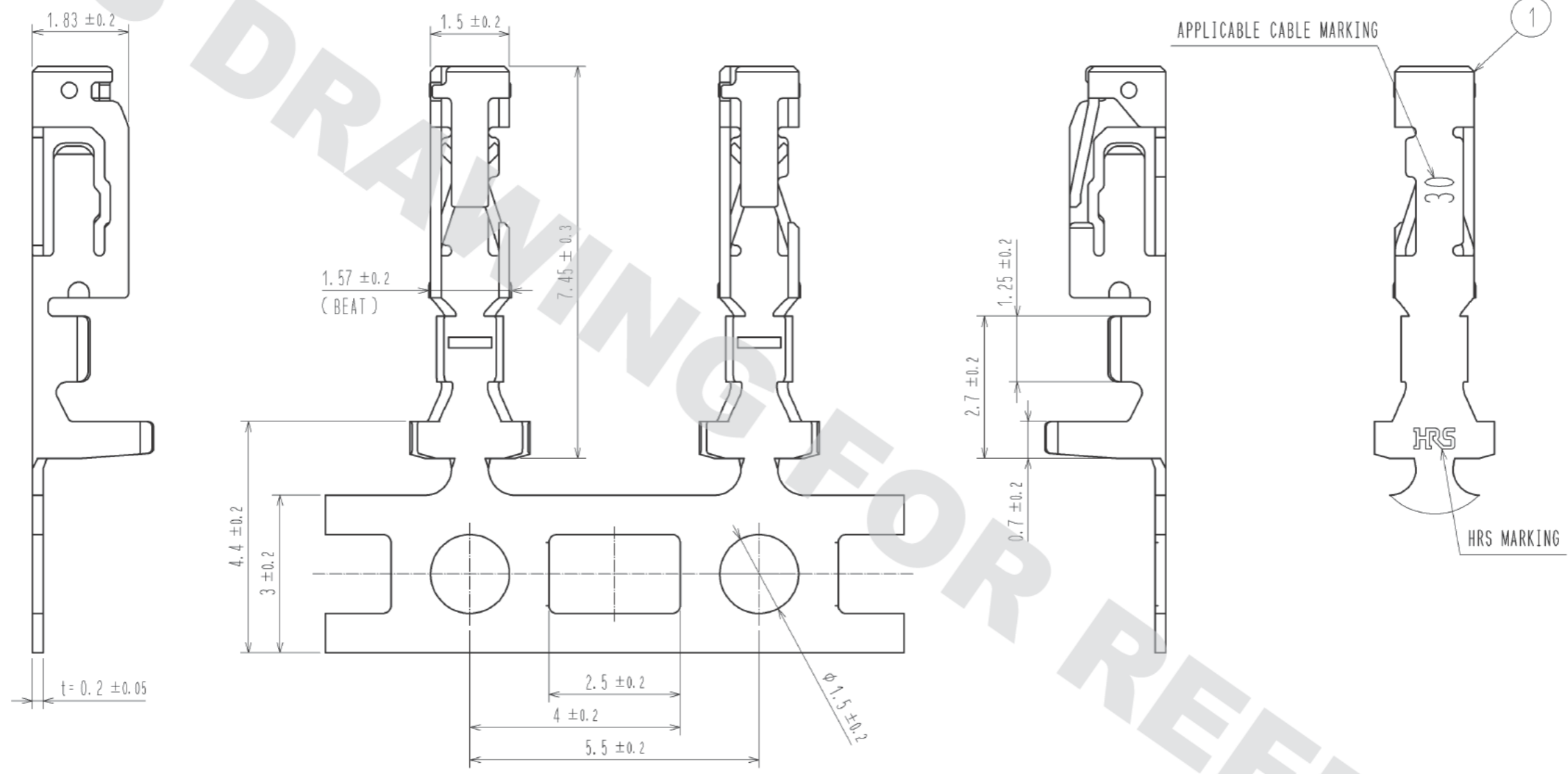
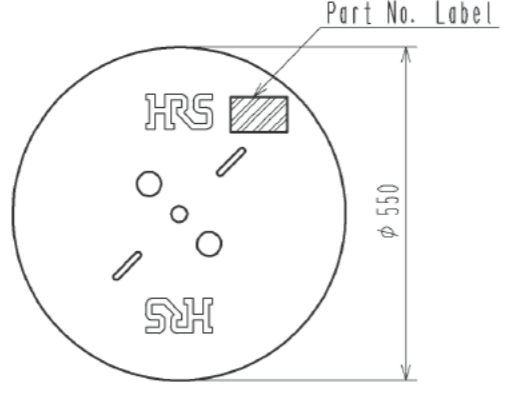


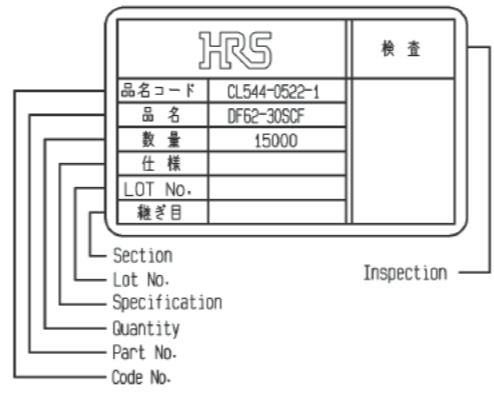
DRAWING FOR REFERENCE: This is subject to change without notice
05/31/2014



2 STYLE AND DIMENSION OF REEL



Detail of part No. Label



- NOTE 1. 1RL:15000 CONTACTS.
 2. STYLE OF REEL AND BOX ARE SHOWN IN FIGURE.
 3. A MAXIMUM OF 5 REELS ARE PACKED UP IN ONE BOX.
 4. PLEASE BE SURE TO CHECK THE FORM OF CRIMPING USING A CABLE. WHEN YOU ADJUST APPLICATOR.
 5. THE DIMENSIONS IN PARENTHESIS ARE FOR REFERENCE.

NO.	MATERIAL	FINISH . REMARKS	NO.	MATERIAL	FINISH . REMARKS
			1	PHOSPHOR BRONZE	TIN PLATING 1 μm MIN

UNITS	SCALE	COUNT	DESCRIPTION OF REVISIONS	DESIGNED	CHECKED	DATE
mm	10:1	△				
APPROVED : KI. AKIYAMA			14. 04. 26	DRAWING NO. EDC3-344683-00		
CHECKED : KI. AKIYAMA			14. 04. 26	PART NO. DF62-30SCF		
DESIGNED : TS. KUMAZAWA			14. 04. 25	CODE NO. CL544-0522-1-00		
DRAWN : TS. KUMAZAWA			14. 04. 25	△ 1/1		