

i-switch ISC Range Changeover Disconnecter Interiors 63A - 630A

i Changeover Disconnectors ISC Range (63A - 630A)



A modular design has created a compact range of on-load changeover switches suitable for a wide range of applications

Features:-

- On-load AC23A ratings.
- Windows for visual contact inspection.
- Three frame sizes covering 63A - 630A.
- Direct lug connection onto Cu palms.
- Supplied as 4 pole load break switches..
- IP65 sealing door interlocking handles.

Load Break Changeover Switches

Catalogue Numbers

Current rating	63A	100A	125A	160A	200A	250A	400A	630A
Frame size *	C1	C1	C1	C1	C2	C2	C3	C3
4 Pole	SCOD00634 /RS	SCOD01004 /RS	SCOD01254 /RS	SCOD01604	SCOD02004	SCOD02504	SCOD04004	SCOD06304

Operating Shaft

All operating shafts are manufactured from square section steel and zinc plated. The height setting is adjusted by passing the shaft through a bush in the load break switch mechanism and locking it in position using two 'cup point' grub screws.



Catalogue Numbers

Shaft Length 'L'		Load Break Switch Current Rating		
		63 - 160A	200 - 250A	400 - 630A
200mm		SSH6/RS	SSH6/RS	SSH5
400mm		SSH16	SSH16	SSH15
Shaft Section		12mm ²	12mm ²	12mm ²
Max. Possible	200mm	250	270	285
Enclosure depth	400mm	450	470	485

i Safety Features



Door Interlocked Handle Assembly

The door interlocked handle is of a stylish design in two sizes. Each handle is designed to take up to 3 padlocks in the 'Off' position (Ø6.4 max. hasp diameter). For emergency or testing situations there is an override facility available for use by a competent person. All handles are sealed to IP65 which will enable installations in a wide variety of environmental conditions.

Catalogue Numbers

	Load Break Switch Current Rating	
	63 - 250A	400 - 630A
Handle	SDH5/RS	SDH6
Handle length	145mm	220mm
Shaft section (□)	12mm	12mm

T e c h n i c a l D a t a S h e e t

i-switch ISC Range Changeover Disconnecter Interiors 63A - 630A

i Technical Specification

Changeover Switch Disconnectors

Data supplied against tests to BS EN 60947-3

Application	Sym.	Unit	Category	Rating (A)							
				63	100	125	160	200	250	400	630
Rated thermal current	I_{the}	A		63	100	125	160	200	250	400	630
Rated Insulation voltage	U_i	V		1000	1000	1000	1000	1000	1000	1000	1000
Rated impulse voltage	U_{imp}	kV		12	12	12	12	12	12	12	12
Rated operational current	I_e	A	415V - AC22A	63	100	125	160	200	250	400	630
			415V - AC23A	63	100	125	160	200	250	400	630
Rated making capacity (AC23A)		A	415V, 0.35 pf	630	1,000	1,250	1,600	2,000	2,500	4,000	6,300
Rated breaking capacity (AC23A)		A	415V, 0.35 pf	504	800	1,000	1,280	1,600	2,000	3,200	5,040
Short Circuit Current		kA	RMS (with fuses)	50	50	50	50	100	100	100	80
Rated S/C Making Capacity		A	Peak	10	10	10	10	30	30	40	50
Minimum mechanical endurance			Operations	10,000	10,000	10,000	10,000	10,000	10,000	10,000	10,000
Minimum electrical endurance			415V - at 0.65 pf	5,000	5,000	5,000	1,000	1,000	1,000	1,000	500
Connecting capacity		-	Terminal type								
		mm ²	Min/Max	95	95	95	120	240	240	300	400
		mm	Stud/Cu palm width	8/20	8/20	8/20	8/20	10/25	10/25	10/25	12/50
		Nm	Tightening torque	9	9	12	16	25	30	45	50

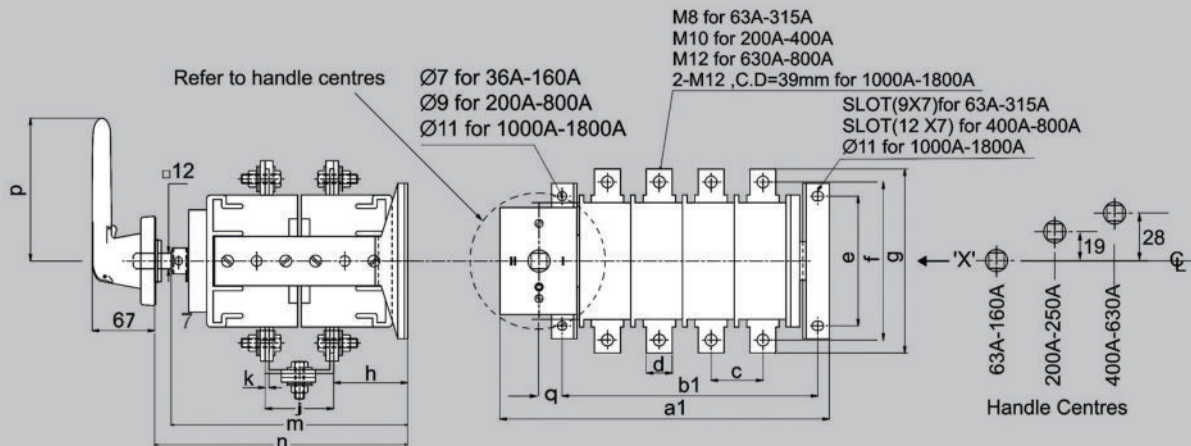
i Assembly Options

Rating (A)	Main Switch	Operating Shaft		Door Interlock Handle	Terminal Cover (screwed)
		200mm	400mm		
63	✓	SSH6	SSH16	SDH5	N/A
100	✓				
125	✓				
160	✓				
200	✓				
250	✓	SSH5	SSH15	SSDH6	N/A
400	✓				
630	✓				

i-switch ISC Range Changeover Disconnecter Interiors 63A - 630A

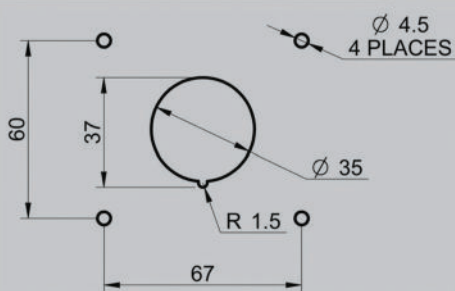
Dimensions

i Load Break Changeover Switch Disconnectors refers to page 1

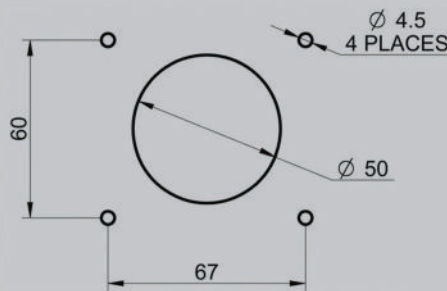


Rating	a1	b1	c	d	e	f	g	h	j	k	m	n	p	q	frame size
63A	255.5	198.5	40	20	100	122	142	58	51	2.0	182.5	195-295	145	18	C1
80A	255.5	198.5	40	20	100	122	142	58	51	2.0	182.5	195-295	145		
100A	255.5	198.5	40	20	100	122	142	58	51	2.0	182.5	195-295	145		
125A	255.5	198.5	40	20	100	122	142	57	53	3.0	182.5	195-295	145		
160A	255.5	198.5	40	20	100	122	142	57	53	3.0	182.5	195-295	145		
200A	309.5	252	61	25	124	138	163	65.5	81	4.0	242	255-355	145	26	C2
250A	309.5	252	61	25	124	138	163	65.5	81	4.0	242	255-355	145		
400A	352	276	70	25	150	180	205	85	96	4.0	262	300-400	220	26	C3
630A	352	276	70	40	150	185	223	84	98	5.0	262	300-400	220		

i Door Interlocking Handle Fixings



Handle Ref SDH1



Handle Refs SDH2-6 (Page 1)