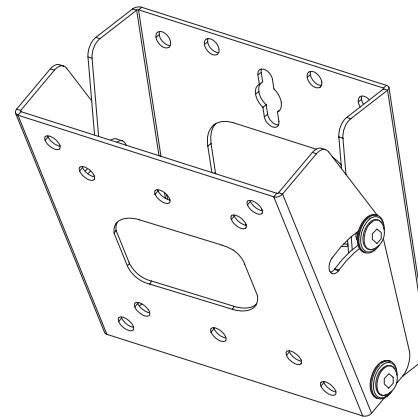


# Installation guide

Thank you for choosing OMP Global Style.



**omp**  
AMERICAS

200 Norfinch Drive  
Toronto, Ontario,  
Canada  
M3N 1Y4

Tel: 1-416-667-9909  
Email: [americas@omp-global.com](mailto:americas@omp-global.com)

**omp**  
EUROPE/MIDDLE EAST

Common Lane  
Setchey, Kings Lynn  
Norfolk, PE33 0AT  
England

Tel: 44-1553-813-300  
Email: [europe@omp-global.com](mailto:europe@omp-global.com)

**omp**  
ASIA PACIFIC

1D Quadrant Dr,  
Gracefield,  
Lower Hutt, 5010  
New Zealand

Tel: 64-4-586-6677  
Email: [asiapacific@omp-global.com](mailto:asiapacific@omp-global.com)

[www.omp-global.com](http://www.omp-global.com)

**omp**  
GLOBAL STYLE™



STEP 2

## SELECT THE CORRECT MOUNTING HARDWARE FOR YOUR TELEVISION

Select the correct mounting screws, either (G) or (H). The M7216 can be mounted tilt up or tilt down.

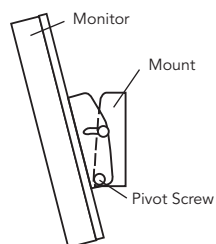
**CAUTION:** Always make sure the television is unplugged before threading any bolt into the back panel! First find the screw holes in the television's back, then select the screws that fit the screw holes dimension.

**IMPORTANT:** If you cannot find the screws that fit your television, please contact your local hardware shop.

STEP 3

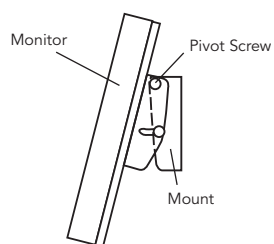
## DETERMINE THE TILT DIRECTION AND ATTACH TO TELEVISION

To have the monitor tilt up, the monitor plate should be attached to the monitor with the pivot screw at the top, as shown in fig. 2.2. To have monitor Tilt down, the monitor plate should be attached to the monitor with the pivot screw at the bottom, as shown in fig. 2.1.



Tilt Down

fig. 2.1



Tilt Up

fig. 2.2

## MOUNTING INSTALLATION INSTRUCTIONS

Designed for small flat panels (10" - 24") to install to a vertical wall.  
Maximum load capacity: 18kg (40lbs).

### CAUTION:

If you do not understand these instructions, or have doubts about the safety of the installation, please call a qualified installer or contact us. We will provide assistance for any safety issues and resolve any missing component problems. Please check carefully to make sure there are no missing or defective parts. Do not use components with defects, as wrong installation may lead to component damage or serious injury to the user. Do not use this product for any purpose other than the original intended use. The hardware supplied for this product cannot be used on a steel stud wall, old cinder block wall or a hollow wall. If you cannot determine the nature of a wall, please consult a qualified installer. Our company will not be held responsible for damage or loss caused by wrong installation or assembly. Regular cleaning of this product with a clean dry cloth is usually sufficient, but for stubborn marks, wipe over gently with a clean damp cloth. Never use strong detergents or abrasives, as these may damage the surface. There are many small components used in the construction of this unit, these loose items should be kept away from young children whilst assembling your unit. Do not exceed the maximum weight capacity for this product. Your installer is responsible for ensuring the safe installation of this product.

## COMPONENTS

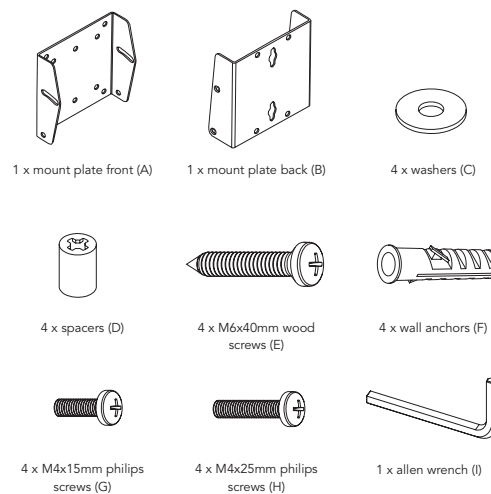


fig. 1

**CAUTION:**

Our company accepts responsibility for the safety of the mount and the television link, but does not accept responsibility for the link between the mount and the wall.

**NECESSARY TOOLS:**

Studfinder, drill bits and masonry drill bits for concrete installation, a 14mm (11/20") ratchet wrench, Philips head screwdriver and a level. The components and the attachments of this product are shown in fig. 1.

**STEP 1**

**INSTALLATION OF THE WALL PLATE TO THE WALL**

**Disassemble the monitor plate (A) from the wall plate (B).**

Four installation choices are covered below: wood stud, brick, solid concrete and concrete block.

**Wood stud installation:**

Using an electronic stud finder, locate the centre of the wooden stud. Position the wall plate (B) in desired mounting location over stud. Level the wall plate with a bubble level, and then using the wall bracket as a template, mark mounting hole locations over the centre of the stud. Drill 2 mounting holes into the stud using a 4mm (5/32") drill bit.

**Brick, solid concrete and concrete block installation:**

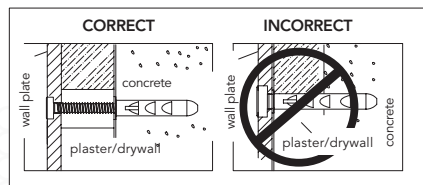
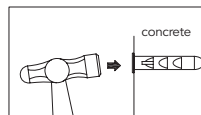
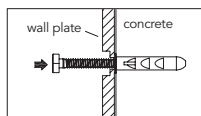
Position the wall plate (B) into the desired mounting location on the wall. Level the wall plate (B) with a bubble level, and then using the wall bracket as a template mark mounting hole locations on wall. Drill two mounting holes using a 9mm (5/16") masonry bit. Insert wall anchors (F) into the mounting holes and lightly tap them flush to the wall with a hammer.

**CAUTION:** Wall Anchors should only be used for masonry mounting. NEVER use wall anchors to mount the M7216 to a drywall.

**WARNING**

When installing the wall mount onto a solid concrete wall, verify that you have a minimum of 35mm (1 3/8") of actual concrete thickness in the hole to be used for the concrete anchors. Do not drill into mortar joints! Be sure to mount in a solid part of the wall. It is suggested that a standard electric drill on a slow setting is used to drill the hole, instead of a hammer drill. The concrete must be 2000PSI minimum density.

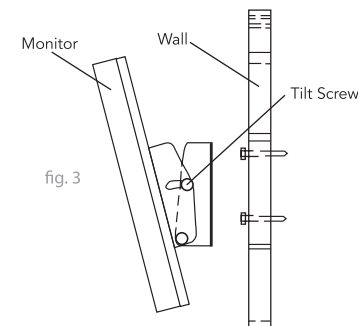
The anchors must be seated firmly against the concrete or masonry. If mounting to a masonry wall covered with drywall/plaster, counter bore a hole through the drywall/plaster around the mounting hole location, so that the anchor can be seated directly against concrete or masonry.



**STEP 4**

**INSTALLATION OF WALL PLATE ONTO THE MONITOR PLATE**

Install the wall plate onto the monitor plate using the supplied screws and nylon washers. Carefully hang the monitor, by sliding the keyhole slots on the wallplate over the protruding screws, as indicated in fig. 3. Tighten the screws holding the wall plate. Tilting the monitor away from the wall will improve the access to the wall mounting screws.



**CAUTION:** Some television's are heavy, please lift and place carefully. We will not be held responsible for any accidental damage.

**STEP 5**

**ADJUST TENSION OF TILT SCREW**

You can adjust the tension of the tilt screw (fig. 3) to provide a desired degree of adjustability. Tighten completely to lock the tilt mechanism.