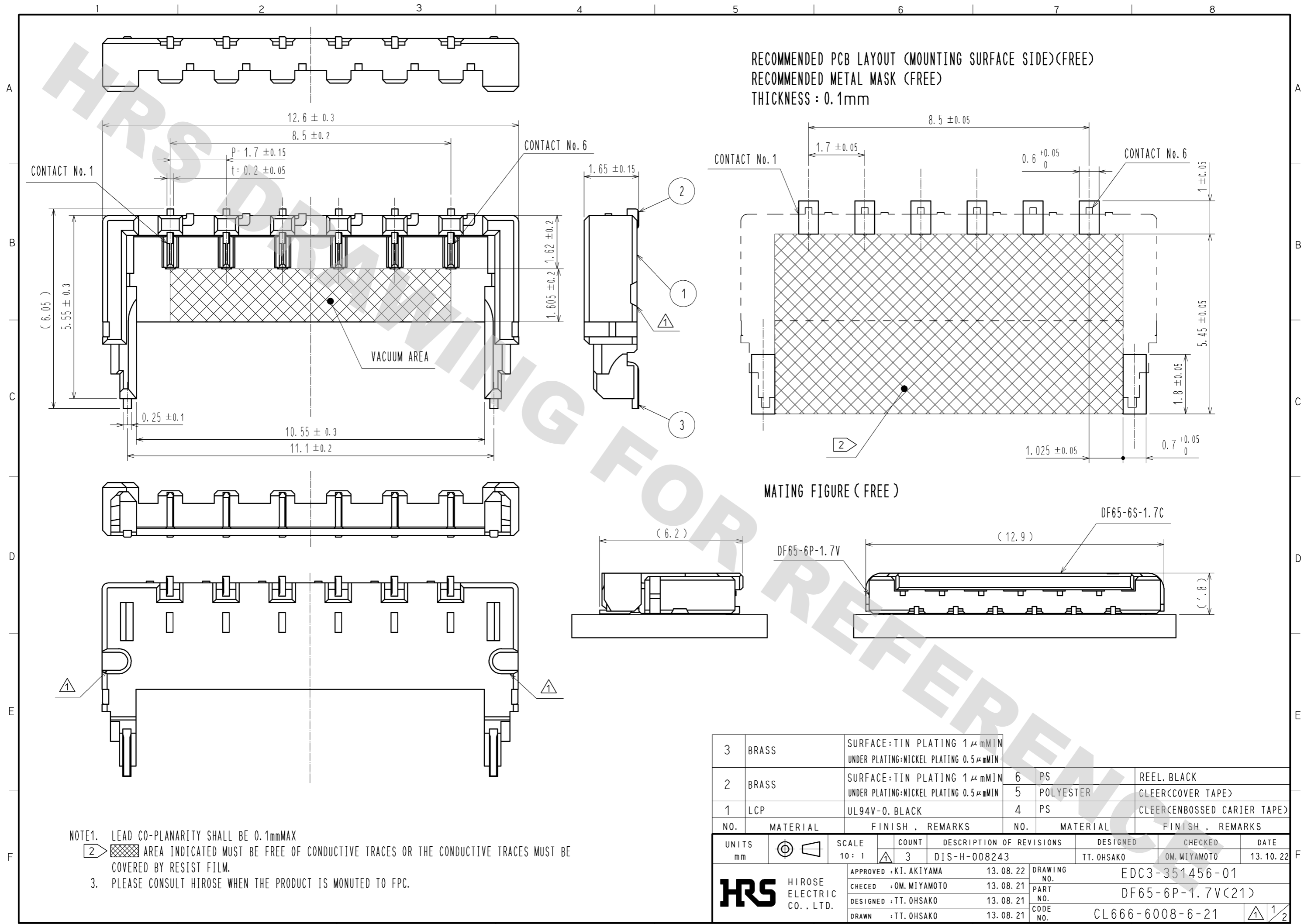


DRAWING FOR REFERENCE: This is subject to change without notice
12/05/2013



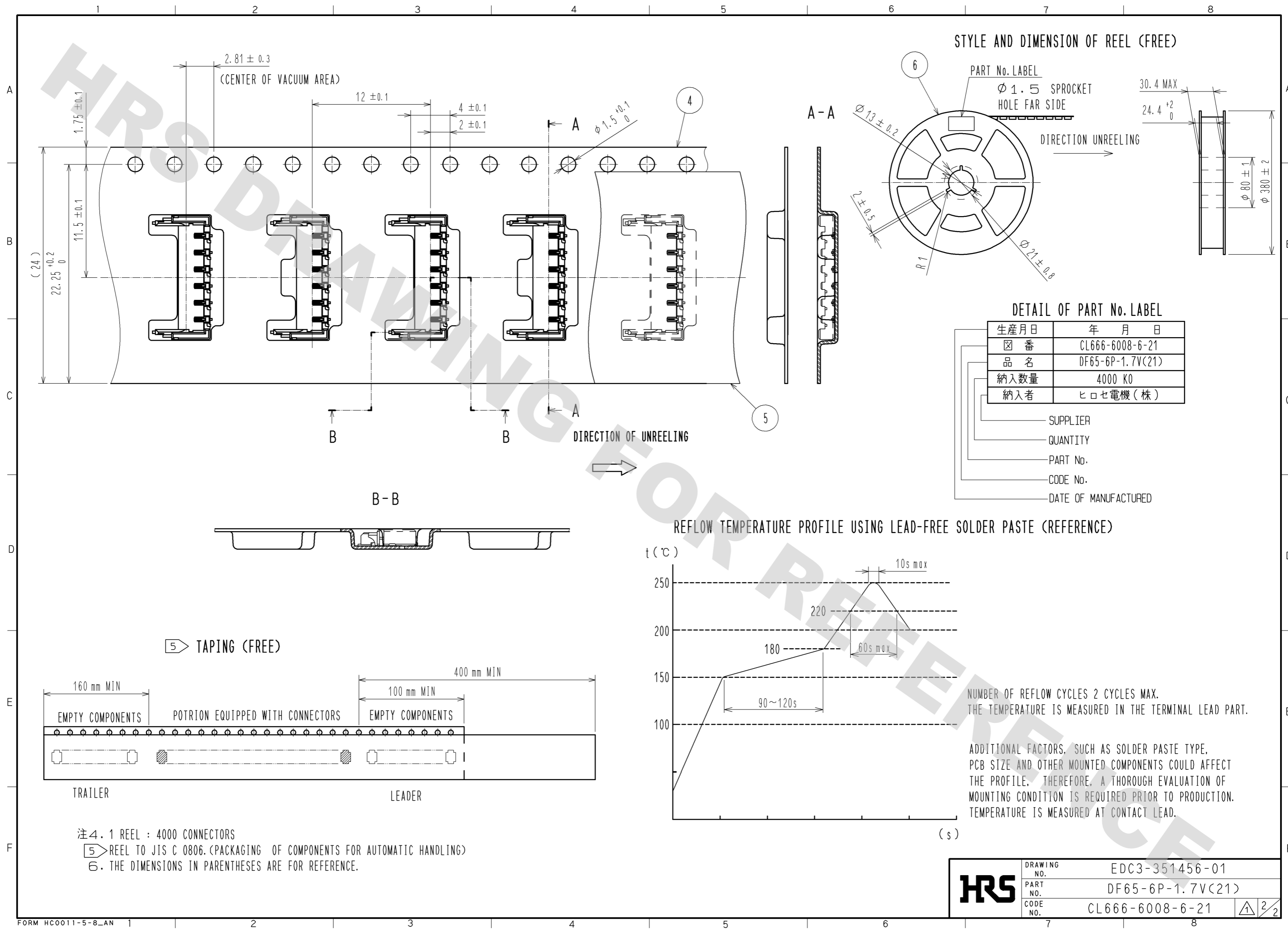
RECOMMENDED PCB LAYOUT (MOUNTING SURFACE SIDE)(FREE)
RECOMMENDED METAL MASK (FREE)
THICKNESS : 0.1mm

MATING FIGURE (FREE)

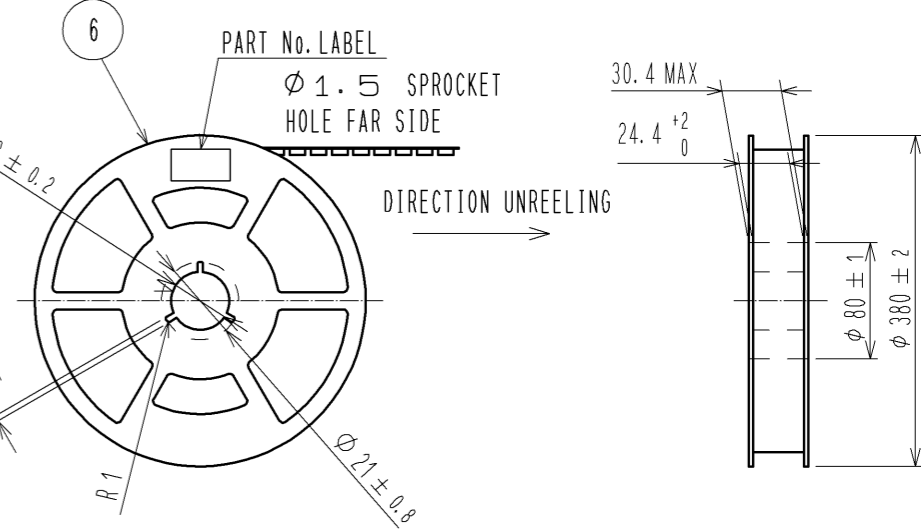
NOTE1. LEAD CO-PLANARITY SHALL BE 0.1mmMAX
 2. AREA INDICATED MUST BE FREE OF CONDUCTIVE TRACES OR THE CONDUCTIVE TRACES MUST BE COVERED BY RESIST FILM.
 3. PLEASE CONSULT HIROSE WHEN THE PRODUCT IS MOUNTED TO FPC.

3	BRASS	SURFACE:TIN PLATING 1 μmMIN UNDER PLATING:NICKEL PLATING 0.5 μmMIN					
2	BRASS	SURFACE:TIN PLATING 1 μmMIN UNDER PLATING:NICKEL PLATING 0.5 μmMIN	6	PS	REEL. BLACK		
1	LCP	UL94V-0. BLACK	5	POLYESTER	CLEER(COVER TAPE)		
			4	PS	CLEER(CENBOSSED CARRIER TAPE)		
NO.	MATERIAL	FINISH . REMARKS	NO.	MATERIAL	FINISH . REMARKS		
UNITS	mm	SCALE	10 : 1	COUNT	3	DESCRIPTION OF REVISIONS	DIS-H-008243
		DESIGNED	TT. OHSAKO	CHECKED	OM. MIYAMOTO	DATE	13.10.22
APPROVED : KI. AKIYAMA		13.08.22		DRAWING NO.		EDC3-351456-01	
CHECED : OM. MIYAMOTO		13.08.21		PART NO.		DF65-6P-1.7V(21)	
DESIGNED : TT. OHSAKO		13.08.21		CODE NO.		CL666-6008-6-21	
DRAWN : TT. OHSAKO		13.08.21					

DRAWING FOR REFERENCE: This is subject to change without notice
12/05/2013



STYLE AND DIMENSION OF REEL (FREE)

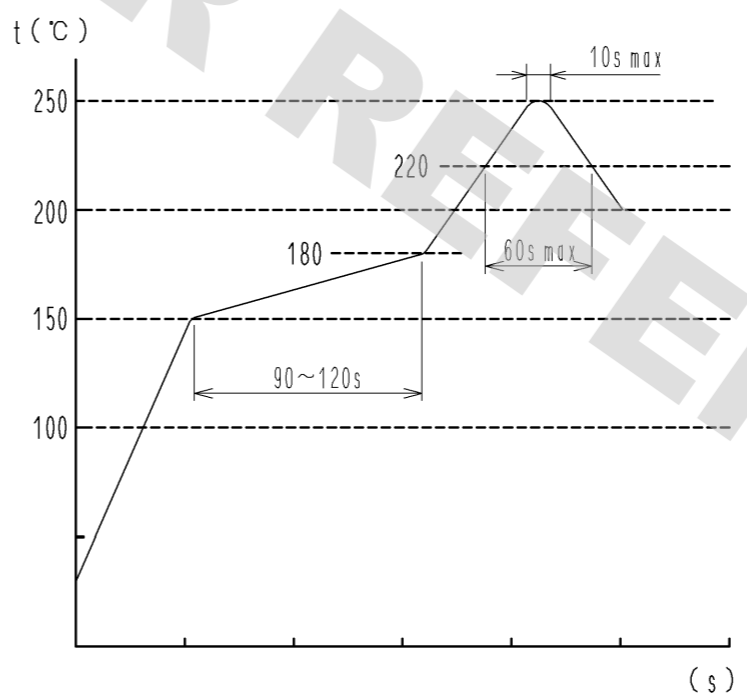


DETAIL OF PART No. LABEL

生産月日	年 月 日
箱 番	CL666-6008-6-21
品 名	DF65-6P-1.7V(21)
納入数量	4000 KO
納入者	ヒロセ電機(株)

- SUPPLIER
- QUANTITY
- PART No.
- CODE No.
- DATE OF MANUFACTURED

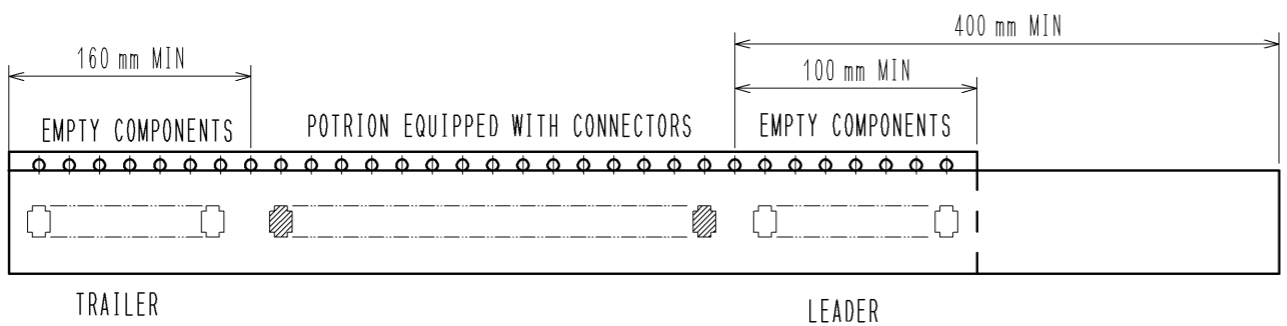
REFLOW TEMPERATURE PROFILE USING LEAD-FREE SOLDER PASTE (REFERENCE)



NUMBER OF REFLOW CYCLES 2 CYCLES MAX.
THE TEMPERATURE IS MEASURED IN THE TERMINAL LEAD PART.

ADDITIONAL FACTORS, SUCH AS SOLDER PASTE TYPE,
PCB SIZE AND OTHER MOUNTED COMPONENTS COULD AFFECT
THE PROFILE. THEREFORE, A THOROUGH EVALUATION OF
MOUNTING CONDITION IS REQUIRED PRIOR TO PRODUCTION.
TEMPERATURE IS MEASURED AT CONTACT LEAD.

5 TAPING (FREE)



注4. 1 REEL : 4000 CONNECTORS
5 REEL TO JIS C 0806. (PACKAGING OF COMPONENTS FOR AUTOMATIC HANDLING)
6. THE DIMENSIONS IN PARENTHESES ARE FOR REFERENCE.

HRS	DRAWING NO.	EDC3-351456-01
	PART NO.	DF65-6P-1.7V(21)
	CODE NO.	CL666-6008-6-21
		1/2