

## DECOSTAR 51 TITAN 20 W 12 V 36° GU5.3

DECOSTAR 51 TITAN | Halogen longlife dichroic reflector lamps 51 mm and glass panel



### Areas of application

- General illumination
- Shops
- Restaurants, hotels and similar prestigious applications
- Offices, public buildings

### Product benefits

- Brilliant accent light
- Constant bluish appearance of the light escaping at the back of the reflector
- Dichroic reflector reduces the heat in the light beam by up to 66 %
- Constant luminous intensity and constant color location throughout their life
- Flat clear shield
- Approved for use in open luminaires (to IEC 60598-1)
- UV filter
- Contains no mercury

### Product features

- Average life: 4,000 h
- Dimmable
- Color rendering index  $R_a$ : 100
- Color temperature: 3,000 K



# Product datasheet

## Technical data

### Electrical data

Nominal wattage	20.0 W
Nominal voltage	12.0 V
Rated wattage	20.00 W
Power factor $\lambda$	1.00

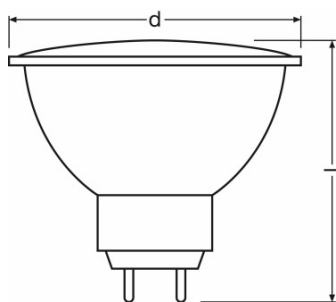
### Photometrical data

Nominal useful luminous flux 90°	250 lm
Luminous intensity	780 cd
Color temperature	3000 K
Light color (designation)	Warm White
Color rendering index Ra	100
Rated useful luminous flux 90°	250 lm

### Light technical data

Beam angle	36 °
Starting time	0.0 s
Warm-up time (60 %)	0.00 s

### Dimensions & weight



Diameter	51.0 mm
Length	46.0 mm
Overall length	46.0 mm
Outer bulb	MR51
Maximum diameter	51.0 mm

### Lifespan

## Product datasheet

Nominal lamp life time	4000 h
Rated lamp life time	4000 h
Number of switching cycles	100000 <sup>1)</sup>
Lumen main.fact.at end of nom.life time	0.75

<sup>1)</sup> At 1 min on / 3 min off

### Additional product data

Base (standard designation)	GU5.3
Lamp mercury content	0.0 mg
Mercury-free	Yes

### Capabilities

Burning position	Any
Dimmable	Yes

### Certificates & standards

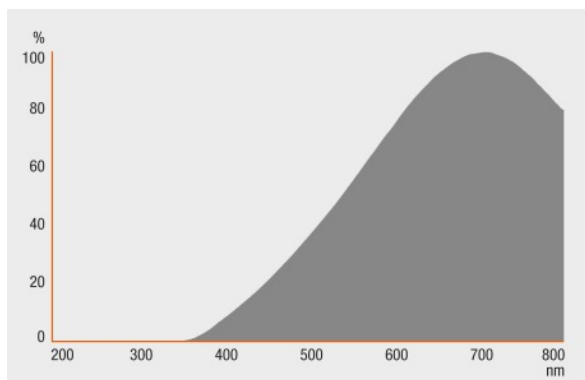
Energy efficiency class	B
Energy consumption	22 kWh/1000h

### Country specific categorizations

ILCOS	HRGS//UB-20-12-GU5.3-51/36
-------	----------------------------

## Light Distribution

---



---

## Spectral power distribution

---

## Logistical Data

Product code	Product description	Packaging unit (Pieces/Unit)	Dimensions (length x width x height)	Volume	Gross weight
4050300428659	DECOSTAR 51 TITAN 20 W 12 V 36° GU5.3	Shipping carton box 20	238 mm x 122 mm x 109 mm	3.16 dm <sup>3</sup>	896.00 g
4052899028029	DECOSTAR 51 TITAN 20 W 12 V 36° GU5.3	Shipping carton box 20	290 mm x 254 mm x 134 mm	9.87 dm <sup>3</sup>	932.00 g

The mentioned product code describes the smallest quantity unit which can be ordered. One shipping unit can contain one or more single products. When placing an order, for the quantity please enter single or multiples of a shipping unit.

---

## References / Links

For light distribution curves see

- ▶ [www.osram.com](http://www.osram.com)

---

## Disclaimer

Subject to change without notice. Errors and omission excepted. Always make sure to use the most recent release.