

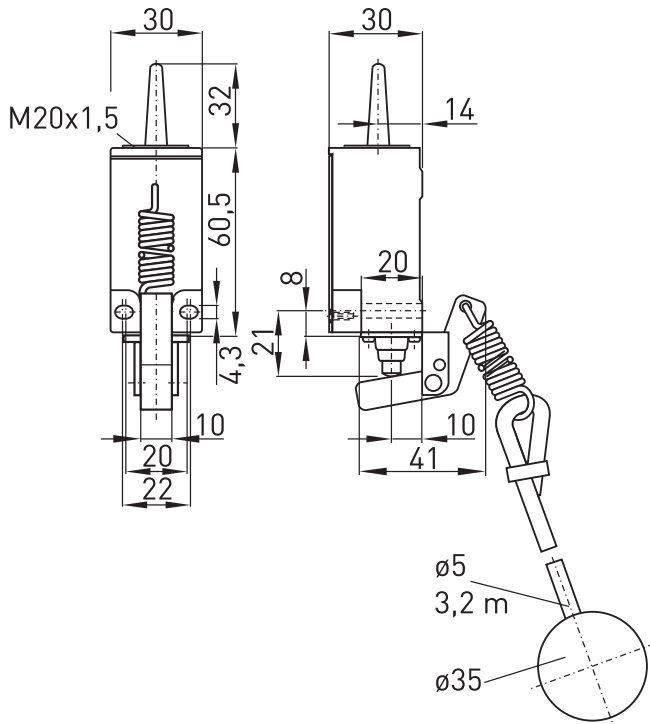
Industrial switchgear with radio technology // Radio pull-wire switch EF 95 WH/90°

Features/options

- Thermoplastic enclosure
- Transversely slotted mounting holes
- To EN 50 047
- Serial data output, output signal high on actuation
- EnOcean-protocol

- Data rate 120 kbps
- No power supply, no wiring and pipe laying required
- Multi-network capable
- Easy programming of receiver

Dimensions



Technical Data

Standards	IEC/EN 60947-5-1
Enclosure	Glassfibre reinforced thermoplastic, self-extinguishing UL 94-V0
Cover	Glassfibre reinforced thermoplastic, self-extinguishing UL 94-V0
Protection class	IP 67 per IEC 60529
Protocol	EnOcean
Ambient temperature	-20 °C ... +65 °C
Switching frequency	approx. 6000 telegrams at repetitions/h
Voltage supply	Electrodynamic energy generator
Frequency	868.3 MHz
Transmission power	max. 10 mW
Data rate	120 kbps
Bandwidth channel	280 kHz
Sensing range	max. 300 m outside
Actuating time	min. 60 ms
Note	no presence signal available

Errata and technical changes reserved.