



**Legend plate label mount**

**Part no.** **M22S-ST-GB1**  
**Article no.** **216495**



Powering Business Worldwide™

**Catalog No.** **M22S-ST-GB1Q**

**Delivery programme**

|                            |  |    |   |
|----------------------------|--|----|---|
| Product range              |  |    | RMQ-Titan (drilling dimensions 22.5 mm) |
| Basic function             |  |    | Accessories                             |
| Basic function accessories |  |    | Legend holder                           |
| Single unit/Complete unit  |  |    | Single unit                             |
|                            |  |    | Complete                                |
| Width                      |  | mm | 30                                      |
| Height                     |  | mm | 50                                      |
| Design                     |  |    | Round                                   |
| Colour                     |  |    |   |
|                            |  |    | Black                                   |
| RAL Value                  |  |    | RAL 9005                                |
| Inscription                |  |    | START                                   |
| Protection type            |  |    | IP66                                    |
| Connection to SmartWire-DT |  |    | no                                      |

**Approvals**

North America Certification

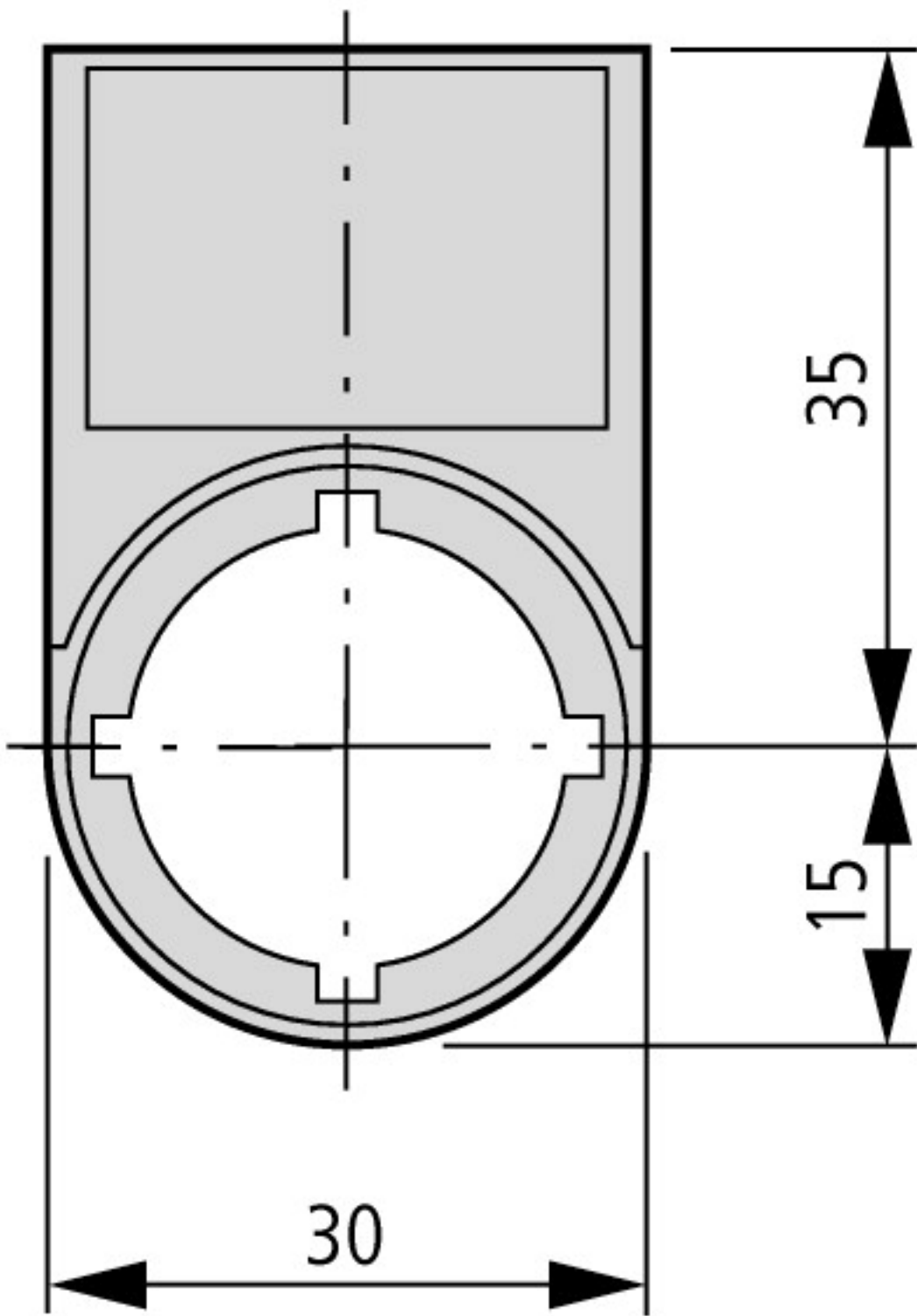
UL/CSA certification not required

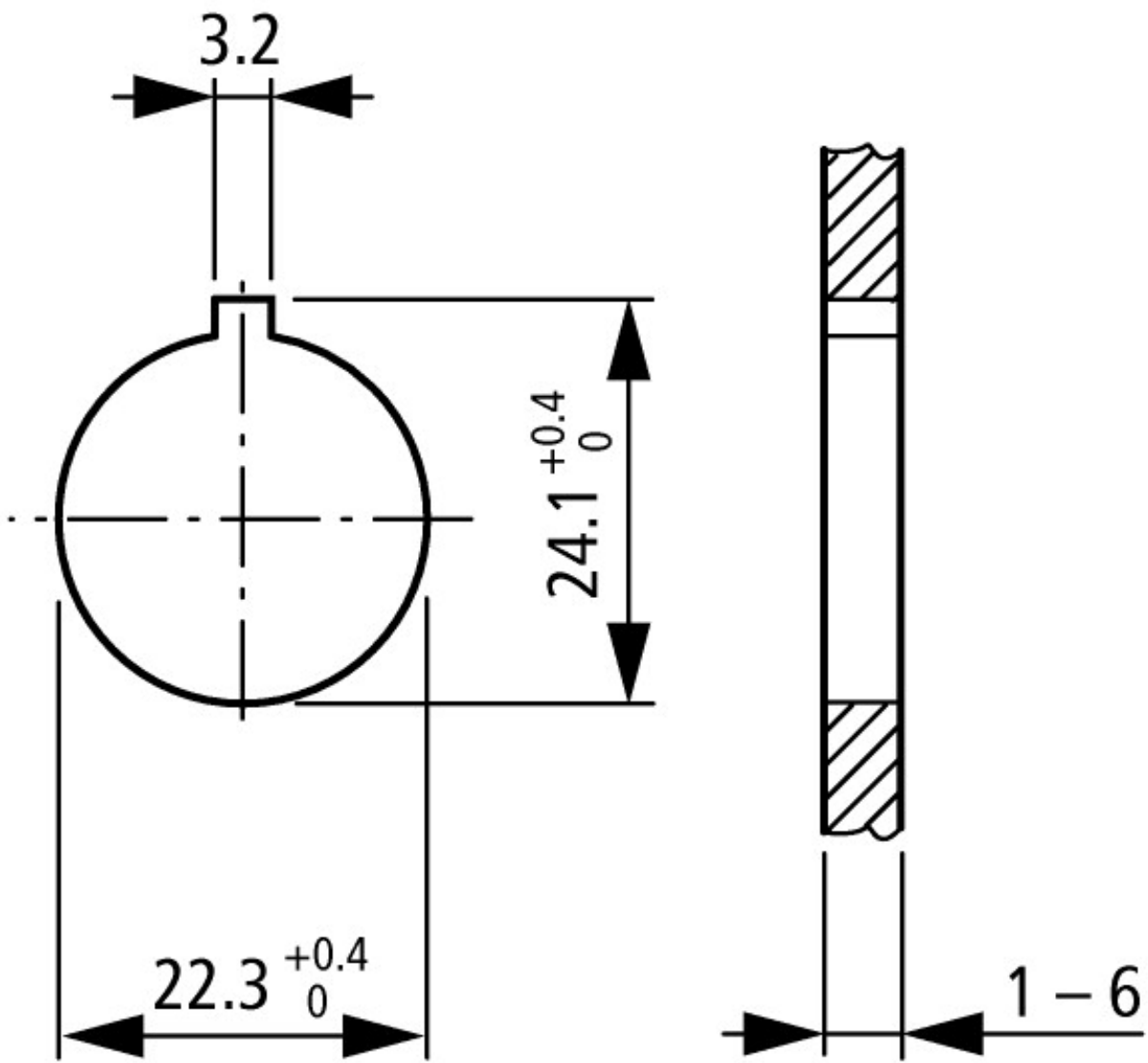
**Technical data ETIM 5.0**

Low-voltage industrial components (EG000017) / Text plate holder for control circuit devices (EC001032)  
 Electric engineering, automation, process control engineering / Low-voltage switch technology / Command and alarm device / Sign carrier for command devices  
 (eci@ss8-27-37-12-29 [AKF047010])

|                      |  |    |             |
|----------------------|--|----|-------------|
| Width                |  | mm | 30          |
| Height               |  | mm | 50          |
| Hole diameter        |  | mm | 22          |
| Width opening        |  | mm | 22          |
| Height meter opening |  | mm | 0           |
| Colour               |  |    | Black       |
| Shape                |  |    | Rectangular |

**Dimensions**





Mounting hole with lug slot

Actuating and indicator elements

### Additional product information (links)

IL04716002Z (AWA1160-1745) RMO-Titan System

IL04716002Z (AWA1160-1745) RMO-Titan System

[ftp://ftp.moeller.net/DOCUMENTATION/AWA\\_INSTRUCTIONS/IL04716002Z2013\\_08.pdf](ftp://ftp.moeller.net/DOCUMENTATION/AWA_INSTRUCTIONS/IL04716002Z2013_08.pdf)