

# Product Information



## 8478UOO080P62

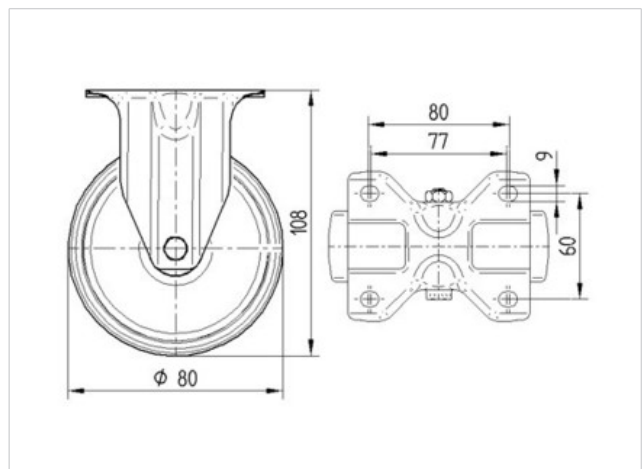
EAN 4031582313383

Fixed castor, Fork made of Stainless Steel, wheel axle with nut, plate fitting.

Wheel centre made of Polyamide, plain bearing

### Technical Data

Wheel diameter	80 mm
Width of Tread	34 mm
Size of Plate	100 x 85 mm
Plate hole centres	80/77 x 60 mm
Plate hole	9 mm
Overall height	108 mm
Temperature	- 40 / + 80 °C
Standard	EN 12532
Weight	0.376 kg
Hardness of tread	D 75 Shore
Load capacity	200 kg
Load capacity (static)	400 kg



Roll performance	+	+	+	+	+
Movement noise	+	+	+	+	+
Attrition	+	+	+	+	+
Corrosion resistance	+	+	+	+	+

# Product Information



## 8478UOO080P62

EAN 4031582313383

