

ITP125x50-Ø20 flat

EAN 4031582070316

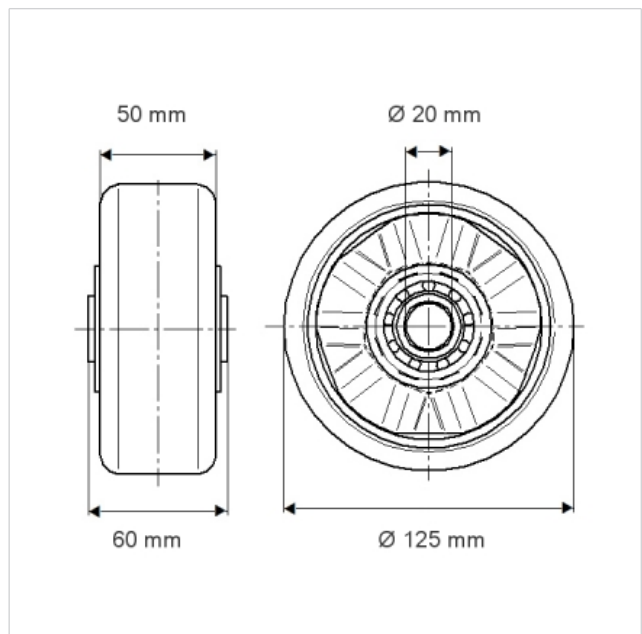
Wheel centre made of Aluminium, Tread:
Polyurethane, casted, precision ball bearing

Technical Data

Wheel diameter	125 mm
Width of Tread	50 mm
Axle Hole-Ø	20 mm
Hub length	60 mm
Temperature	- 20 / + 60 °C
Standard	EN 12532
Weight	0.804 kg
Hardness of tread	A 92 Shore
Load capacity	500 kg
Load capacity (static)	1000 kg



Roll performance	+	+	+	+	+
Movement noise	+	+	+	+	+
Attrition	+	+	+	+	+
Corrosion resistance	+	+	+	+	+





ITP125x50-Ø20 flat

EAN 4031582070316

