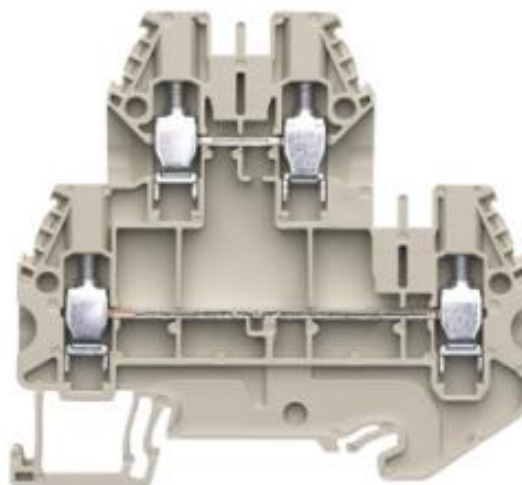


Datasheet

Art.No. 58.504.7055.5

Multi-tier terminal WT 4 E RD

Multi-tier terminal block with screw connection for mounting on TS 35; nominal cross section 4 mm²; width 6 mm; color red



Art.No.	58.504.7055.5
EAN	4049088180583
Order unit	100 pieces

Approvals



Technical data

General

Nominal cross section	4 mm ²
Colour	Red
Number of levels	2
Number of clamp positions per level	2
Width/grid dimension	6 mm
Insulating housing	PA666
Inflammability class of insulation material acc. with UL94	V0
Mounting method	DIN rail (top hat rail)
Terminal blocks for electrical installations	No

Technical data

Rated current	32 A
Rated voltage	800 V
Rated impulse voltage	8 kV
Pollution degree	3
Closing plate required	Yes
Type of insulation material	Thermoplastic
Length	59 mm

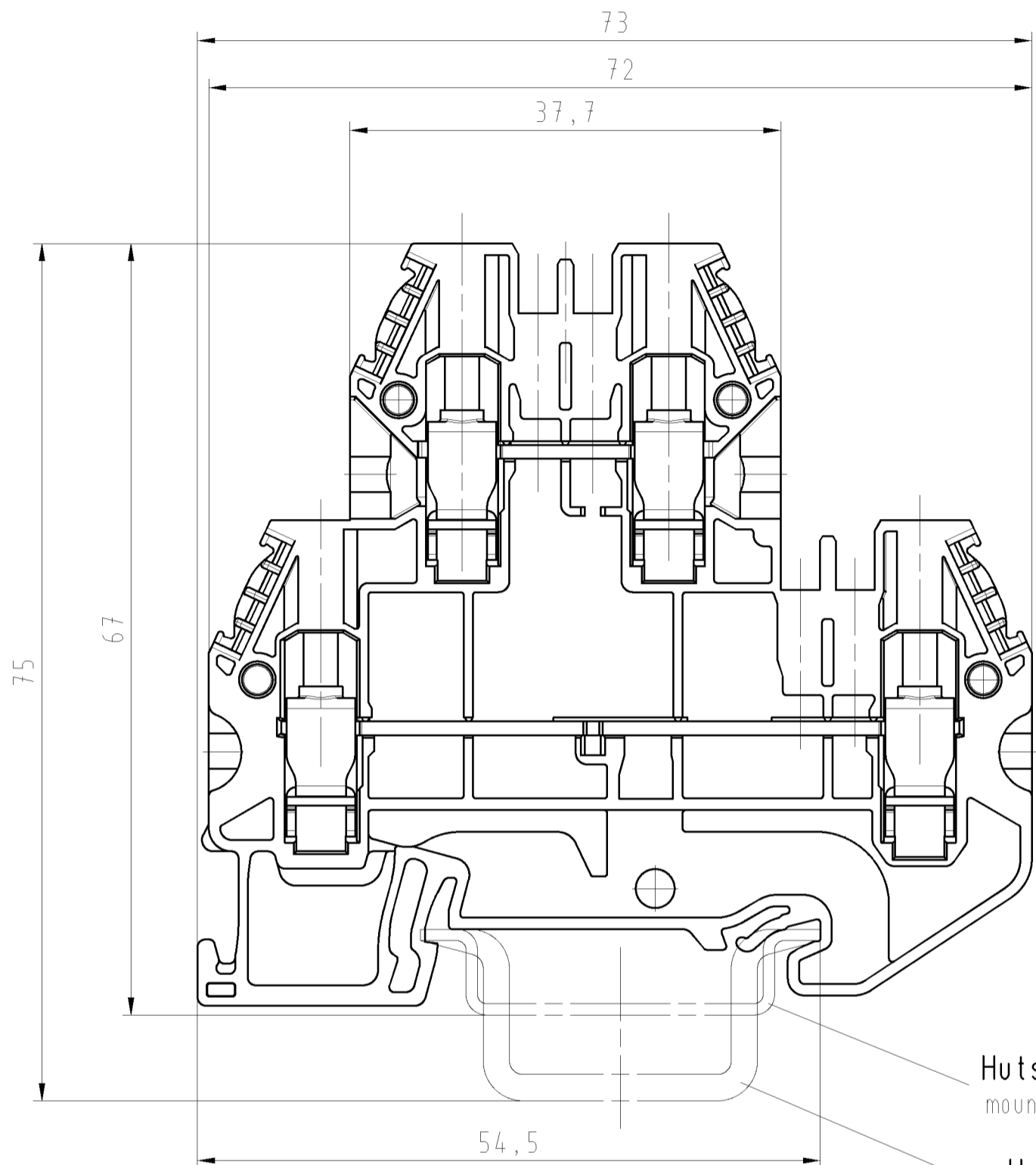
Connection Data

Connection type 1	Screw connection
Connection type 2	Screw connection
Minimum cross section solid	0.14 mm ²

Maximum cross section solid	6 mm ²
Minimum cross section fine stranded	0.14 mm ²
Maximum cross section fine stranded	6 mm ²
Maximum conductor cross section (flex., stranded) with cable end sleeve	0.5 mm ²
Maximum conductor cross section (flex., stranded) with cable end sleeve	4 mm ²
Wire strip length	9 mm
Torque conductor mounting	0.5 Nm

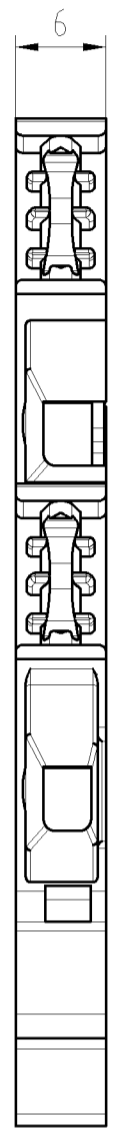
Technical Data UL/CSA

Cross section UL	26-10 AWG
Voltage UL	300 V
Current factory wiring	30 A
Current field wiring	30 A
Cross section CSA	26-10 AWG
Voltage CSA	300 V
Current CSA	30 A

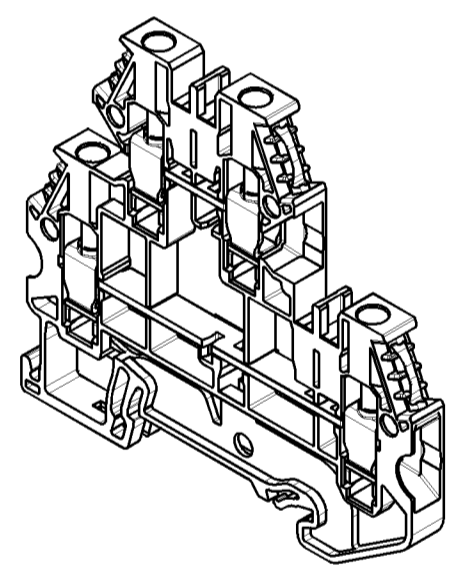


Hutschiene EN 60715-35x7,5
mounting rail EN 60715-35x7,5

Hutschiene EN 60715-35x15
mounting rail EN 60715-35x15



M/scale 1:1



Teile-Nr. part-no.	Farbe color
58.504.7055.0	grau grey
58.504.7055.5	rot red
58.504.7055.6	blau blue
58.504.7055.9	orange orange

Tolerierung Size ISO 14405/Tolerance system Size ISO 14405 [This ISO-standard describes the envelope principle. According to the envelope principle the deviations of form and parallelism are limited by the size tolerances].		ja/yes <input checked="" type="checkbox"/> Stoffverbots- und Deklarationsliste nach UU-TOM-05/03 ist einzuhalten. Conformity with Wieland document UU-TOM-05/03 (list of prohibited / declarable hazardous substances) to be declared!	
Freitoleranz nach General tolerance		CAD - Zeichnung, keine manuellen Änderungen CAD - drawing, no manual modifications allowed	
Blatt: 1 von Sheet: 1 of 1		1. Verwendung: First Use: -	
/		Zeichnung Nr./Drawing No.	
/		Index	
/		T 58.504.7055.0 01K	
/		Maße in mm/Dimensions are in mm	
/		Ersatz für/Replacement for: -	
/		Type	
/		Benennung/Title	
/		wieland	
/		Elektrische Verbindungen	
/		WT 4 E	
/		ETAGENKLEMME	
/		Double deck terminal block	
Index Datum / Blatt Date / Sheet			
Änderung/Revision			

These dimensions will be especially checked at delivery
Only inspection dimensions
With \pm marked dimensions are only valid for internal use

Diese Maße werden bei Abnahme besonders geprüft
Ausschließlich Prüfmaße
Mit \pm gekennzeichnete Maße sind nur für interne Zwecke gültig