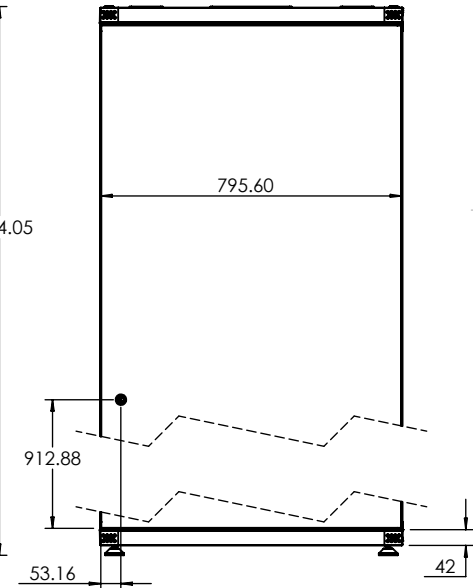
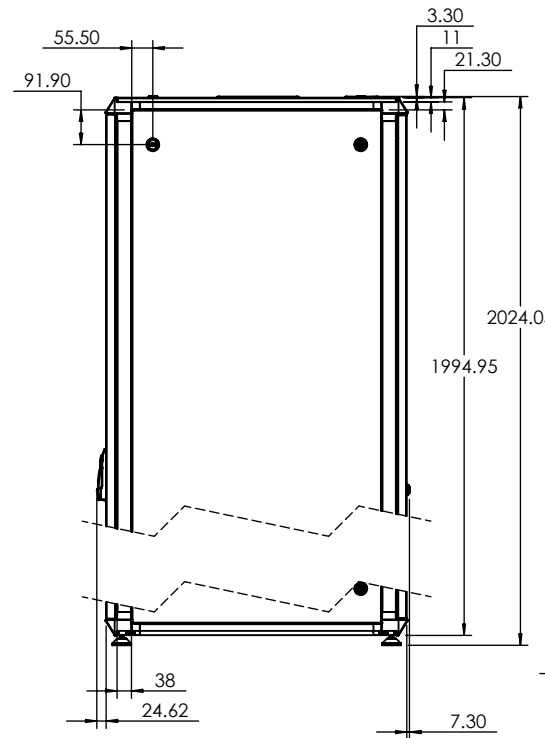
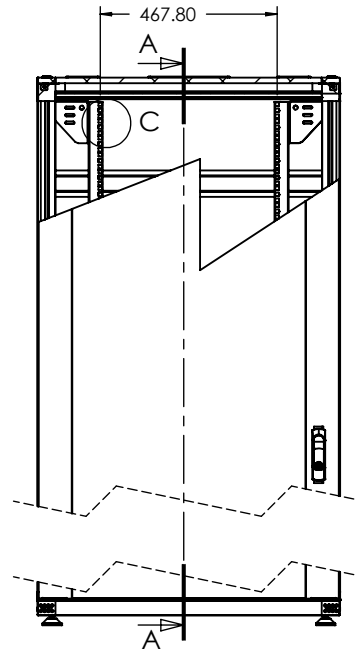
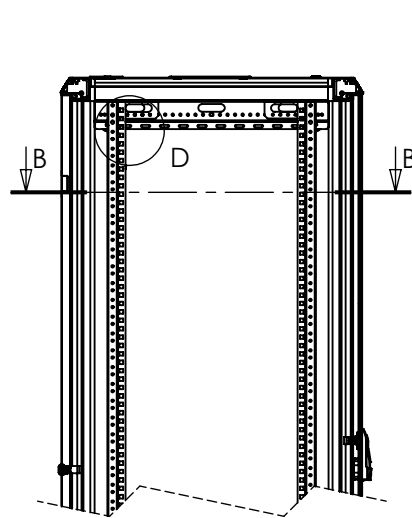
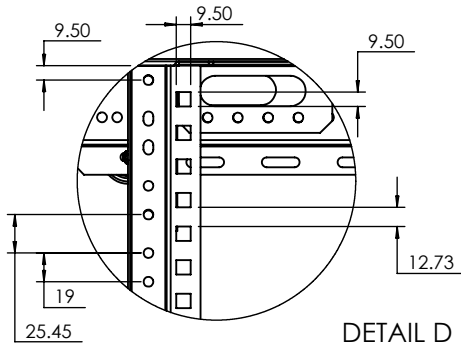


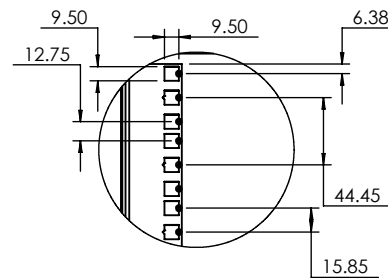
ISO VIEW
1:50



SECTION A-A



DETAIL D



DETAIL C

CAMDENBOSS
ELECTRONICS & ENCLOSURES
JAMES CARTER RD, MILDENHALL, SUFFOLK. IP28 7DE
TEL: 01638 716101 FAX: 01638 716554
EMAIL: Sales@CamdenBoss.com
WEB: www.CamdenBoss.com

UNLESS OTHERWISE SPECIFIED:
DIMENSIONS ARE IN MILLIMETERS

GENERAL TOLERANCES +/- 0.2

FINISH. PAINTED ANTHRACITE

MATERIAL. VAR

PROJECTION.

DO NOT SCALE DRAWING

REVISION.

TITLE: DIMENSION DRAWING FOR
CAMRACK LX 42U 800x800

DWG NO.

CLX428801

A4

	NAME	SIGNED	DATE
DRAWN	IAN PAGANO	I.P.	27/05/14
CHKD	-	-	-

SCALE: 1 : 20

SHEET 1 OF 1