

**ebm-papst St. Georgen GmbH & Co. KG**

Hermann-Papst-Str. 1

D-78112 St. Georgen

Phone +49 (0) 7724 81-0

Fax +49 (0) 7724 81-1309

info2@de.ebmpapst.com

www.ebmpapst.com

Nominal data

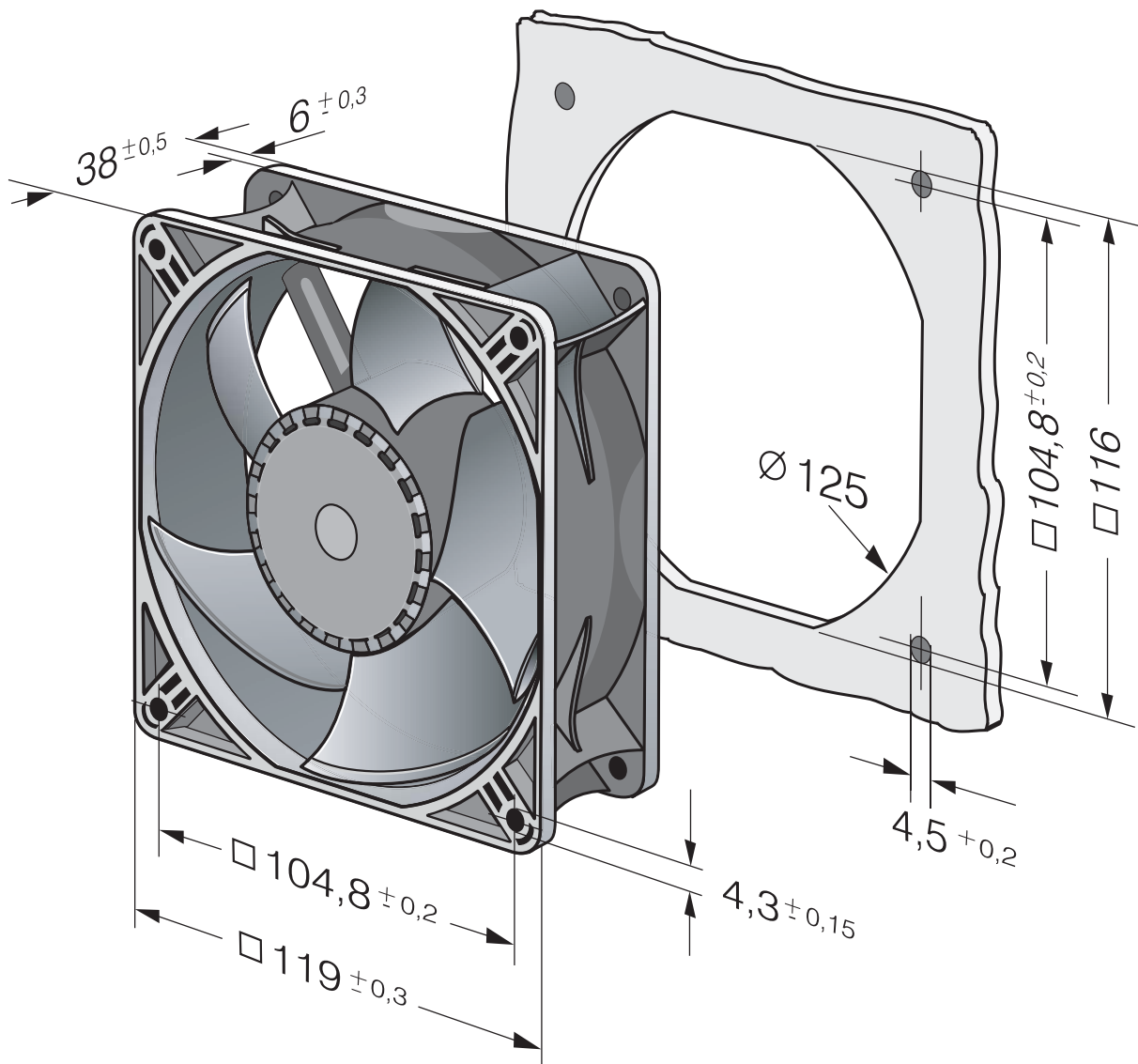
Type	ACI 4410 HH	
Phase		1~
Nominal voltage	VAC	115
Nominal voltage range	VAC	85 .. 132
Speed	min ⁻¹	3300
Power input	W	4.4
Min. ambient temperature	°C	-20
Max. ambient temperature	°C	75
Air flow	m ³ /h	175
Sound power level	B	5.3
Sound pressure level	dB(A)	42

ml = Max. load · me = Max. efficiency · fa = Running at free air · cs = Customer specs · cu = Customer unit
Subject to alterations

Technical features

General description	Completely integrated converter and fan electronics
Housing material	Fibreglass-reinforced plastic (PBT)
Impeller material	Fibreglass-reinforced plastic (PA)
Mass	0.25 kg
Dimensions	119 x 119 x 38 mm
Direction of air flow	Exhaust over struts
Direction of rotation	Clockwise, looking at rotor
Bearing	Ball bearing
Lifetime L10 at 40 °C	65000 h
Lifetime L10 at maximum temperature	25000 h
Connection line	Via 2 flat plugs 2,8 x 0,5 mm flying leads optional

Product drawing



Charts

