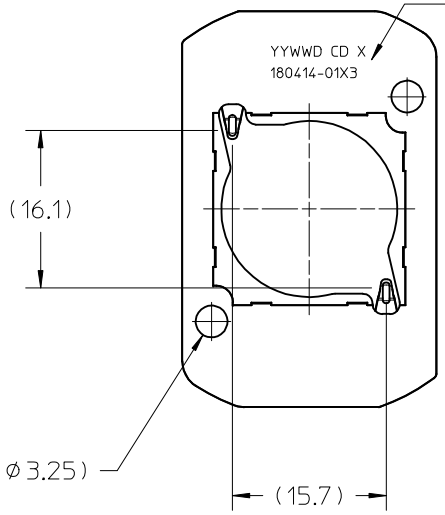
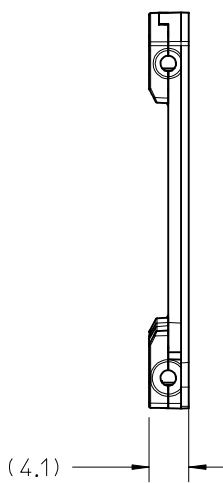
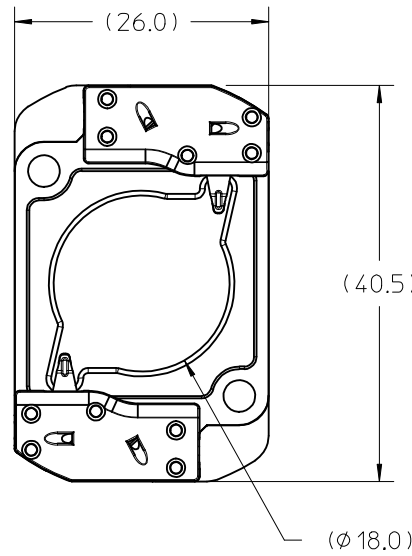
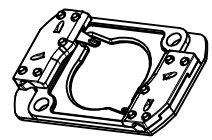


10	9	8	7	6	5	4	3	2	1
PART NUMBER	DESCRIPTION				MATERIAL			AGENCY APPROVAL	
180414-0103	COB LED HOLDER 19.0MM X 19.0MM SQUARE				POLYAMIDE (PA66) GLASS FILLED, COLOR: NATURAL			UL496 FILE E345583	
180414-0113	COB LED HOLDER 19.0MM X 19.0MM SQUARE				POLYESTER (PBT) GLASS FILLED, COLOR: WHITE			UL496 FILE E345583	
180414-0203	COB LED HOLDER 19.0MM X 19.0MM SQUARE WITH TAB CAP				POLYAMIDE (PA66) GLASS FILLED, COLOR: NATURAL			-	
180414-0213	COB LED HOLDER 19.0MM X 19.0MM SQUARE WITH TAB CAP				POLYESTER (PBT) GLASS FILLED, COLOR: WHITE			-	

HOLDER ASSEMBLY
P/N 180414-0103
P/N 180414-0113



PART MARKED WITH
DATE CODE (YYWWD)
MFG PLANT (CD)
REVISION (X)
PART NUMBER (180414-01X3)



ISOMETRIC VIEW 1
SCALE 1:1

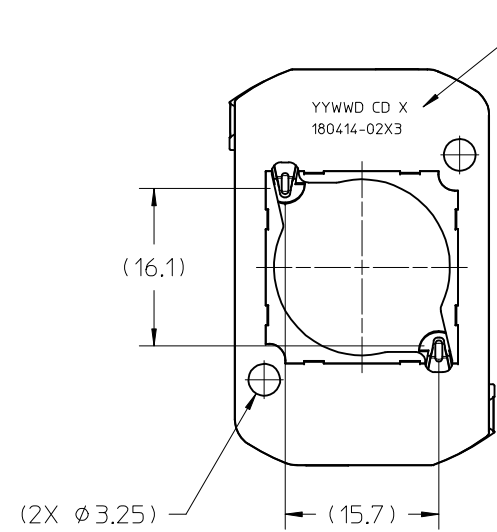
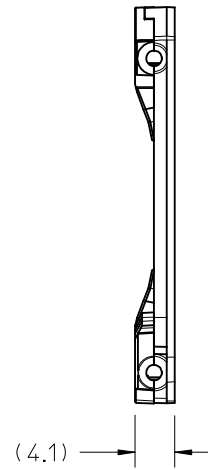
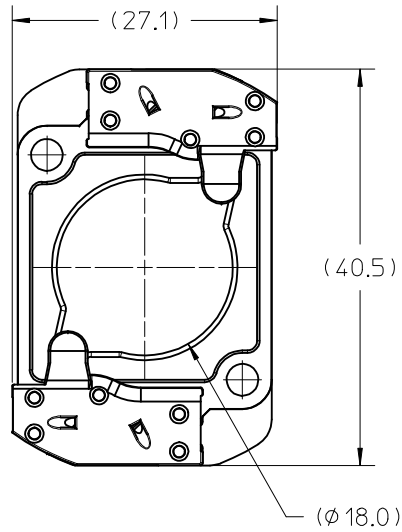
- NOTES:
1. MATERIALS: HOUSING: SEE CHART; TERMINAL: COPPER ALLOY
 2. FINISHES: TERMINAL: NICKEL (Ni) UNDERPLATE 1.27 μ m, SELECT TIN (Sn) 2.54 μ m, SELECT GOLD (Au) 0.76 μ m
 3. PRODUCT SPECIFICATION: PS-180414-001
 4. PACKAGING SPECIFICATION: PK-180419-006
 5. APPLICATION SPECIFICATION: AS-180412-001
 6. SEE SHEET 3 FOR APPLICATION NOTES
 7. ELV AND ROHS COMPLIANT
 8. ALL DIMENSIONS IN PARENTHESIS (XX.XX) ARE FOR REFERENCE ONLY.

ENTER DESCRIPTION EC NO: SSL2015-0062 DRAWN BY: MCOLE 2015/01/08 CHKD: MCOLE APPR: GMEYER 2015/01/27 REV: B1	DESCRIPTION QUALITY SYMBOLS ▽F/0 ▽F/0 ▽F/0	GENERAL TOLERANCES (UNLESS SPECIFIED)		DIMENSION STYLE MM ONLY		SCALE 2:1	DESIGN UNITS METRIC	THIRD ANGLE PROJECTION		
		mm	INCH	DRAWN BY MDEVITO	DATE 2012/04/16	TITLE COB LED HOLDER 19.0 MM X 19.0 MM SQUARE				
		4 PLACES ± --- ± ---	3 PLACES ± --- ± ---	CHECKED BY MCOLE	DATE 2012/08/06					
		1 PLACE ± 0.25 ± ---	0 PLACE ± --- ± ---	APPROVED BY DMCGOWAN	DATE 2012/08/06	MATERIAL NO.		DOCUMENT NO.	SHEET NO.	
ANGULAR ± 1/2° DRAFT WHERE APPLICABLE MUST REMAIN WITHIN DIMENSIONS				SEE CHART		SD-180414-103		1 OF 3		

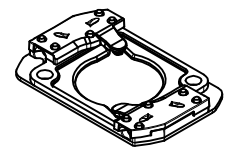
THIS DRAWING CONTAINS INFORMATION THAT IS PROPRIETARY TO MOLEX INCORPORATED AND SHOULD NOT BE USED WITHOUT WRITTEN PERMISSION

10 9 8 7 6 5 4 3 2 1

HOLDER ASSEMBLY WITH TAB CAP
P/N 180414-0203
P/N 180414-0213



PART MARKED WITH
DATE CODE (YYWWD)
MFG PLANT (CD)
REVISION (X)
PART NUMBER (180414-02X3)

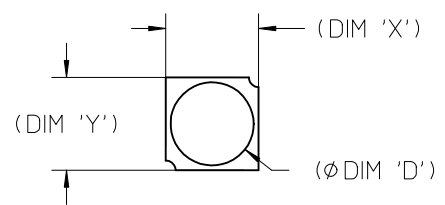


ISOMETRIC VIEW 2
SCALE 1:1

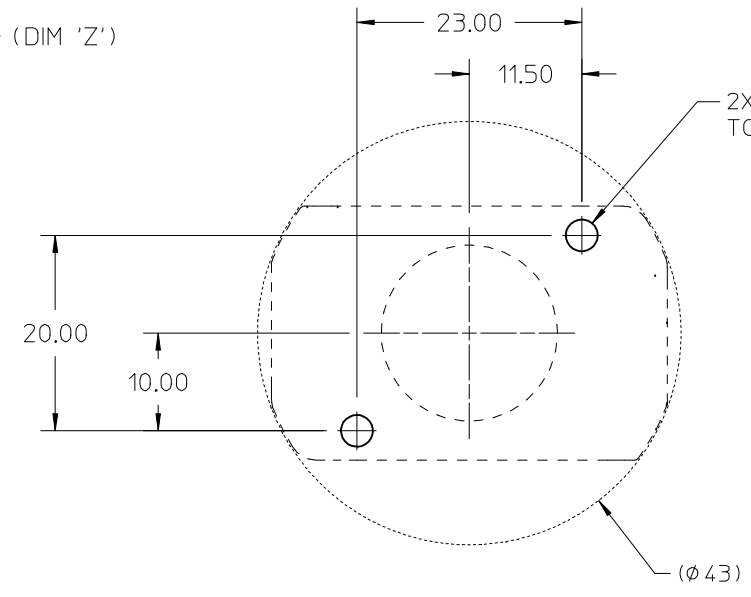
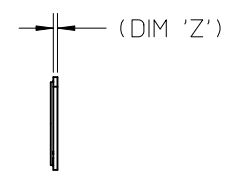
ENTER DESCRIPTION EC NO: SSL2015-0062 DRAWN: MCOLE 2015/01/08 CHKD: MCOLE APPR: GMEYER 2015/01/27 B1	QUALITY SYMBOLS 	GENERAL TOLERANCES (UNLESS SPECIFIED)		DIMENSION STYLE MM ONLY		SCALE 2:1	DESIGN UNITS METRIC	THIRD ANGLE PROJECTION
		mm INCH	DRAWN BY MDEVITO	DATE 2012/04/16	TITLE COB LED HOLDER 19.0 MM X 19.0 MM SQUARE			
		4 PLACES ± --- ± --- 3 PLACES ± --- ± --- 2 PLACES ± 0.13 ± --- 1 PLACE ± 0.25 ± --- 0 PLACE ± --- ± ---	CHECKED BY MCOLE	DATE 2012/08/06				
		ANGULAR ± 1/2° DRAFT WHERE APPLICABLE MUST REMAIN WITHIN DIMENSIONS		APPROVED BY DMCGOWAN	DATE 2012/08/06	MATERIAL NO. SEE CHART	DOCUMENT NO. SD-180414-103	SHEET NO. 2 OF 3
THIS DRAWING CONTAINS INFORMATION THAT IS PROPRIETARY TO MOLEX INCORPORATED AND SHOULD NOT BE USED WITHOUT WRITTEN PERMISSION								

9 8 7 6 5 4 3 2 1

10	9	8	7	6	5	4	3	2	1
COB MFG	TYPE		DIM 'X'	DIM 'Y'	DIM 'Z'	DIM 'D'			
CITIZEN	CLL030, CLL032, CLU034, CLU720		19.0	19.0	0.9	17.0			
TRIDONIC	LES17		19.0	19.0	1.1	17.0			
SEOUL	ZC12, ZC18		19.0	19.0	0.9	16.0			



COB LED
SCALE 1:1



2X M3 OR 4-40 THREADED HOLES
TORQUE: CERAMIC 0.2 N-M MIN TO 0.4 N-M MAX
ALUMINUM 0.4 N-M MIN TO 0.8 N-M MAX

RECOMMENDED MOUNTING DIMENSIONS

NOTES:

1. WIRE GAUGE: 18, 20, OR 22 AWG, SOLID OR STRANDED WITH TIN OVERCOAT. STRIP LENGTH 10MM +2.0/-0.0MM. RECOMMENDED MAXIMUM DIAMETER AFTER TINNING: 1.40MM. LARGER DIAMETER WIRES ARE ACCEPTABLE IF FULLY INSERTABLE IN WIRE TRAP AND NO WITHDRAWAL WITHIN 20N FORCE.

ENTER DESCRIPTION EC NO: SSL2015-0062 DRAWN BY: MCOLE CHKD: MCOLE APPR: GMEYER DATE: 2015/01/08 DATE: 2015/01/27	QUALITY SYMBOLS $\nabla Z=0$ $\nabla F=0$ $\nabla E=0$	GENERAL TOLERANCES (UNLESS SPECIFIED)		DIMENSION STYLE MM ONLY		SCALE 2:1	DESIGN UNITS METRIC	THIRD ANGLE PROJECTION		
		4 PLACES	\pm ---	\pm ---	DRAWN BY	DATE	TITLE COB LED HOLDER 19.0 MM X 19.0 MM SQUARE			
		3 PLACES	\pm ---	\pm ---	MDEVITO	2012/04/16				
		2 PLACES	\pm 0.13	\pm ---	CHECKED BY	DATE				
1 PLACE	\pm 0.25	\pm ---	MCOLE	2012/08/06						
0 PLACE	\pm ---	\pm ---	APPROVED BY	DATE	DOCUMENT NO. SD-180414-103		SHEET NO. 3 OF 3			
DRAFT WHERE APPLICABLE MUST REMAIN WITHIN DIMENSIONS			MATERIAL NO. SEE CHART		THIS DRAWING CONTAINS INFORMATION THAT IS PROPRIETARY TO MOLEX INCORPORATED AND SHOULD NOT BE USED WITHOUT WRITTEN PERMISSION					