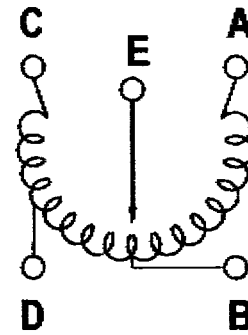
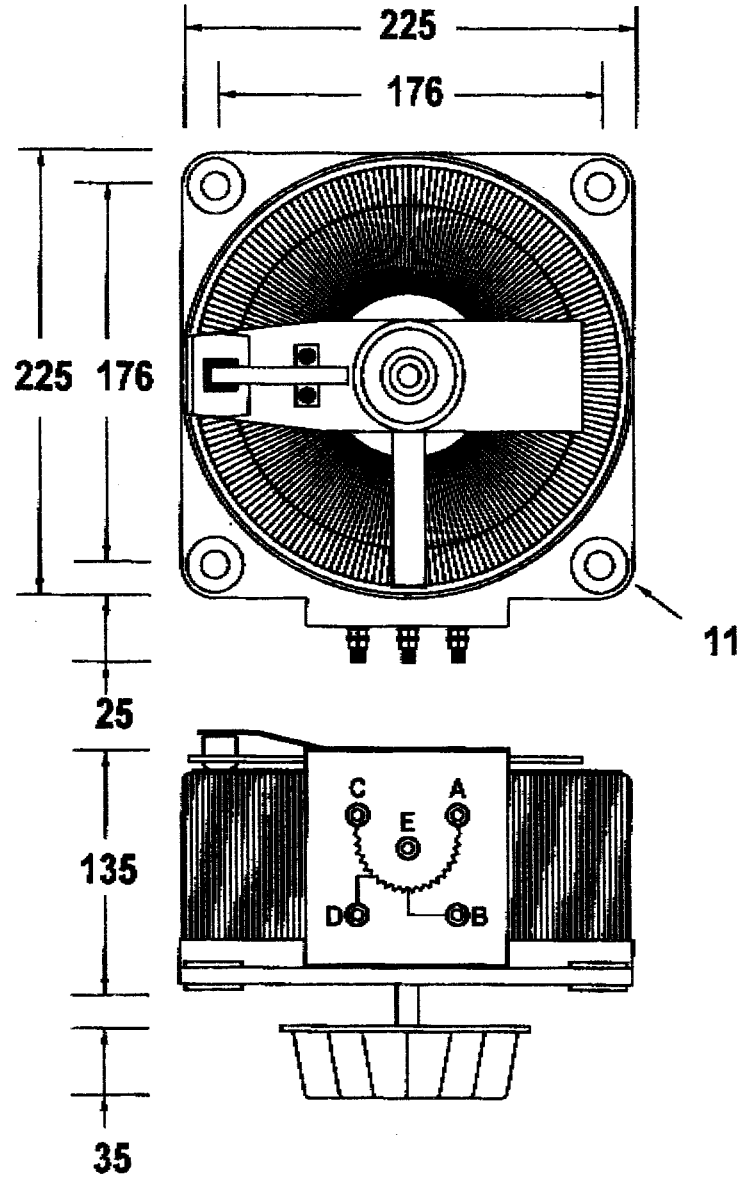


**OPEN STYLE VARIABLE TRANSFORMERS**



**INPUT 240 V AT A-C OR A-D  
OUTPUT 0-240 OR 0-270 AT A-E**

**CONNECTION DIAGRAM**

**TYPE CMV 15F-1 RATING 15 AMP  
WEIGHT KGS**

REV No	4		<b>CARROLL &amp; MEYNELL LTD</b> ELECTRICAL ENGINEERS TEL. 01642 617406	TITLE <b>R S COMPONENTS VARIABLE TRANSFORMER TYPE CMV15F-1</b>	DRAWN	APPROVED	DATE	SCALE	
	3				RWC		2/3/00	NTS	
	2				DRAWING No	347-3647		REV	PAGE
	1					0			