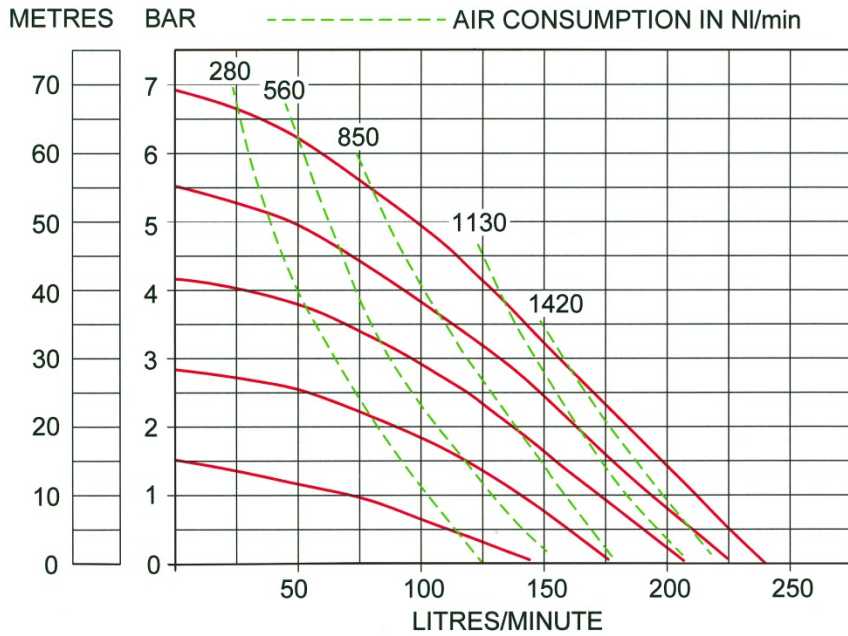
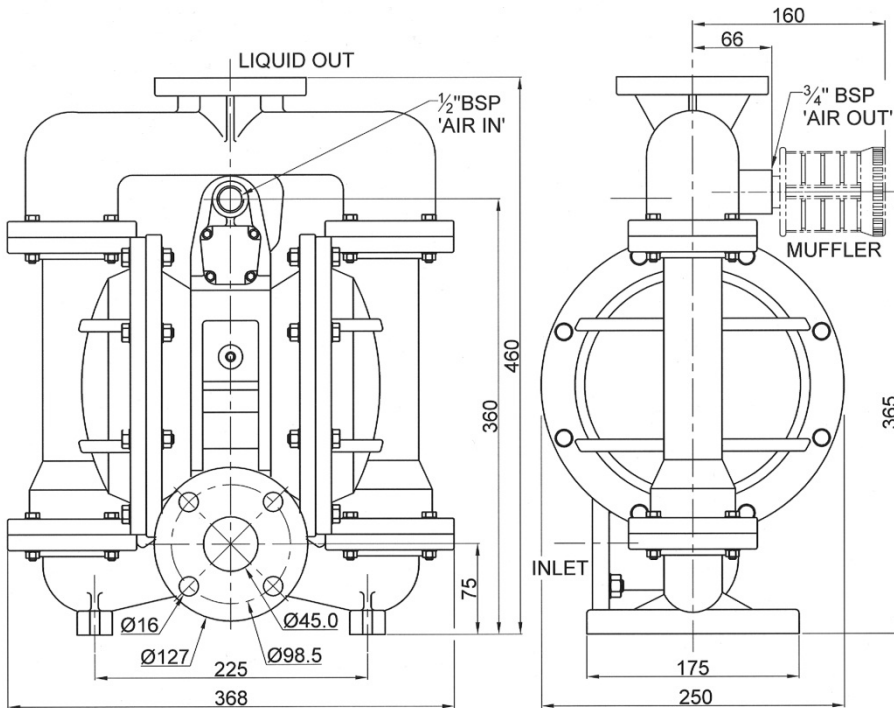


PERFORMANCE:



DIMENSIONS:



MATERIALS OF CONSTRUCTION:

WEIGHT: 19 Kg

BODY	DIAPHRAGMS	BALL VALVES	VALVE SEATS	VALVE SEAT 'O' RINGS
Aluminium	Geolast	Geolast	Geolast	Neoprene

OTHER ELASTOMERS AVAILABLE



T240-AG-D

**1 1/2" PORT FLANGES
AIR OPERATED
DOUBLE DIAPHRAGM
PUMP**



- ◆ Robust design
- ◆ Stall free performance
- ◆ Self-priming
- ◆ Can run dry without damage
- ◆ Oil free - no contamination
- ◆ Test certificate with every pump