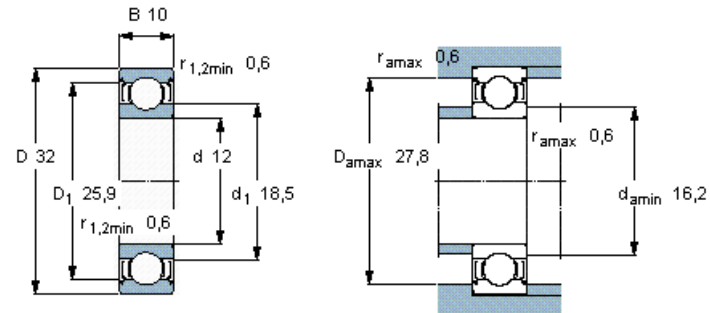


Deep groove ball bearings, single row, SKF Energy Efficient (E2) bearings



Principal dimensions			Basic load ratings		Fatigue load limit P_u	Speed ratings		Mass	Designation
d	D	B	dynamic	static		Reference speed	Limiting speed		
mm			kN		kN	r/min		kg	-
12	32	10	7,02	3,1	0,132	55000	29000	0,037	E2.6201-2Z/C3



Calculation factors

k_r 0,025
 f_0 12