

DETAILS

Product Number	CA14219_STRADA-SQ-CY
Family	Strada-SQ
Type	Assembly
Color	clear
Diameter	25x25 mm
Height	10.1 mm
Style	square
Optic Material	PMMA
Holder Material	
Fastening	screw, pin, tape
Status	ready
ROHS Compliant	Yes
Date Updated	26/01/2015



OPTICAL PROPERTIES

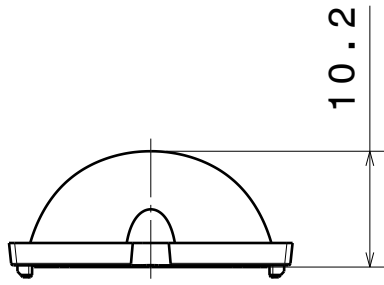
LED	Viewing	Light	Effi-	cd/lm	Connector
	Angle	Beam	ciency		
MHD-E/G	117+115 deg	Streetligh...	94 %	0.370	-
MK-R	118+115 deg	Streetligh...	94 %	0.370	-
XP-L	118+127 deg	Streetligh...	94 %	0.400	-
LUXEON M	120+115 deg	Streetligh...	94 %	0.410	-
XHP70	121+119 deg	Streetligh...	94 %	0.350	-
XM-L	122+116 deg	Streetligh...	94 %	0.440	-
XHP50	122+118 deg	Streetligh...	94 %	0.410	-
LUXEON MZ	127+118 deg	Streetligh...	94 %	0.340	-

D

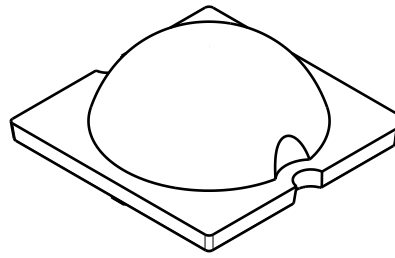
C

B

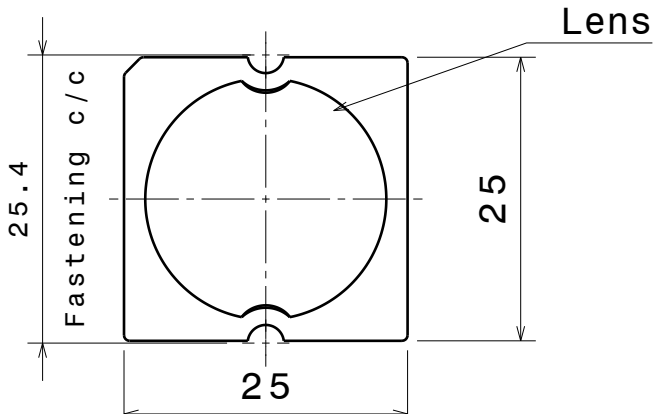
A



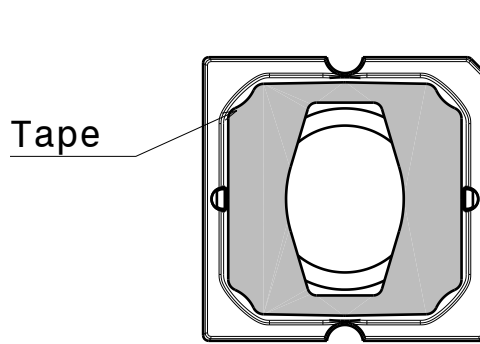
Bottom view



Isometric view



Front view



Rear view

Tolerances if not otherwise shown
 According to DIN ISO 2768-1
 Linear measures:
 Up to 30mm class M, otherwise class C.
 According to DIN ISO 2768-2
 Form and position: class L

LEDiL LediL Oy
 Salorankatu 10
 FIN 24240 SALO
 Finland

THIRD ANGLE PROJECTION:

DRAWING TITLE
CA14129_STRADA-SQ-CY_Mechanicaldrawing

This drawing is the property of LEDiL Oy. It may not be reproduced, copied or communicated without a written agreement with LEDiL Oy."

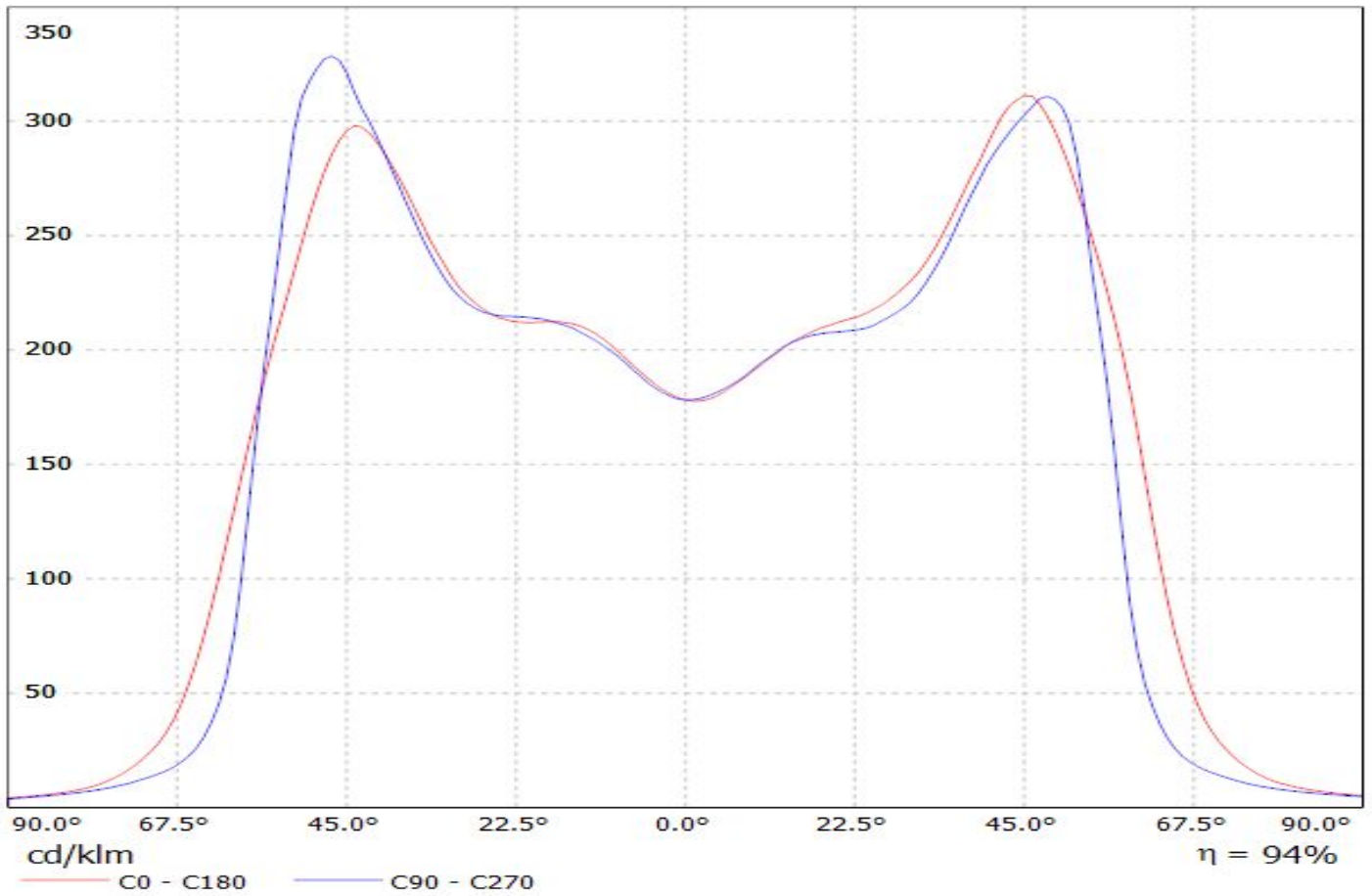
SIZE	PART NUMBER
A4	-

SCALE	3:2	WEIGHT	-	SHEET	1/1
-------	-----	--------	---	-------	-----

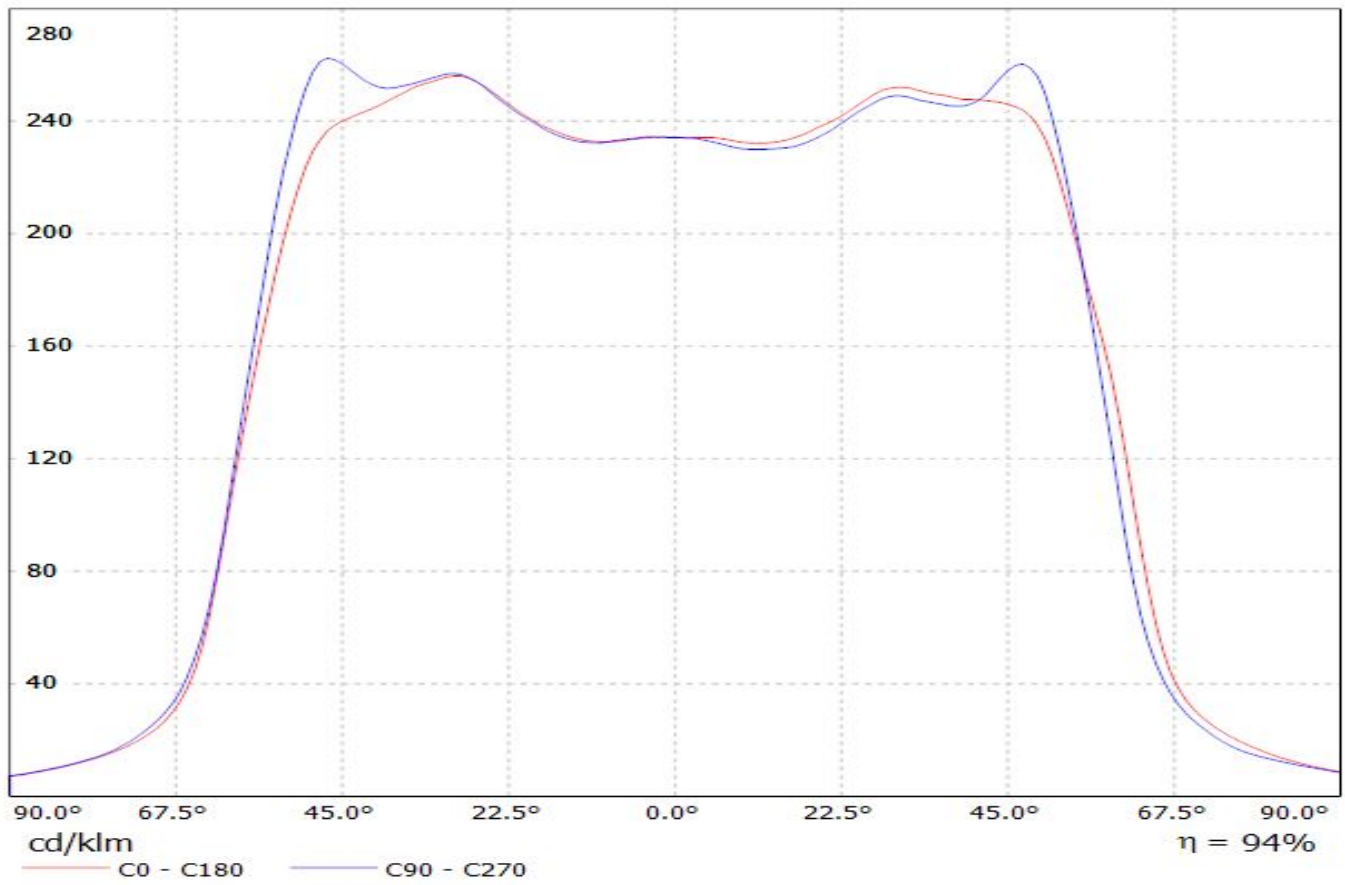
D

A

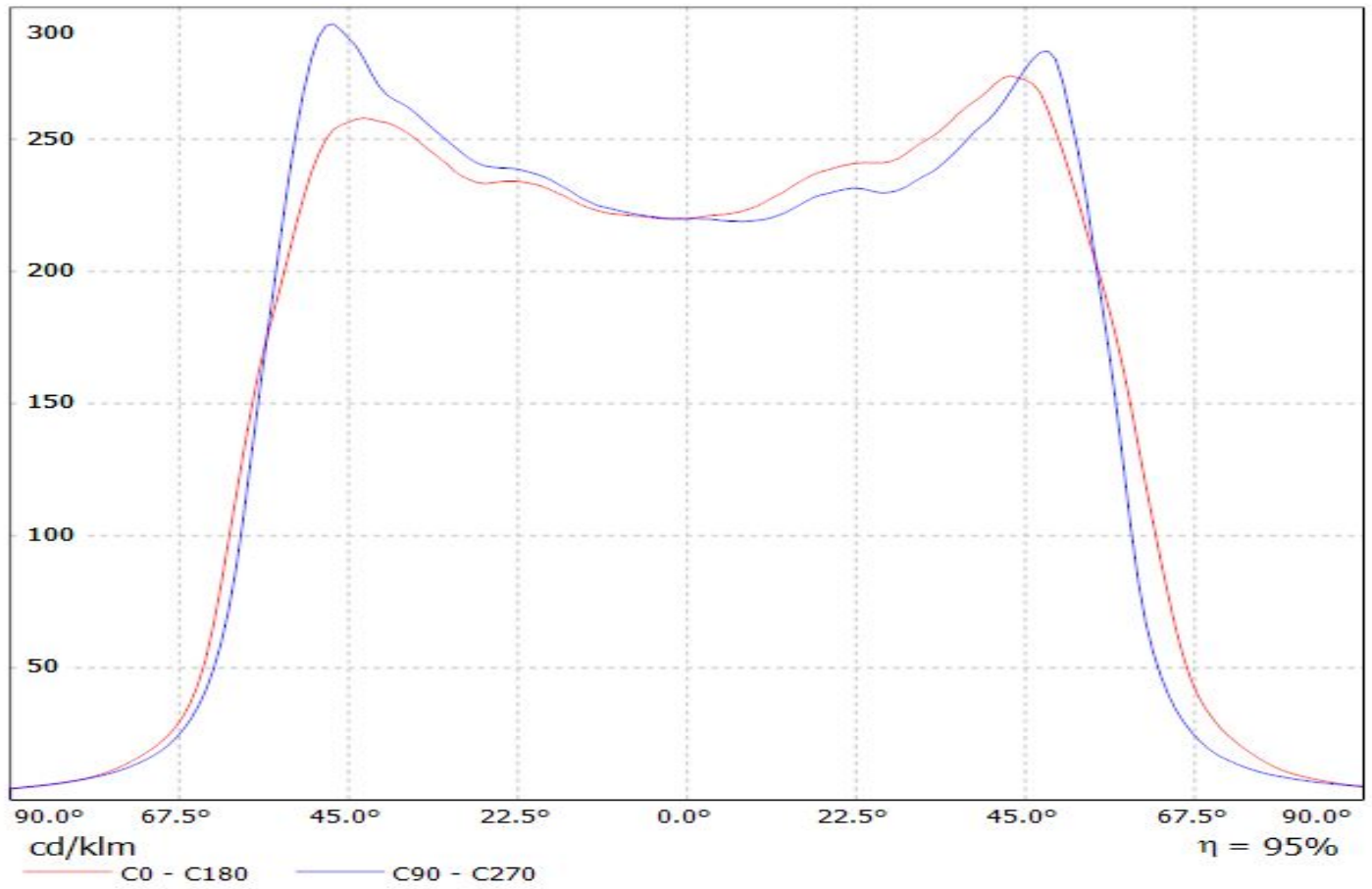
Luminaire: LEDiL Oy CA14219_STRADA-SQ-CY_(XP-L)
Lamps: 1 x Cree_XP-L_127.18lm@250mA_P=0.737584W_I=249.9mA



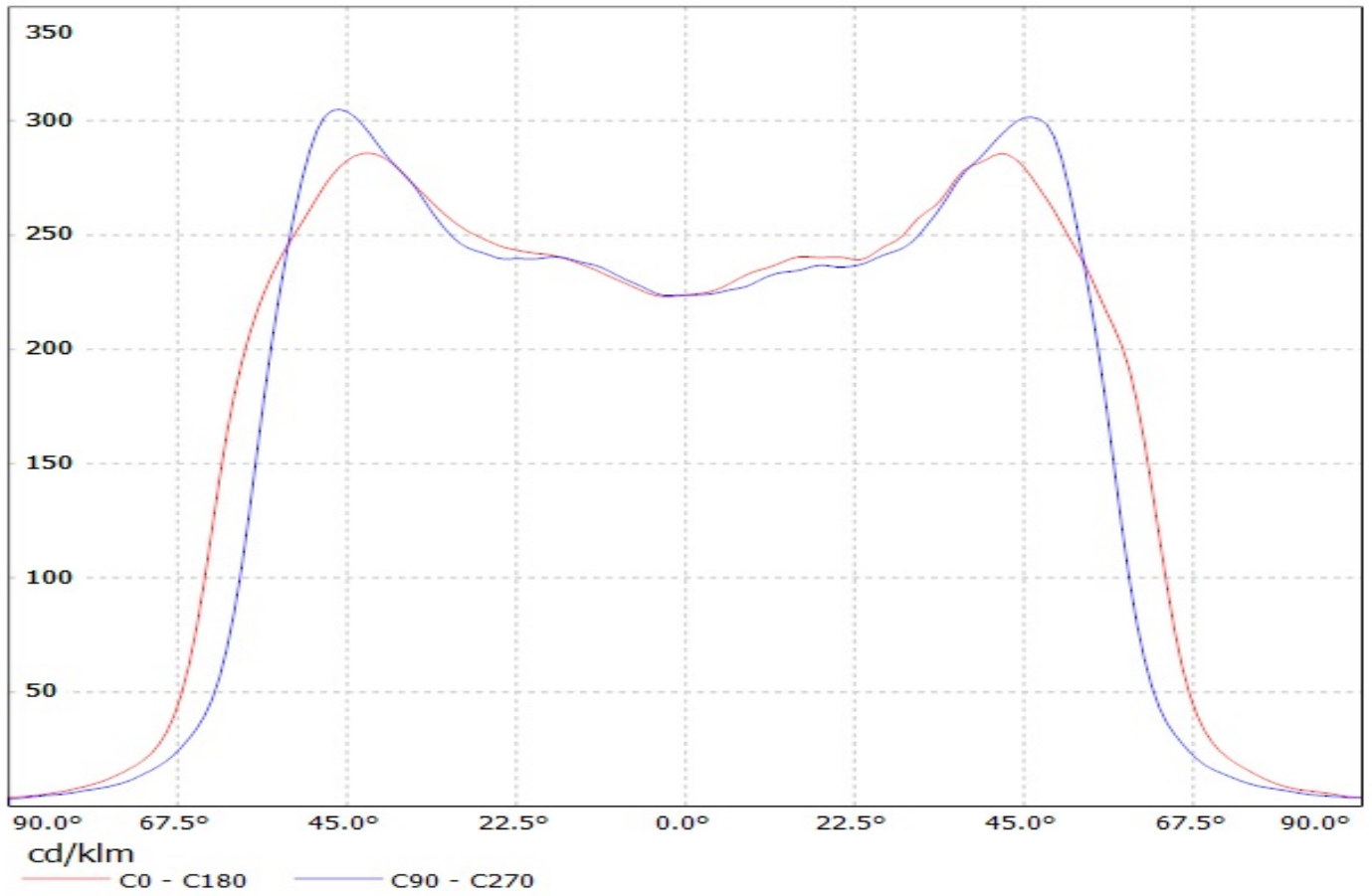
Luminaire: EVERFINE CA14219_STRADA-SQ-CY_(CREE_XHP70)
Lamps: 1 x CREE_XHP70_288.639lm@250mA_P=2.69892W_I=0.2499A



Luminaire: LEDiL Oy CA14219_STRADA-SQ-CY_(XHP50 Cool white)
Lamps: 1 x XHP50 Cool white_244.744lm@250mA_P=1.42773W_I=0.2499A

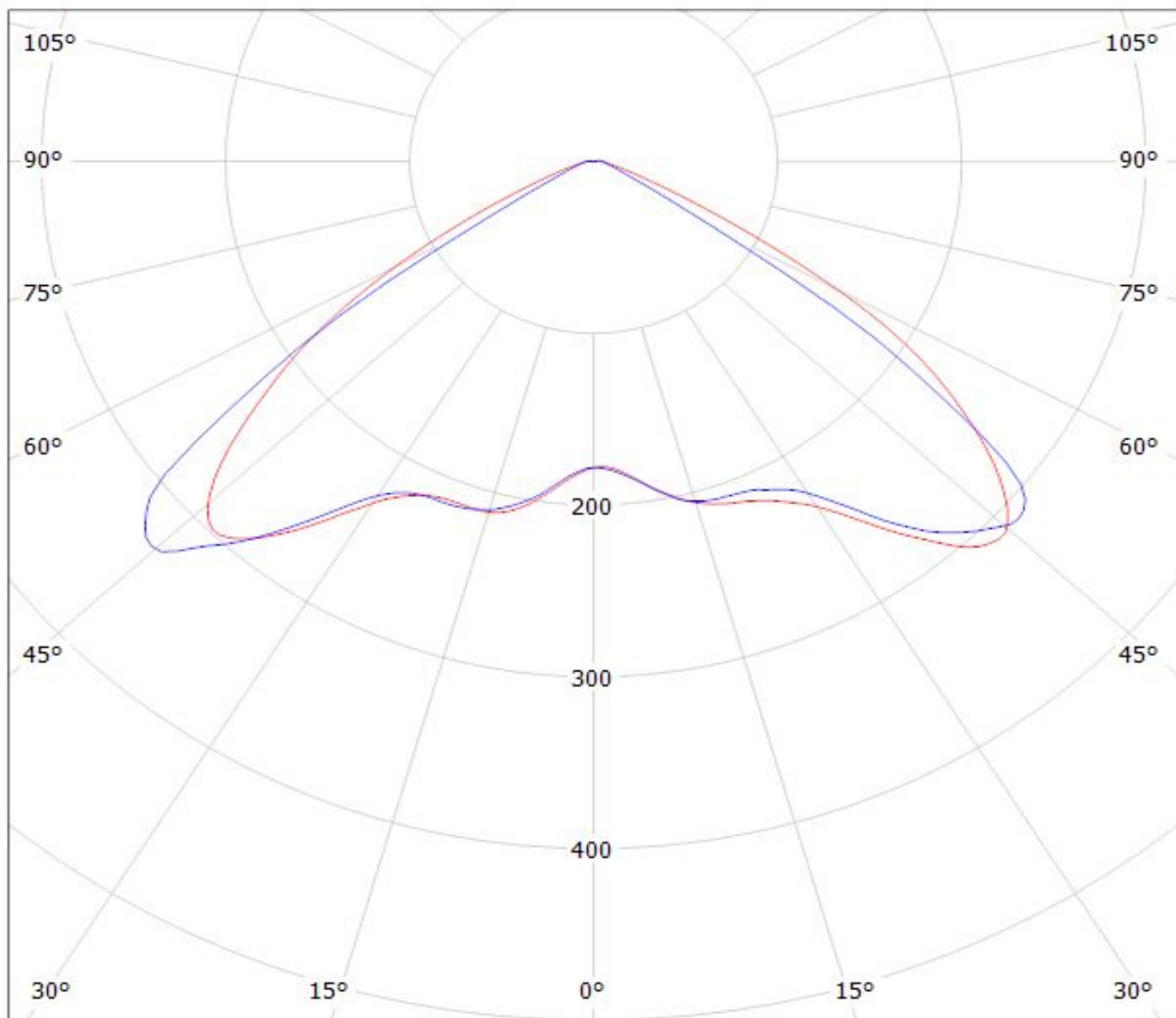


Luminaire: LEDil Oy CA14219_STRADA-SQ-CY_(Luxeon_MZ) Efficiency=94%
Lamps: 1 x Philips Lumileds Luxeon MZ (389lm @ 250mA) CCT=3800K P=2.8W I=250mA



Luminaire: LEDiL Oy CA14219_STRADA-SQ-CY_(XP-L)

Lamps: 1 x Cree_XP-L_127.18lm@250mA_P=0.737584W_I=249.9mA



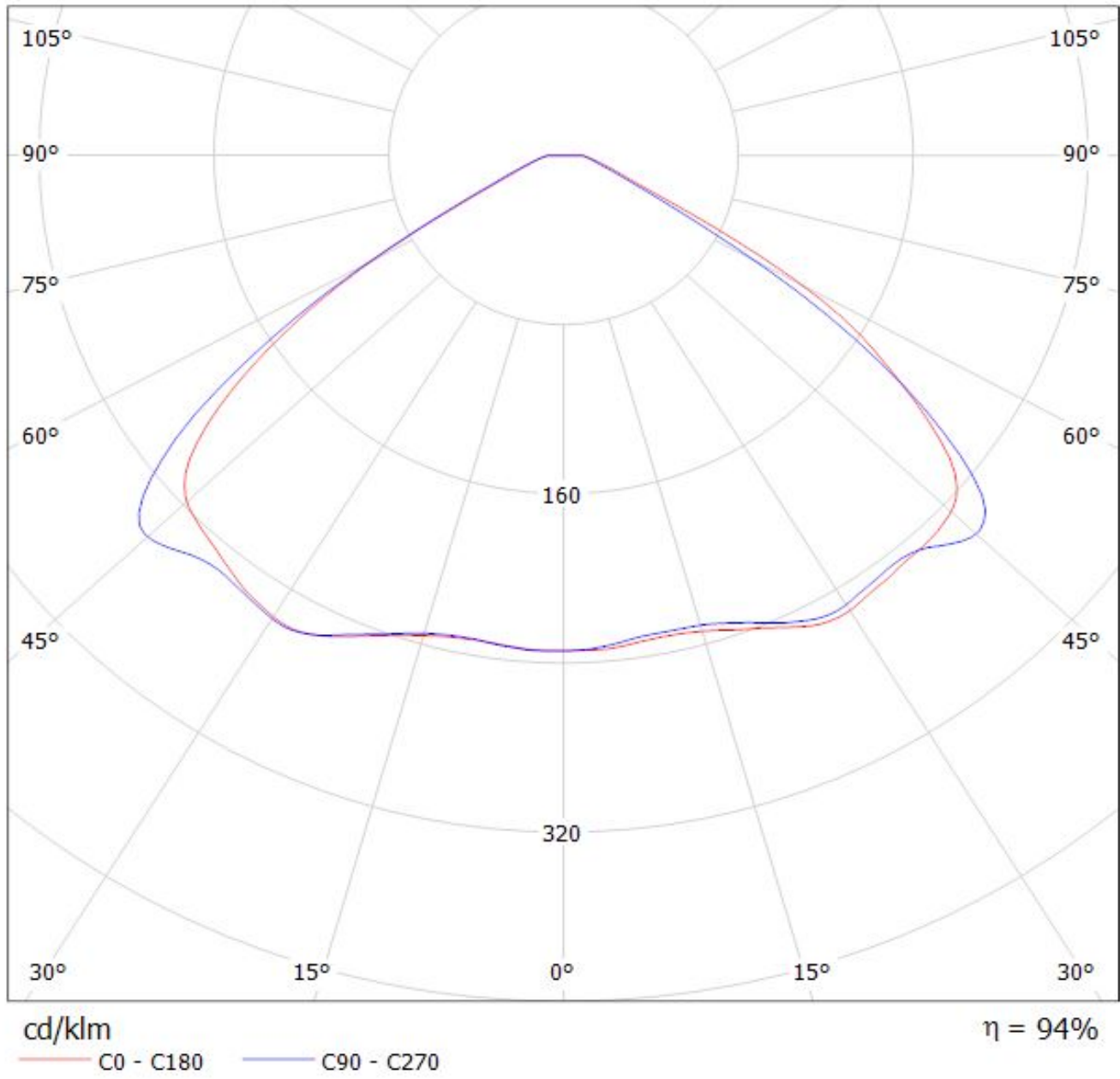
cd/klm

— C0 - C180

— C90 - C270

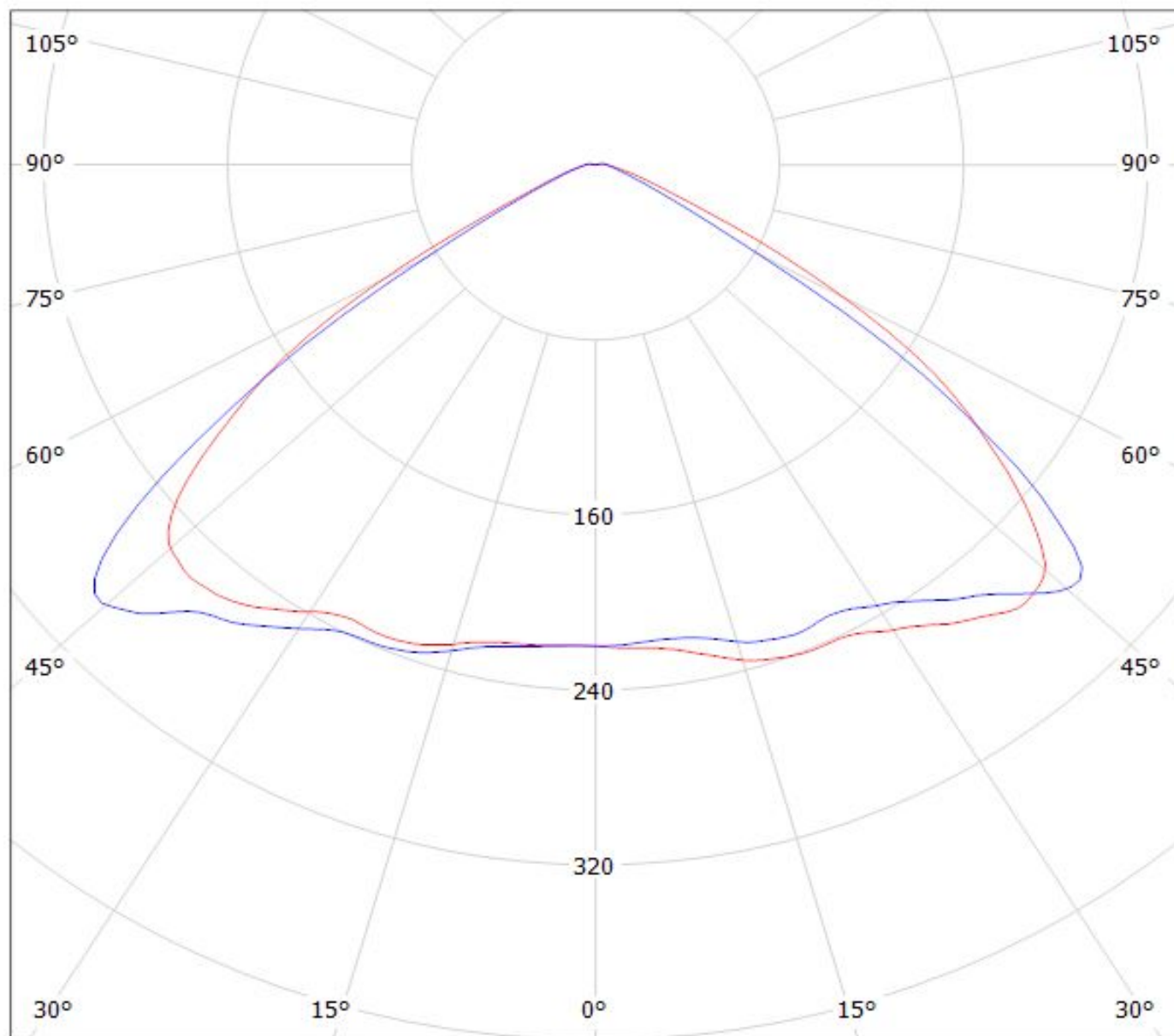
$\eta = 94\%$

Luminaire: EVERFINE CA14219_STRADA-SQ-CY_(CREE_XHP70)
Lamps: 1 x CREE_XHP70_288.639lm@250mA_P=2.69892W_I=0.2499A



Luminaire: LEDiL Oy CA14219_STRADA-SQ-CY_(XHP50 Cool white)

Lamps: 1 x XHP50 Cool white_244.744lm@250mA_P=1.42773W_I=0.2499A

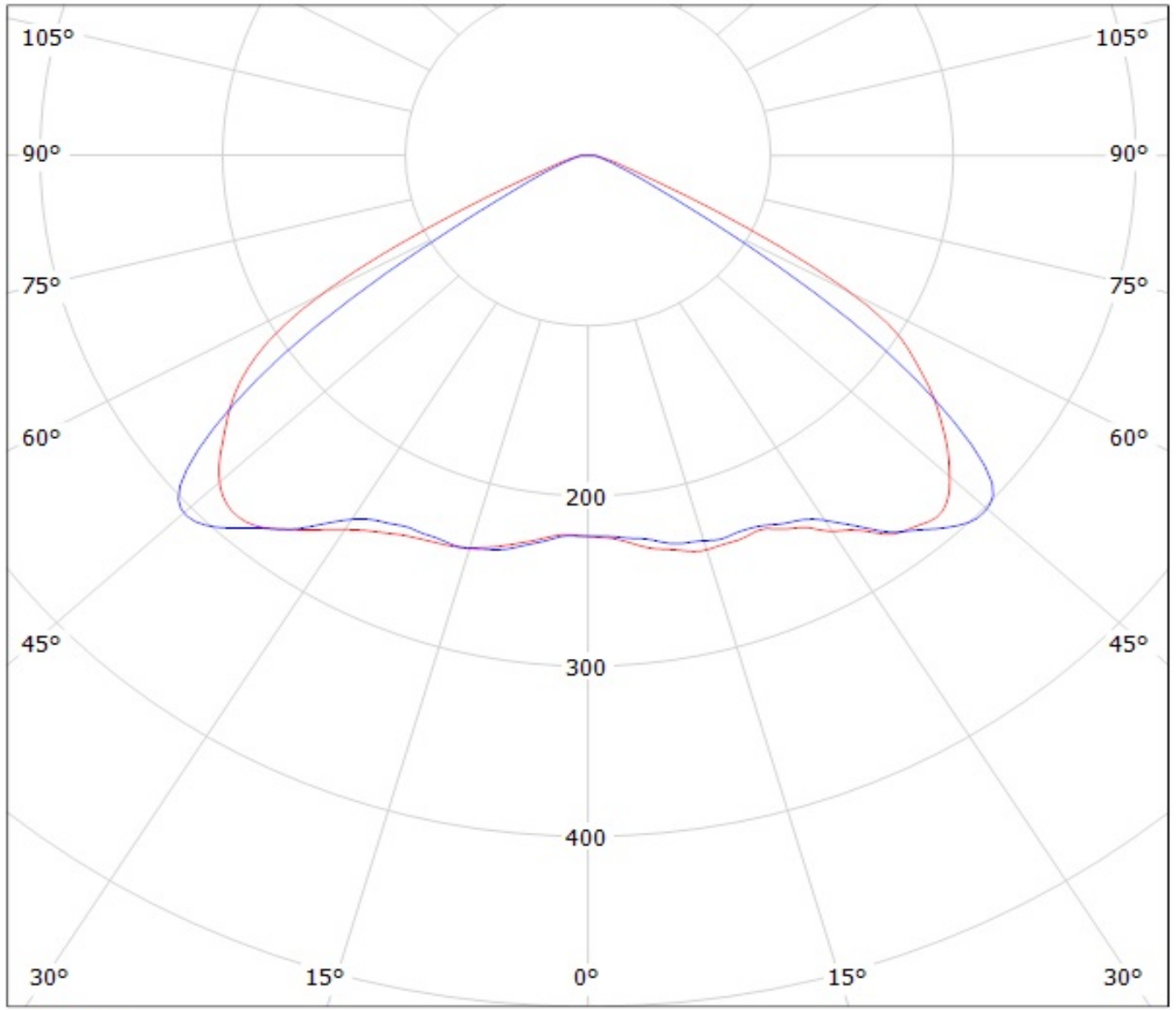


cd/klm

— C0 - C180 — C90 - C270

$\eta = 95\%$

Luminaire: LEDil Oy CA14219_STRADA-SQ-CY_(Luxeon_MZ) Efficiency=94%
Lamps: 1 x Philips Lumileds Luxeon MZ (389lm @ 250mA) CCT=3800K P=2.8W I=250mA



cd/klm

— C0 - C180 — C90 - C270

NOTE: The typical divergence will be changed by different color, chip size and chip position tolerance. The typical total divergence is the full angle measured where the luminous intensity is half of the peak value.