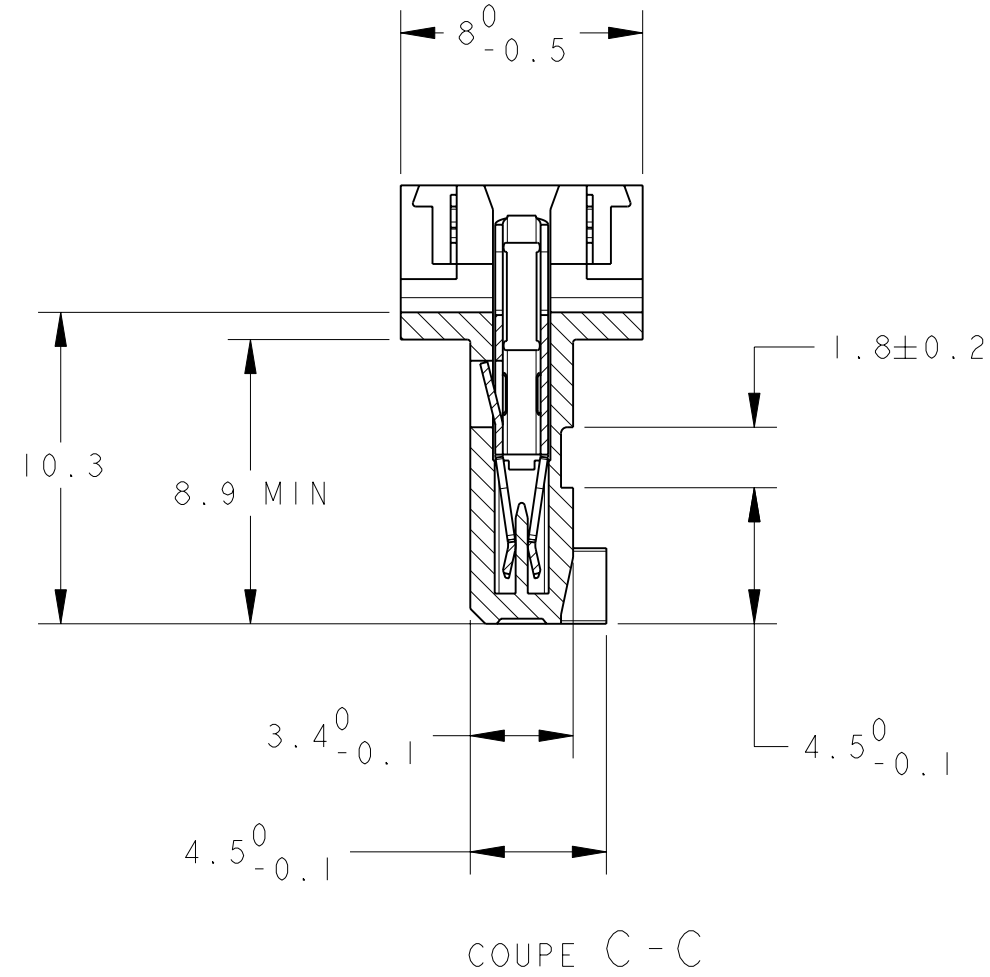
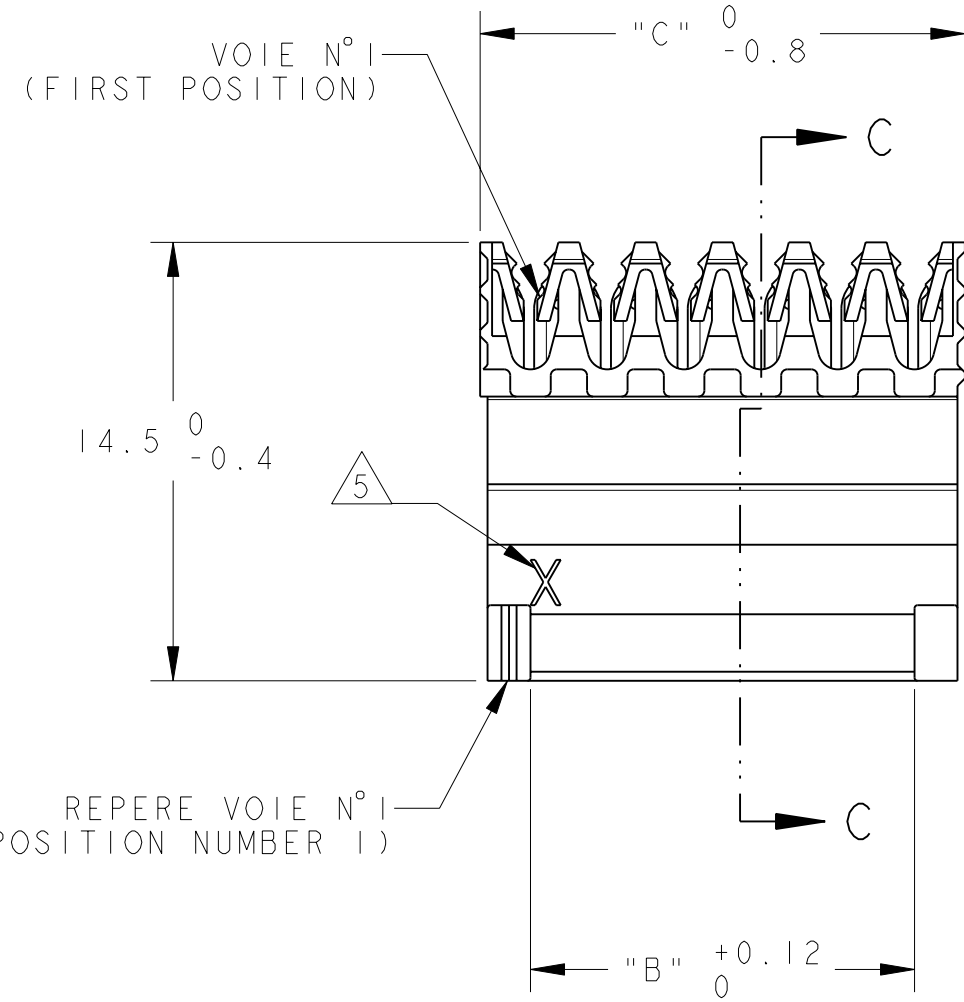
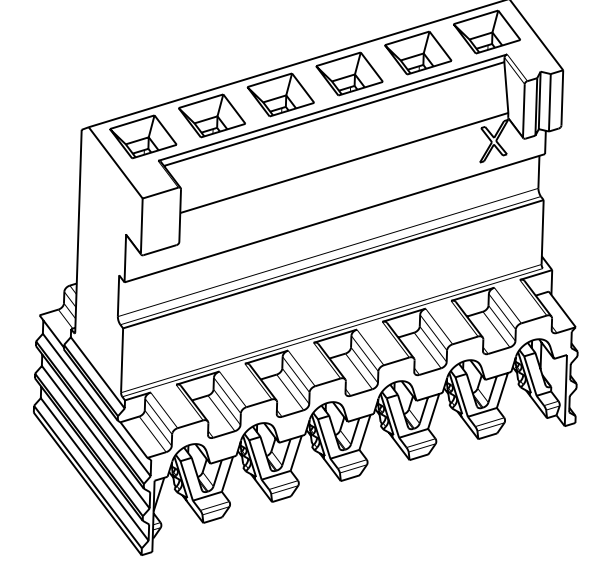
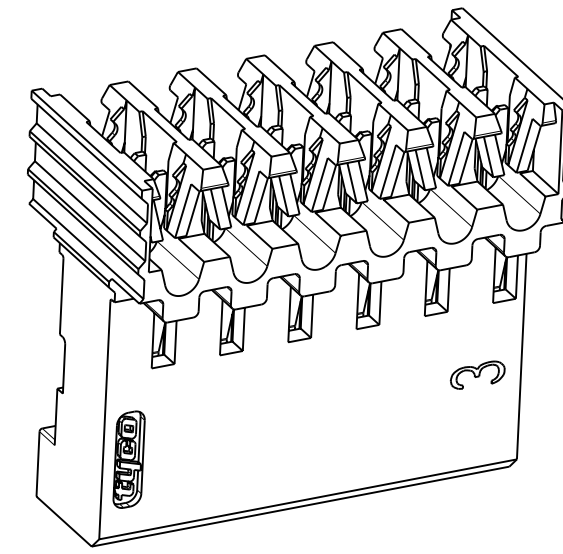
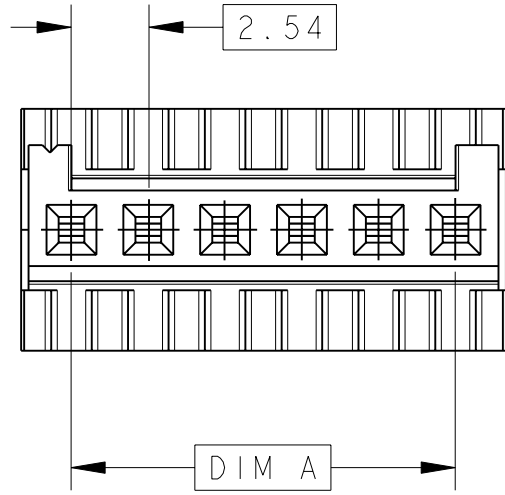


THIS DRAWING IS UNPUBLISHED. DIFFUSION RESTREINTE  
 RELEASED FOR PUBLICATION LIBRE A LA DIFFUSION  
 20  
 BY TYCO ELECTRONICS CORPORATION. ALL RIGHTS RESERVED. TOUS DROITS RESERVES

FILS ADMISSIBLES (ACCEPTABLE WIRES)	
JAUGE (AWG) SECTION / 7 BRINS (7 STRANDS)	26 0.12mm <sup>2</sup>
ISOLANT: Ø MAX / MATIERE (INSUL.: Ø MAX / MAT'L)	Ø1 / PVC

LOC	DIST	REVISIONS			
P	LTR	DESCRIPTION MODIFICATIONS	DATE	DWN DESS.	APVD APP.
	A	REDESSINE SUR (REDRAWN ON) PRO/ENG	19SEP2002	CC	YP
	B	NOTE 3: ETAIN SANS PLOMB (TIN LEAD FREE)	28APR2004	TC	YP
	BI	REVISED PER ECO-09-025699	17DEC2009	KK	AEG



OBSOLETE	9	64.30	60.96	25	2 281711-5	2 144271-5
OBSOLETE	9	61.76	58.42	24	2 281711-4	2 144271-4
OBSOLETE	10	59.22	55.88	23	2 281711-3	2 144271-3
OBSOLETE	10	56.68	53.34	22	2 281711-2	2 144271-2
OBSOLETE	10	54.14	50.80	21	2 281711-1	2 144271-1
OBSOLETE	11	51.60	48.26	20	2 281711-0	2 144271-0
OBSOLETE	12	49.06	45.72	19	1 281711-9	1 144271-9
	12	46.52	43.18	18	1-281711-8 *	1-144271-8 *
OBSOLETE	13	43.98	40.64	17	1 281711-7	1 144271-7
OBSOLETE	14	41.44	38.10	16	1 281711-6	1 144271-6
	15	38.90	35.56	15	1-281711-5 *	1-144271-5 *
OBSOLETE	16	36.36	33.02	14	1 281711-4	1 144271-4
OBSOLETE	17	33.82	30.48	13	1 281711-3	1 144271-3
	18	31.28	27.94	12	1-281711-2 *	1-144271-2 *
OBSOLETE	20	28.74	25.40	11	1 281711-1	1 144271-1
OBSOLETE	25	26.20	22.86	10	1-281711-0 *	1-144271-0 *
OBSOLETE	25	23.66	20.32	9	0 281711-9	0 144271-9
	25	21.12	17.78	8	0-281711-8 *	0-144271-8 *
$\nabla$ OBSOLETE	30	18.58	15.24	7	0 281711-7	0 144271-7
	35	16.04	12.70	6	0-281711-6 *	0-144271-6 *
	40	13.50	10.16	5	0-281711-5 *	0-144271-5 *
	50	10.96	7.62	4	0-281711-4 *	0-144271-4 *
	70	8.42	5.08	3	0-281711-3 *	0-144271-3 *
	100	5.88	2.54	2	0-281711-2	0-144271-2
QUANT/TUBE	C	A, B	Nb DE POS	REFERENCES (PART No)		
DIMENSIONS			$\nabla$ 4	VRAC (L.P.)		

- 1 CES CONNECTEURS SONT PREVUS POUR ETRE ACCOUPLES AVEC LES EMBASES 'HE1402' SIMPLE RANGEE (THESE CONNECTEURS ARE DESIGNED TO BE MATED WITH 'HE1402' HEADERS SINGLE ROW)
- 2 LES REFERENCES SUIVIES D'UN ' \* ' SONT LES VERSIONS NORMALISEES SELON LA 'CEI 603-8' (THE PART-NO FOLLOWED BY ' \* ' ARE COVERED BY THE INTERNATIONAL STANDARD 'IEC 603-8')
- $\nabla$  3 REVETEMENT DES CONTACTS: ETAIN SANS PLOMB (THE CONTACTS ARE TIN PLATED LEAD FREE)
- $\nabla$  4 CONNECTEURS CONDITIONNES SOUS TUBE PVC (THESE CONNECTEURS ARE PACKAGED IN TUBE)
- $\nabla$  5 ' X ' EST REMPLACE PAR LE DEUXIEME CHIFFRE DES JAUGES AWG (' X ' REPLACED BY THE SECOND DIGIT OF AWG AS DEFINED IN TABLE)
- $\nabla$  6 MATIERES - BOITIER: PBT UL94V0 - CONTACTS: BRONZE PHOSPHOREUX (MATERIALS - CASE: PBT UL94V0 - CONTACTS: PHOSPHOR BRONZE)
- $\nabla$  7 OBSOLETE PARTS: OBSOLETE CIS STREAMLINING PER D.RENAUD/D.SINISI

THIS DRAWING IS A CONTROLLED DOCUMENT FOR TYCO ELECTRONICS CORPORATION IT IS SUBJECT TO CHANGE AND THE CONTROLLING ENGINEERING ORGANIZATION SHOULD BE CONTACTED FOR THE LATEST REVISION. CE PLAN EST UN DOCUMENT CONTROLE PAR AMP INCORPORATED. IL EST SUSCEPTIBLE D'ETRE REVISE. CONTACTER LE SERVICE TECHNIQUE D'AMP DE FRANCE POUR OBTENIR LA DERNIERE REVISION.		DWN/DESSINE C. COMBEDOUZON 17NOV2000	Tyco Electronics Corporation 95301 PONTOISE	
DIMENSIONS: mm		CHK/VERIFIE T. CORRIOU 17NOV2000	NAME/TITRE HE 1402 PLUG 90deg IDC SINGLE ROW	
TOLERANCES UNLESS OTHERWISE SPECIFIED: (SUIV NB DE DECIMALES) 0 PLC/DEC: ± 1 PLC/DEC: ±0.3 2 PLC/DEC: ± 3 PLC/DEC: ± 4 PLC/DEC: ± ANGLES ±5°		APVD/APPROUVE Y. PETRONIN 17NOV2000	PRODUCT SPEC 108-15053	
MATERIAL/MATIERE		FINISH/FINITION	APPLICATION SPEC 114-15030	RESTRICTED TO RESERVE A
$\nabla$ 6	$\nabla$ 3	WEIGHT/MASSE APPROX.	SIZE FORMAT A2	CAGE CODE 00779
CUSTOMER DRAWING /PLAN CLIENT		UNIQUEMENT POUR REFERENCE	SCALE/ECHELLE 4:1	SHEET FEUILLE OF DE REV BI