



PRODUCT DATASHEET

Lena series

last update 30/1/2015

DETAILS

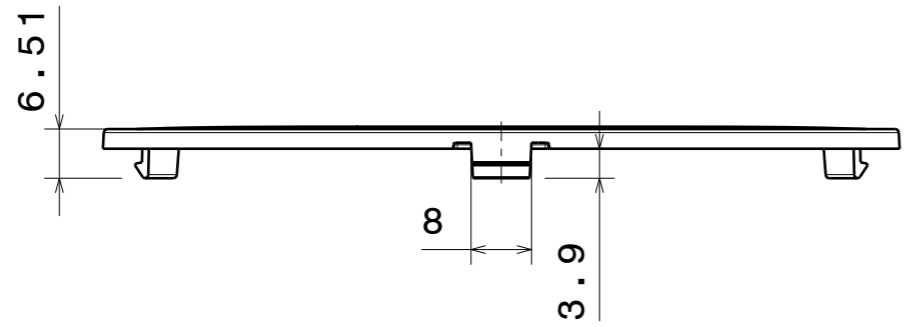
Product Number	C11996_LENA-LENS
Family	Lena
Type	Sublens
Color	
Diameter	107.74 mm
Height	6.51 mm
Style	round
Optic Material	PC
Holder Material	
Fastening	clips
Status	ready
ROHS Compliant	Yes
Date Updated	30/01/2015



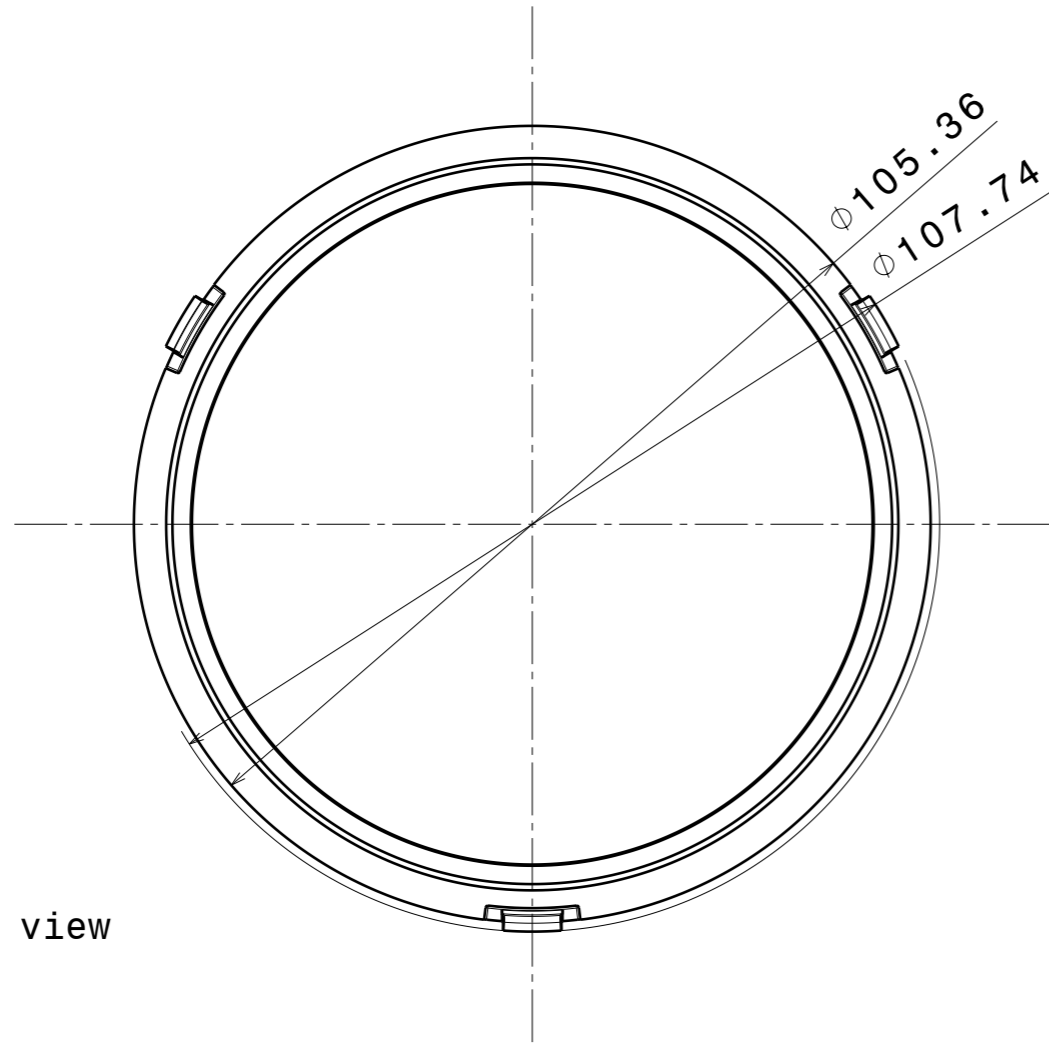
OPTICAL PROPERTIES

LED	Viewing Angle	Light Beam	Efficiency	cd/lm	Connector
	N/A deg		-	sim: 0.000	-

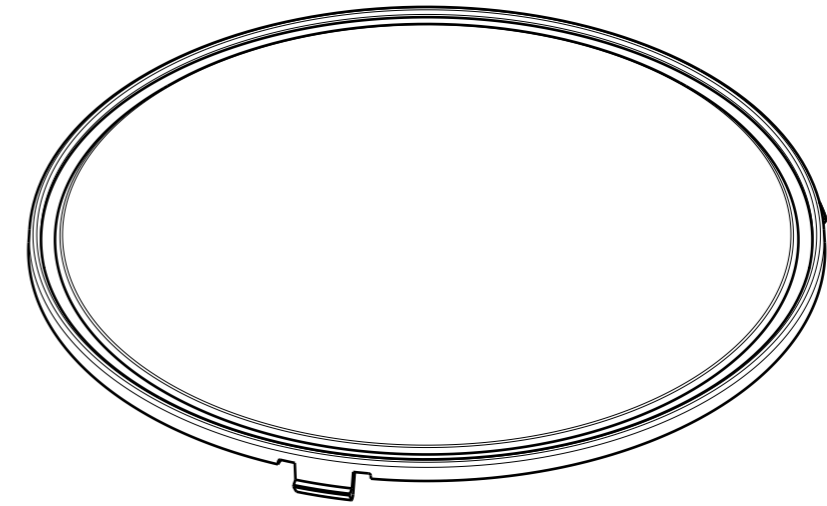
H G F E D C B A



Front view



Top view



Isometric view

INDEX	PART NO	DESCRIPTION	MATERIAL	COLOUR
1	C11996	LENA-LENS	PC	

Tolerances if not otherwise shown
 According to DIN ISO 2768-1
 Linear measures: class C
 According to DIN ISO 2768-2
 Form and position: class L

LEDiL LediL Oy
 Salorankatu 10
 FIN 24240 SALO
 Finland

THIRD ANGLE PROJECTION:

DRAWING TITLE
C11996_LENA-LENS

This drawing is the property
 of LEDiL Oy. It may not be
 reproduced, copied or
 communicated without a written
 agreement with LEDiL Oy.

SIZE	PART NUMBER
A3	C11996

SCALE	1:1	WEIGHT	24,98 g	SHEET	1/1
-------	-----	--------	---------	-------	-----

H G B A

NOTE: The typical divergence will be changed by different color, chip size and chip position tolerance. The typical total divergence is the full angle measured where the luminous intensity is half of the peak value.