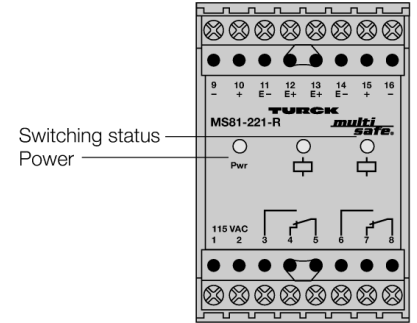
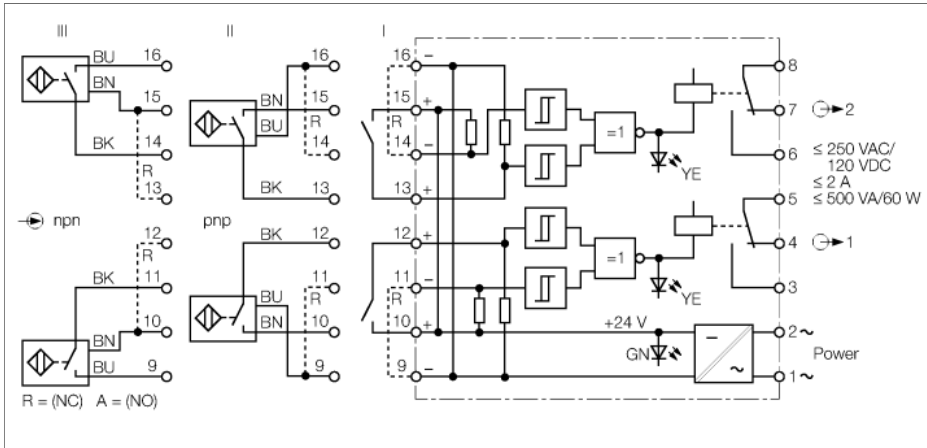


**Amplifier relay
2-channel
MS81-221-R/115VAC**



The 2-channel amplifier relay MS81-221-R/115VAC features relay outputs.

Two pnp 3-wire sensors (II) or two npn 3-wire sensors (III) can be connected to the input. Control via mechanical contacts (I) is also possible (operation as protective relay).

The admissible output current is 50 mA per channel and therefore suitable for use with:

- inductive sensors
- magnetic-inductive sensors
- capacitive sensors
- fiber optic sensors
- ultrasonic sensors

The device features two relay outputs with hard gold contacts (one changeover contact for each channel).

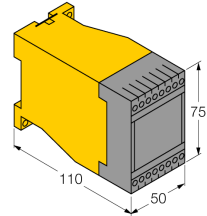
The signal flow direction can be changed from NO mode (without bridge) to NC mode (with bridge).

The green LEDs indicate operational readiness. The yellow LEDs indicate the switching status of the outputs.

- **Power supply and signal processing device**
- **Sensor supply: 24 VDC, 100 mA**
- **Two relay outputs with changeover contact**
- **Removable terminal blocks**
- **Galvanic separation of input circuits, output circuits and power supply**

**Amplifier relay
2-channel
MS81-221-R/115VAC**

Dimensions



Type	MS81-221-R/115VAC
Ident-No.	05109
Nominal voltage	115VAC
Operating voltage	98...132 VAC
Frequency	48...62 Hz
Power consumption	≤ 6 VA
3-wire input	
No-load voltage	24 VDC
Current	≤ 100 mA
0-signal	0...3VDC
1-signal	5...30 VDC
Output circuits (digital)	2 x relay (change-over)
Relay switching voltage	≤ 250 VAC/120 VDC
Switching current per output	≤ 2 A
Switching capacity per output	≤ 500 VA/60 W
Switching frequency	≤ 10 Hz
Contact quality	AgNi, 3μ Au
Rise time (10-90%)	≤ 15 ms
Dropout time (90...10%)	≤ 15 ms
Galvanic separation	
Test voltage	2.5 kV
Rated voltage	250 V
Indication	
Operational readiness	green
Switching state	yellow
Protection class	IP20
Ambient temperature	-25...+60 °C
Dimensions	75 x 50 x 110 mm
Weight	415 g
Mounting instruction	For mounting on DIN rail or mounting panel
Housing material	Polycarbonate/ABS
Electrical connection	2 x 8-pole removable terminal blocks, reverse polarity protected, screw connection
Terminal cross-section	1 x 2.5 mm ² / 2 x 1.5 mm ²