

Flush-type connector - SACC-DSI-FSB-5CON-L180/SH GN - 1456585


Please be informed that the data shown in this PDF Document is generated from our Online Catalog. Please find the complete data in the user's documentation. Our General Terms of Use for Downloads are valid (<http://phoenixcontact.com/download>)



Sensor/actuator flush-type socket, 5-pos., with green contact carrier, M12 SPEEDCON, shielded, B-coded, rear/screw mounting with M16 thread, with straight solder connection



Key commercial data

| | |
|--------------------------------------|---|
| Packing unit | 20 pc |
| Minimum order quantity | 20 pc |
| GTIN |  4 046356 617215 |
| Weight per Piece (excluding packing) | 14.5 g |
| Custom tariff number | 85366990 |
| Country of origin | Germany |
| Note | Made to Order (non-returnable) |

Technical data

Dimensions

| | |
|--------------------------|------|
| Length of the solder pin | 6 mm |
|--------------------------|------|

Ambient conditions

| | |
|---------------------------------|----------------------------------|
| Ambient temperature (operation) | -25 °C ... 85 °C (Plug / socket) |
| Degree of protection | IP67 |

General

| | |
|-----------------------|-------------------------------|
| Rated current at 40°C | 4 A |
| Rated voltage | 60 V |
| Number of positions | 5 |
| Contact resistance | ≤ 3 mΩ |
| Insulation resistance | ≥ 100 MΩ |
| Coding | B - inverse |
| Standards/regulations | M12 connector IEC 61076-2-101 |
| Status display | No |

Flush-type connector - SACC-DSI-FSB-5CON-L180/SH GN - 1456585

Technical data

General

| | |
|-----------------------------|---------------------------------|
| Surge voltage category | II |
| Pollution degree | 3 |
| Connection method | Solder pins |
| Insertion/withdrawal cycles | > 100 |
| Mounting type | Rear mounting Pg9 With flat nut |

Material

| | |
|---|------------------------------|
| Inflammability class according to UL 94 | V0 |
| Contact material | CuZn |
| Contact surface material | Au |
| Contact carrier material | PA 66 |
| Material, knurls | Zinc die-cast, nickel-plated |
| Sealing material | NBR |

Classifications

eCl@ss

| | |
|------------|----------|
| eCl@ss 4.0 | 27250313 |
| eCl@ss 4.1 | 27250313 |
| eCl@ss 5.0 | 27143423 |
| eCl@ss 5.1 | 27143423 |
| eCl@ss 6.0 | 27143423 |
| eCl@ss 7.0 | 27449001 |
| eCl@ss 8.0 | 27440103 |

ETIM

| | |
|----------|----------|
| ETIM 4.0 | EC002061 |
| ETIM 5.0 | EC002061 |

UNSPSC

| | |
|---------------|----------|
| UNSPSC 6.01 | 31261501 |
| UNSPSC 7.0901 | 31261501 |
| UNSPSC 11 | 31261501 |
| UNSPSC 12.01 | 31261501 |
| UNSPSC 13.2 | 31261501 |

Approvals

Approvals

Approvals

EAC / cULus Recognized

Flush-type connector - SACC-DSI-FSB-5CON-L180/SH GN - 1456585

Approvals

Ex Approvals

Approvals submitted

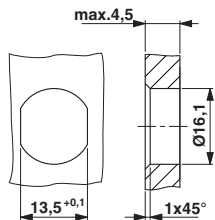
Approval details

| |
|-----|
| EAC |
|-----|

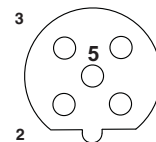
| | |
|--------------------------------|------|
| cULus Recognized | |
| mm ² /AWG/kcmil | 20 |
| Nominal current I _N | 4 A |
| Nominal voltage U _N | 60 V |

Drawings

Dimensioned drawing



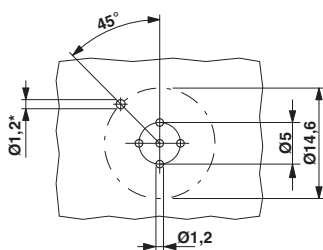
Schematic diagram



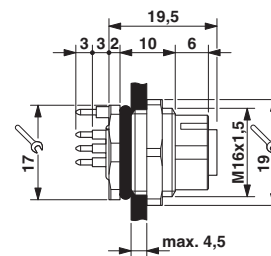
Pin assignment M12 socket, 5-pos., B-coded, female side

Housing cutout for M16 fastening thread, mounting panel with feed-through hole (alternatively with area as anti-rotation protection for panel thicknesses > 2 mm up to max. 4.5 mm)

Drilling diagram



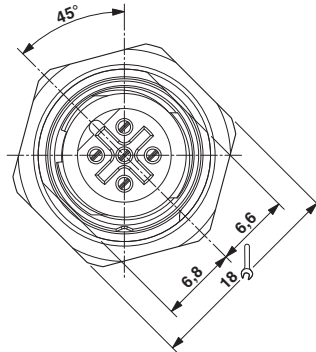
Dimensioned drawing



M12 flush-type connector

Flush-type connector - SACC-DSI-FSB-5CON-L180/SH GN - 1456585

Dimensioned drawing



M12 front view