

C702B with card locking

Part No. C702 10M008 907 2

Series Smart Card Connectors

Subseries Smart Card Connector C702B



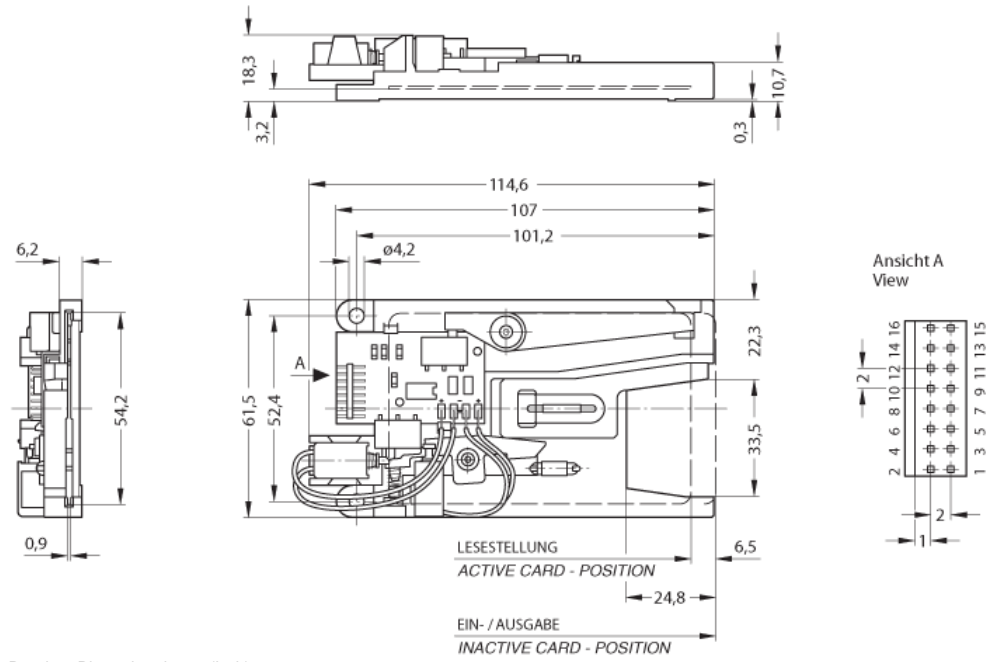
COMMON CHARACTERISTICS		
Contact position		ISO
Card handling		PUSHMATIC II
Function		Chip card reader
Current pulse length		< 2 s
Style		PUSHMATIC II
Termination		Male connector - 2 x 8 contacts 2 mm pitch
Suitable connector		Female connector - 2 x 8 contacts 2 mm pitch
ELECTRICAL CHARACTERISTICS		
Contact resistance	IEC 60512-2, Test 2a	≤ 100000 m
Insulation resistance	IEC 60512-3, Test 3a	≥ 10 ⁹
Voltage proof	IEC 60512-2, Test 4a	500 V
Operating voltage		5 ± 10 % V
Current consumption		< 10mA
CLIMATICAL CHARACTERISTICS		
Operating temperature		-25 °C ... +70 °C
Storage temperature		-40 °C ... +85 °C
Climatic category	DIN EN 60068-1 / IEC 60068-1	25 / 70 / 21
MECHANICAL CHARACTERISTICS		
Card extraction force	IEC 60512-7, Test 13b	≤ 12 N
Mechanical lifetime	IEC 60512-5, Test 9a (without corrosion stress)	300.000 mating cycles
Vibration	IEC 0512-6-4, Test 6d	f = 10 ... 60 Hz; 0,5 mm DA f = 60 ... 500 Hz; a = 2,5 g 2 h / Axis
Shock, without disconnection	IEC 60512-4, Test 6c	≤ 40 g; 11 ms; halfsine 100 / direction in 3 axis
Shock, without destruction	IEC 60512-6-3, Test 6c	200g; 6ms; halfsine; 2 / direction in 3 axis
UNLOCKING SOLENOID (PUSHMATIC ONLY)		
Unlocking solenoid (rated voltage)		5 V ± 10%
Unlocking solenoid (current consumption)		~ 5,3 A
Current pulse length		10 .. 25 ms
Pulse break		≥ 1 s
POWER FAILURE SOLENOID (DETECTOR)		
Power failure solenoid (rated voltage)		5 V ± 10%
Current consumption initial		~ 0,9 A
Current consumption holding		~ 0,27 A
Pulse break up to 50°C		> 10 s
Pulse break over 50°C		> 30 s
SWITCH		
EMV switch		Card in active position, detects early pull out
Locking detector		Contacts locked, card in active position
Card presence switch		Card detection, card in slot

C702B with card locking

Part No. C702 10M008 907 2

Series Smart Card Connectors

Subseries Smart Card Connector C702B



Drawing Dimensions in mm (Inch)