



ENGLISH

Datasheet

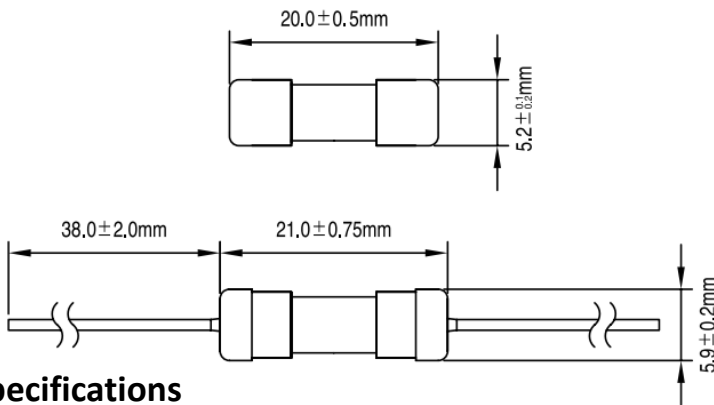
Conquer 5 x 20 mm T Cartridge Fuse, 0.063 A, 250 V ac

RS Stock Number: 563-683

Part Number: VBS USL 250mA 250V (05)



Dimensions: (mm)



Specifications

- Interrupting Ratings: 35 amperes or 10 in rated current; whichever is greater at 250V AC
- Operating Temperature: -55°C to +125°C

Materials

- Glass body / Nickel Plated Brass Caps
- Lead wire : Tin-Lead plated Copper
- Diameter : 0.8mm

Electrical Characteristics

Rated Current	1.5In		2.1In		2.75 In		4 In		10 In	
	MIN	MAX	MIN	MAX	MIN	MAX	MIN	MAX	MIN	MAX
63mA~100mA	60 min	2 min	200 ms	10 sec	40 ms	3 sec	10 ms	300 ms		
125mA~6.3A	60 min	2 min	600 ms	10 sec	150 ms	3 sec	20 ms	300 ms		
8A~10A	30 min	2 min	600 ms	10 sec	150 ms	3 sec	20 ms	300 ms		

UL File Number: E82636

