



LABEL HOLDER, FLAT, FRAME WITH ROUNDED BOTTOM, BLACK, FOR LABELING PLATE 27MM X 27MM

Figure similar

product brand name		SIRIUS ACT
Product designation		Commanding and signaling devices
Design of the product		Label holder for labling plate

Installation/ mounting/ dimensions:		
Height	mm	59.3
Width	mm	27.2

Accessories:		
Material of accessory		Plastic
Color of label holder		Black
Mounting type of label		snap on

Certificates/ approvals:

Further information

Information- and Downloadcenter (Catalogs, Brochures,...)

<http://www.siemens.com/industrial-controls/catalogs>

Industry Mall (Online ordering system)

<http://www.siemens.com/industrymall>

Cax online generator

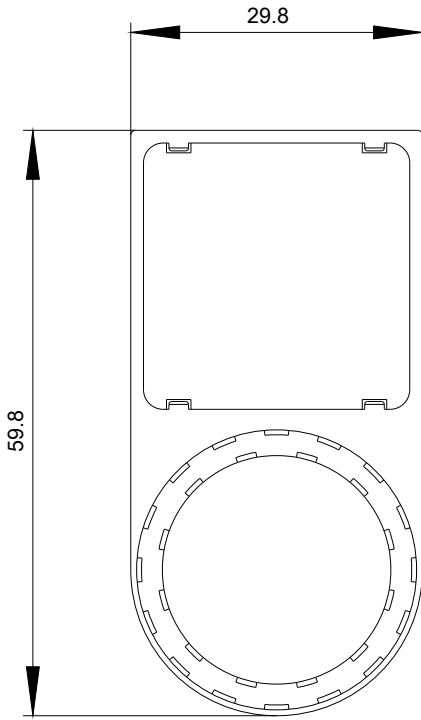
<http://support.automation.siemens.com/WW/CAXorder/default.aspx?lang=en&mfb=3SU19000AT100AA0>

Service&Support (Manuals, Certificates, Characteristics, FAQs,...)

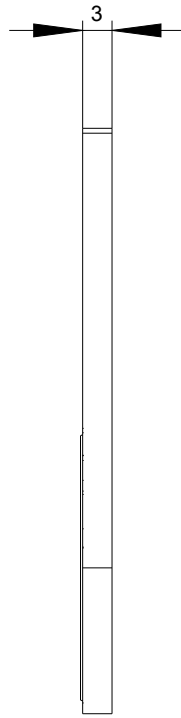
<http://support.automation.siemens.com/WW/view/en/3SU19000AT100AA0/all>

Image database (product images, 2D dimension drawings, 3D models, device circuit diagrams, EPLAN macros, ...)

http://www.automation.siemens.com/bilddb/cax_de.aspx?mfb=3SU19000AT100AA0&lang=en



last modified:



09.03.2015