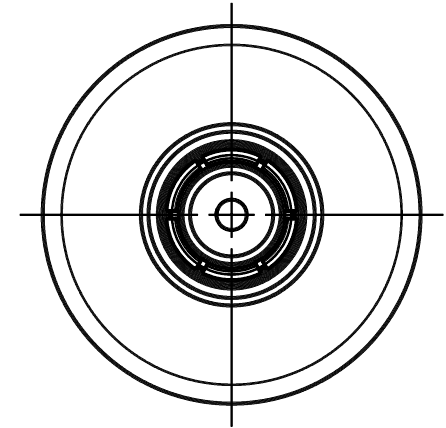
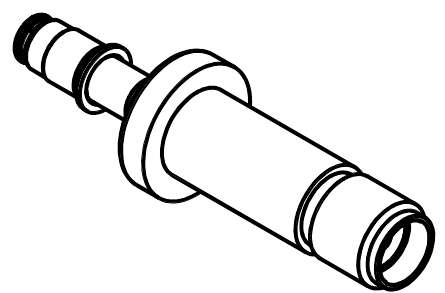


Steckbereich nach IEC 169-15 Grade1
Mating area acc.to IEC 169-15 Grade1



Einzelteil / Part	Werkstoff / Material	Oberflaeche / Surface
Connector body	Brass	TRIBOR - min 0,2µm Au
Outer contact	Brass / B05	TRIBOR - min 1,3µm Au
Inner contact	CuBe / Stainl. steel	Au 1,3µm
Safety ring	Brass	Ni - min 1,3µm
Insulation	PTFE	-



		general tolerance	scale: 5:1	
		ISO 2768 mH	Assembly instruction: Stripping dimension:	
	date	name	Adapter Adapter	
	23.11.00	Zech		
	Norm		3115.49.8910.00'	
	32468			
			Rev.	
nr.	rev.	alteration	date	name