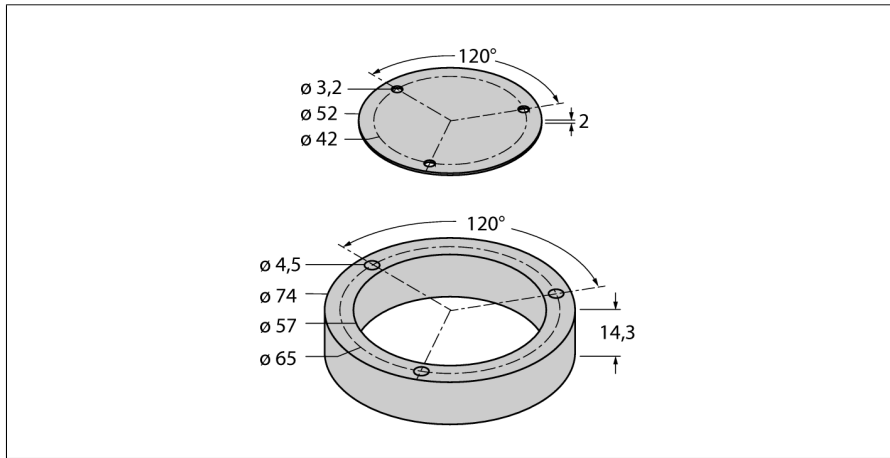


**Aluminium protecting ring and shielding plate
for inductive encoders Ri-QR24
M4-QR24**



- Positioning element
- Hollow shaft, internal diameter 6 mm
- Incl. mounting option for shaft adapter

Type code	M4-QR24
Ident no.	1590919