

4

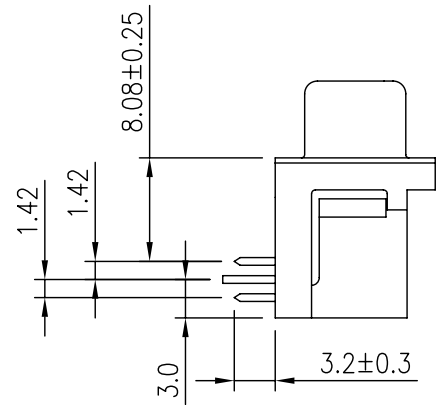
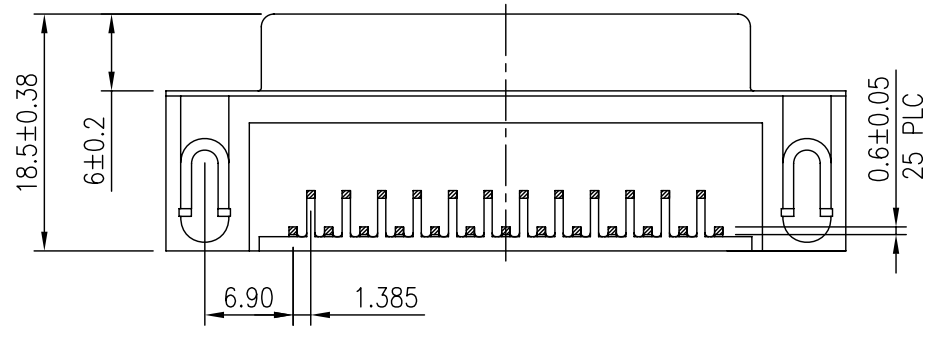
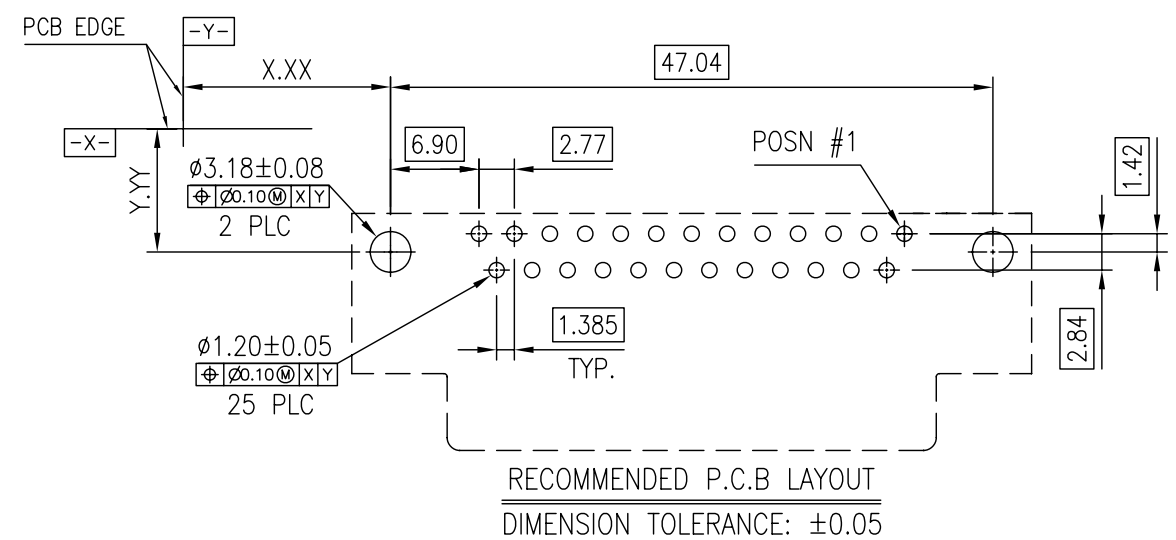
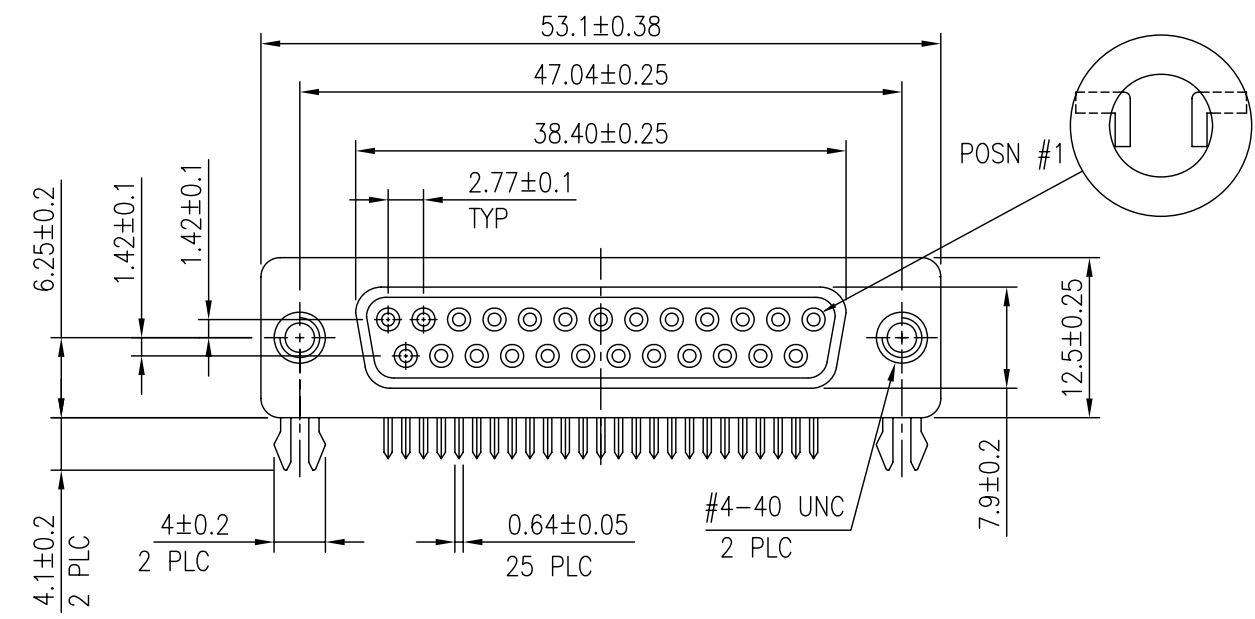
3

2

1

THIS DRAWING IS UNPUBLISHED. RELEASED FOR PUBLICATION
 © COPYRIGHT BY TYCO ELECTRONICS CORPORATION. ALL RIGHTS RESERVED.

LOC	DIST	REVISIONS					
DW		P	LTR	DESCRIPTION	DATE	DWN	APVD
		A		REVISED (ECR-08-024310)	06NOV08	B.W	S.C



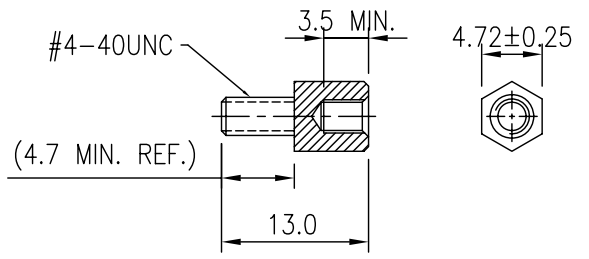
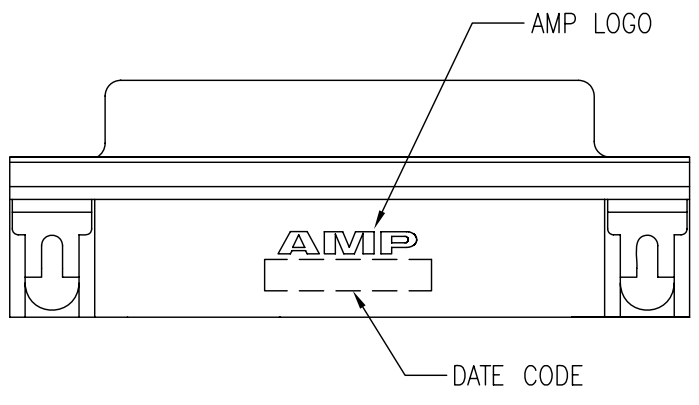
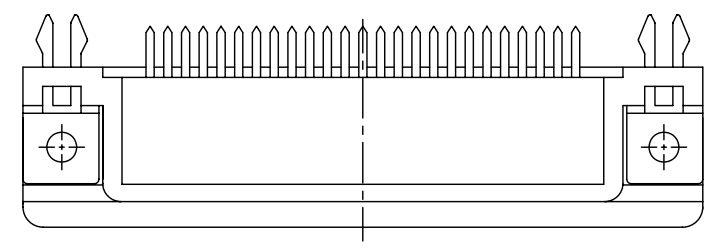
- NOTES:
- MATERIAL:
 - HOUSING: PBT OR NY9T, UL 94V-0 RATED, COLOR: SEE TABLE
 - CONTACTS: PHOSPHOR BRONZE
 - SHELL: SPCC
 - BOARDLOCKS: BRASS
 - RIVET: BRASS
 - FINISH:
 - CONTACT:
 - GOLD PLATING ON CONTACT AREA. (SEE TABLE)
 - 100u" MIN. MATTE TIN PLATING ON SOLDER TAIL AREA, 50u" MIN. NICKEL UNDERPLATED OVERALL,
 - BOARDLOCK:
 - 100u" MIN MATTE TIN PLATING
 - 50u" MIN NICKEL UNDERPLATED OVERALL,
 - SHELL: NICKEL PLATING OVERALL
 - RIVET: NICKEL PLATING OVERALL
 - RECOMMENDED PCB THICKNESS: 1.6 mm
 - WAVE SOLDER CAPABLE TO 265°C, PER TE SPEC. 109-202, CONDITION B.
 - THREADED INSERTS MUST WITHSTAND 6 IN-LBS TORQUE.

C

C

B

B



THIS PRODUCT EQUIPPED WITH NO SCREW
 RECOMMENDED OUTSOURCING SCREW TYPE

THIS DRAWING IS A CONTROLLED DOCUMENT.		DWN	J. LEE	09MAR2007	Tyco Electronics Corporation Taipei, Taiwan		
DIMENSIONS: MM		CHK	S. HOU	09MAR2007	NAME		
TOLERANCES UNLESS OTHERWISE SPECIFIED:		APVD	W.J. KE	09MAR2007	AMPLIMITE 8.08mm[0.318in] SERIES, R/A, RCPT, 25 POS		
0 PLC ± -		PRODUCT SPEC		QUALIFICATION TEST REPORT		RESTRICTED TO	
1 PLC ± 0.38		108-57541		501-57623			
2 PLC ± 0.25		WEIGHT		7.0 GRAMS			
3 PLC ± 0.15		CUSTOMER DRAWING		SCALE			
4 PLC ± -		FINISH		SEE NOTE			
ANGLES ± -		MATERIAL		SEE NOTE			
		MATERIAL		SEE NOTE			
		FINISH		SEE NOTE			
		WEIGHT		7.0 GRAMS			
		CUSTOMER DRAWING		SCALE			
		MATERIAL		SEE NOTE			
		FINISH		SEE NOTE			
		WEIGHT		7.0 GRAMS			
		CUSTOMER DRAWING		SCALE			
		MATERIAL		SEE NOTE			
		FINISH		SEE NOTE			
		WEIGHT		7.0 GRAMS			
		CUSTOMER DRAWING		SCALE			
		MATERIAL		SEE NOTE			
		FINISH		SEE NOTE			
		WEIGHT		7.0 GRAMS			
		CUSTOMER DRAWING		SCALE			
		MATERIAL		SEE NOTE			
		FINISH		SEE NOTE			
		WEIGHT		7.0 GRAMS			
		CUSTOMER DRAWING		SCALE			
		MATERIAL		SEE NOTE			
		FINISH		SEE NOTE			
		WEIGHT		7.0 GRAMS			
		CUSTOMER DRAWING		SCALE			
		MATERIAL		SEE NOTE			
		FINISH		SEE NOTE			
		WEIGHT		7.0 GRAMS			
		CUSTOMER DRAWING		SCALE			
		MATERIAL		SEE NOTE			
		FINISH		SEE NOTE			
		WEIGHT		7.0 GRAMS			
		CUSTOMER DRAWING		SCALE			
		MATERIAL		SEE NOTE			
		FINISH		SEE NOTE			
		WEIGHT		7.0 GRAMS			
		CUSTOMER DRAWING		SCALE			
		MATERIAL		SEE NOTE			
		FINISH		SEE NOTE			
		WEIGHT		7.0 GRAMS			
		CUSTOMER DRAWING		SCALE			
		MATERIAL		SEE NOTE			
		FINISH		SEE NOTE			
		WEIGHT		7.0 GRAMS			
		CUSTOMER DRAWING		SCALE			
		MATERIAL		SEE NOTE			
		FINISH		SEE NOTE			
		WEIGHT		7.0 GRAMS			
		CUSTOMER DRAWING		SCALE			
		MATERIAL		SEE NOTE			
		FINISH		SEE NOTE			
		WEIGHT		7.0 GRAMS			
		CUSTOMER DRAWING		SCALE			
		MATERIAL		SEE NOTE			
		FINISH		SEE NOTE			
		WEIGHT		7.0 GRAMS			
		CUSTOMER DRAWING		SCALE			
		MATERIAL		SEE NOTE			
		FINISH		SEE NOTE			
		WEIGHT		7.0 GRAMS			
		CUSTOMER DRAWING		SCALE			
		MATERIAL		SEE NOTE			
		FINISH		SEE NOTE			
		WEIGHT		7.0 GRAMS			
		CUSTOMER DRAWING		SCALE			
		MATERIAL		SEE NOTE			
		FINISH		SEE NOTE			
		WEIGHT		7.0 GRAMS			
		CUSTOMER DRAWING		SCALE			
		MATERIAL		SEE NOTE			
		FINISH		SEE NOTE			
		WEIGHT		7.0 GRAMS			
		CUSTOMER DRAWING		SCALE			
		MATERIAL		SEE NOTE			
		FINISH		SEE NOTE			
		WEIGHT		7.0 GRAMS			
		CUSTOMER DRAWING		SCALE			
		MATERIAL		SEE NOTE			
		FINISH		SEE NOTE			
		WEIGHT		7.0 GRAMS			
		CUSTOMER DRAWING		SCALE			
		MATERIAL		SEE NOTE			
		FINISH		SEE NOTE			
		WEIGHT		7.0 GRAMS			
		CUSTOMER DRAWING		SCALE			
		MATERIAL		SEE NOTE			
		FINISH		SEE NOTE			
		WEIGHT		7.0 GRAMS			
		CUSTOMER DRAWING		SCALE			
		MATERIAL		SEE NOTE			
		FINISH		SEE NOTE			
		WEIGHT		7.0 GRAMS			
		CUSTOMER DRAWING		SCALE			
		MATERIAL		SEE NOTE			
		FINISH		SEE NOTE			
		WEIGHT		7.0 GRAMS			
		CUSTOMER DRAWING		SCALE			
		MATERIAL		SEE NOTE			
		FINISH		SEE NOTE			
		WEIGHT		7.0 GRAMS			
		CUSTOMER DRAWING		SCALE			
		MATERIAL		SEE NOTE			
		FINISH		SEE NOTE			
		WEIGHT		7.0 GRAMS			
		CUSTOMER DRAWING		SCALE			
		MATERIAL		SEE NOTE			
		FINISH		SEE NOTE			
		WEIGHT		7.0 GRAMS			
		CUSTOMER DRAWING		SCALE			
		MATERIAL		SEE NOTE			
		FINISH		SEE NOTE			
		WEIGHT		7.0 GRAMS			
		CUSTOMER DRAWING		SCALE			
		MATERIAL		SEE NOTE			
		FINISH		SEE NOTE			
		WEIGHT		7.0 GRAMS			
		CUSTOMER DRAWING		SCALE			
		MATERIAL		SEE NOTE			
		FINISH		SEE NOTE			
		WEIGHT		7.0 GRAMS			
		CUSTOMER DRAWING		SCALE			
		MATERIAL		SEE NOTE			
		FINISH		SEE NOTE			
		WEIGHT		7.0 GRAMS			
		CUSTOMER DRAWING		SCALE			
		MATERIAL		SEE NOTE			
		FINISH		SEE NOTE			
		WEIGHT		7.0 GRAMS			
		CUSTOMER DRAWING		SCALE			
		MATERIAL		SEE NOTE			
		FINISH		SEE NOTE			
		WEIGHT		7.0 GRAMS			
		CUSTOMER DRAWING		SCALE			
		MATERIAL		SEE NOTE			
		FINISH		SEE NOTE			
		WEIGHT		7.0 GRAMS			
		CUSTOMER DRAWING		SCALE			
		MATERIAL		SEE NOTE			
		FINISH		SEE NOTE			
		WEIGHT		7.0 GRAMS			
		CUSTOMER DRAWING		SCALE			
		MATERIAL		SEE NOTE			
		FINISH		SEE NOTE			
		WEIGHT		7.0 GRAMS			
		CUSTOMER DRAWING		SCALE			
		MATERIAL		SEE NOTE			
		FINISH		SEE NOTE			
		WEIGHT		7.0 GRAMS			
		CUSTOMER DRAWING		SCALE			
		MATERIAL		SEE NOTE			
		FINISH		SEE NOTE			
		WEIGHT		7.0 GRAMS			
		CUSTOMER DRAWING		SCALE			
		MATERIAL		SEE NOTE			
		FINISH		SEE NOTE			
		WEIGHT		7.0 GRAMS			
		CUSTOMER DRAWING		SCALE			
		MATERIAL		SEE NOTE			
		FINISH		SEE NOTE			
		WEIGHT		7.0 GRAMS			
		CUSTOMER DRAWING		SCALE			
		MATERIAL		SEE NOTE			
		FINISH		SEE NOTE			
		WEIGHT		7.0 GRAMS			
		CUSTOMER DRAWING		SCALE			
		MATERIAL		SEE NOTE			
		FINISH		SEE NOTE			
		WEIGHT		7.0 GRAMS			
		CUSTOMER DRAWING		SCALE			
		MATERIAL		SEE NOTE			
		FINISH		SEE NOTE			
		WEIGHT		7.0 GRAMS			
		CUSTOMER DRAWING		SCALE			
		MATERIAL		SEE NOTE			
		FINISH		SEE NOTE			
		WEIGHT		7.0 GRAMS			
		CUSTOMER DRAWING		SCALE			
		MATERIAL		SEE NOTE			
		FINISH		SEE NOTE			
		WEIGHT		7.0 GRAMS			
		CUSTOMER DRAWING		SCALE			
		MATERIAL		SEE NOTE			
		FINISH		SEE NOTE			
		WEIGHT		7.0 GRAMS			
		CUSTOMER DRAWING		SCALE			
		MATERIAL		SEE NOTE			
		FINISH		SEE NOTE			
		WEIGHT		7.0 GRAMS			
		CUSTOMER DRAWING		SCALE			
		MATERIAL		SEE NOTE			
		FINISH		SEE NOTE			
		WEIGHT		7.0 GRAMS			
		CUSTOMER DRAWING		SCALE			
		MATERIAL		SEE NOTE			
		FINISH		SEE NOTE			
		WEIGHT		7.0 GRAMS			
		CUSTOMER DRAWING		SCALE			
		MATERIAL		SEE NOTE			
		FINISH		SEE NOTE			
		WEIGHT		7.0 GRAMS			
		CUSTOMER DRAWING		SCALE			
		MATERIAL		SEE NOTE			
		FINISH		SEE NOTE			
		WEIGHT		7.0 GRAMS			
		CUSTOMER DRAWING		SCALE			
		MATERIAL		SEE NOTE			
		FINISH		SEE NOTE			
		WEIGHT		7.0 GRAMS			
		CUSTOMER DRAWING		SCALE			
		MATERIAL		SEE NOTE			
		FINISH		SEE NOTE			
		WEIGHT		7.0 GRAMS			
		CUSTOMER DRAWING		SCALE			
		MATERIAL		SEE NOTE			
		FINISH		SEE NOTE			
		WEIGHT		7.0 GRAMS			
		CUSTOMER DRAWING		SCALE			
		MATERIAL		SEE NOTE			
		FINISH		SEE NOTE			
		WEIGHT		7.0 GRAMS			
		CUSTOMER DRAWING		SCALE			
		MATERIAL		SEE NOTE			
		FINISH		SEE NOTE			
		WEIGHT		7.0 GRAMS			
		CUSTOMER DRAWING		SCALE			
		MATERIAL		SEE NOTE			
		FINISH		SEE NOTE			
		WEIGHT		7.0 GRAMS			
		CUSTOMER DRAWING		SCALE			
		MATERIAL		SEE NOTE			
		FINISH		SEE NOTE			
		WEIGHT		7.0 GRAMS			
		CUSTOMER DRAWING		SCALE			
		MATERIAL		SEE NOTE			
		FINISH		SEE NOTE			
		WEIGHT		7.0 GRAMS			
		CUSTOMER DRAW					

4

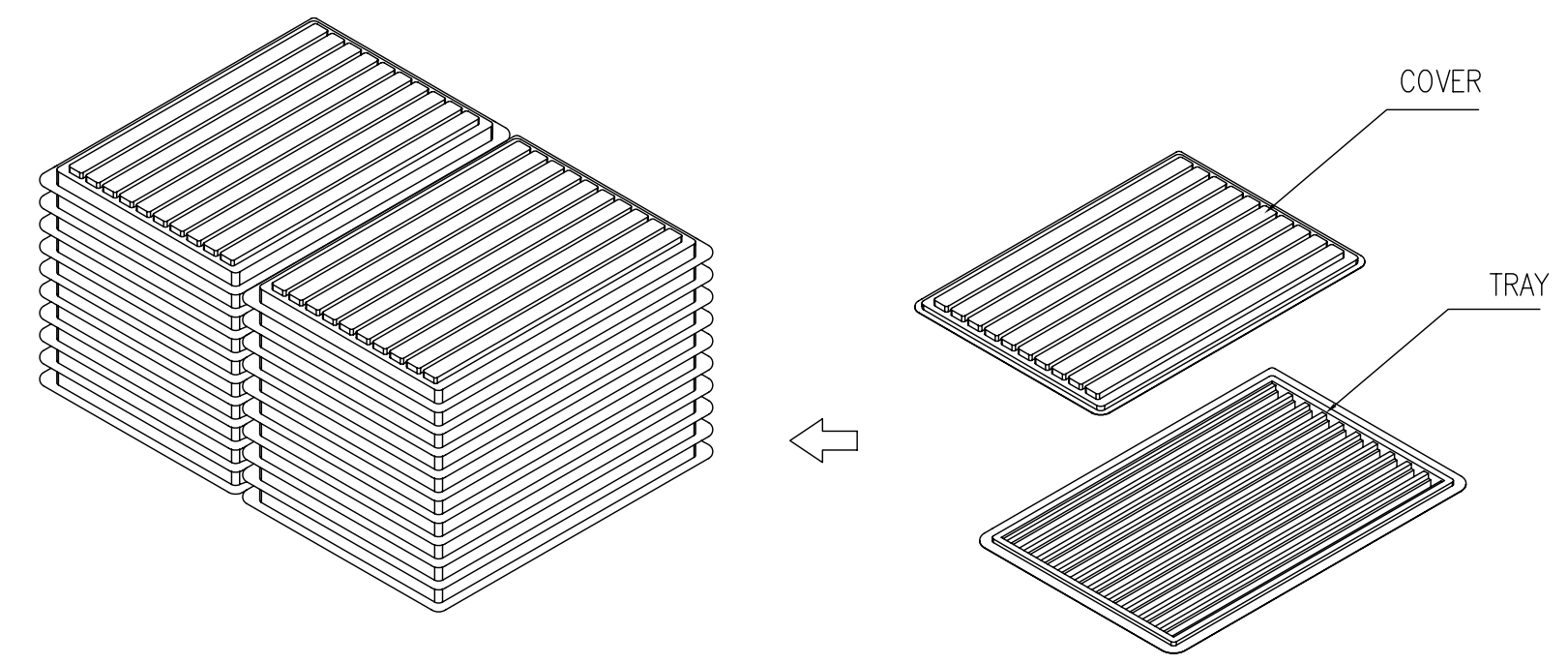
3

2

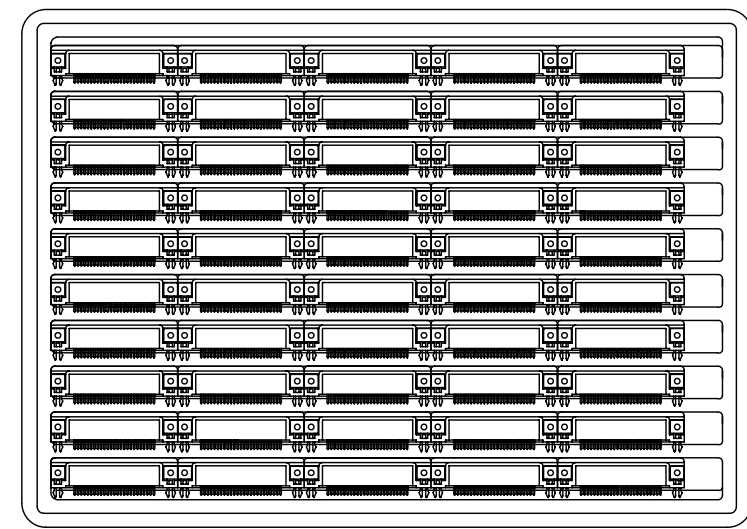
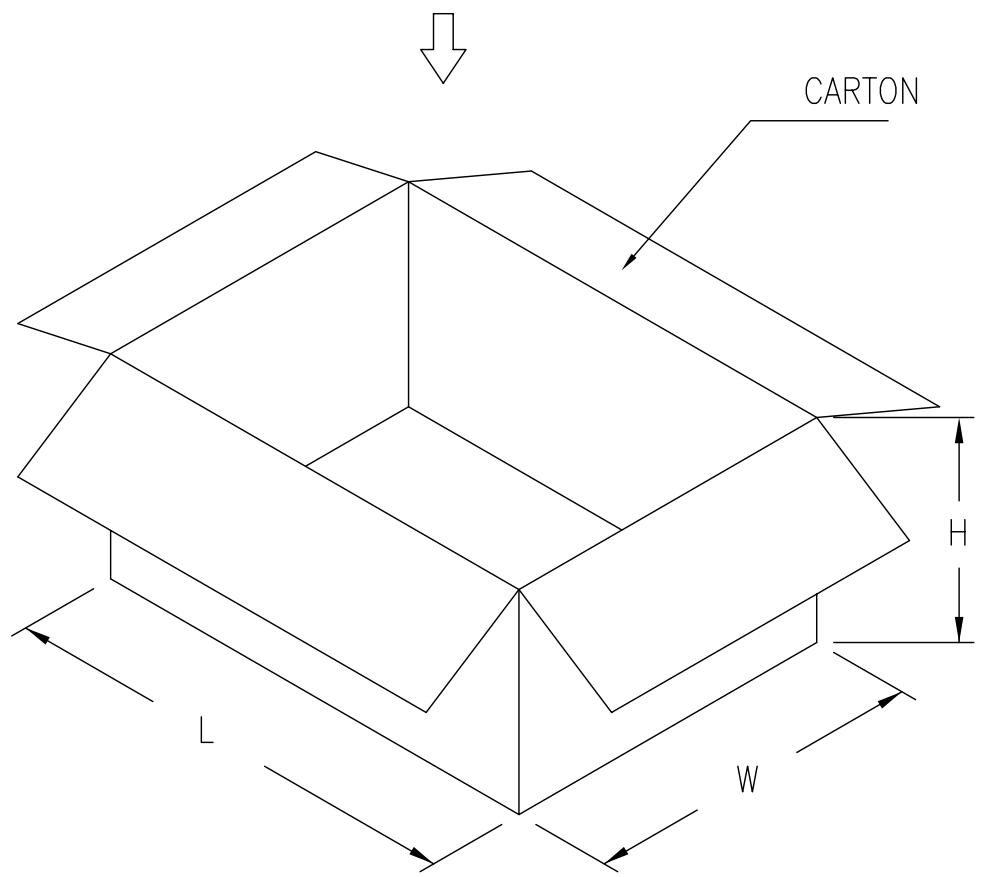
1

THIS DRAWING IS UNPUBLISHED. RELEASED FOR PUBLICATION
 © COPYRIGHT BY TYCO ELECTRONICS CORPORATION. ALL RIGHTS RESERVED.

LOC	DIST	REVISIONS			
P	LTR	DESCRIPTION	DATE	DWN	APVD
DW	/	SEE SHEET 1.			



- NOTES:
- MATERIAL:
 - TRAY: PVC
 - SHIPPING CARTON: CORRUGATED FIBERBOARD
 - DIMENSION:
 - TRAY: L=306, W=217, H=15
 - SHIPPING CARTON: L=440, W=321, H=210
 - QUANTITY:
 - PRIMARY PACKING: 50 PCS/TRAY
 - THIRD PACKING: 20 TRAY/CARTON(1,000PCS)
 - WEIGHT:
 - NET WEIGHT: 7.0 Kg
 - GROSS WEIGHT: 8.0 Kg



D
C
B
A

D
C
B
A

THIS DRAWING IS A CONTROLLED DOCUMENT.		DWN	Tyco Electronics Corporation		
		CHK	Taipei, Taiwan		
		APVD	NAME		
DIMENSIONS: MM		PRODUCT SPEC	AMPLIMITE 8.08mm[0.318in] SERIES, R/A, RCPT, 25 POS		
TOLERANCES UNLESS OTHERWISE SPECIFIED:		APPLICATION SPEC	SIZE	CAGE CODE	DRAWING NO
0 PLC ± -		WEIGHT	A3	00779	C=1734350
1 PLC ± -		CUSTOMER DRAWING	RESTRICTED TO		
2 PLC ± -		SCALE	SHEET		REV
3 PLC ± -			2 of 2		A
4 PLC ± -					
ANGLES ± -					
MATERIAL					
FINISH					