



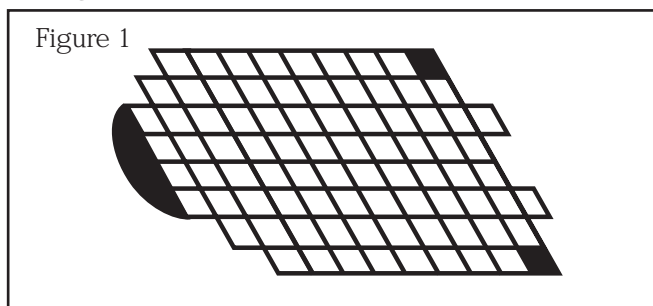
## Instruction Leaflet

# Combimate dual-fit scale prevention system

RS stock no. 242-8337

### Installation Guide

The Combimate Dual-fit is capable of dosing at two different rates. The rate of dosing is dependant upon the total surface area of the Siliphos spheres. Inside the dome is a removable perforated divider plate which reduces the volume and therefore the surface area of the spheres by approximately one half (Figure 1).



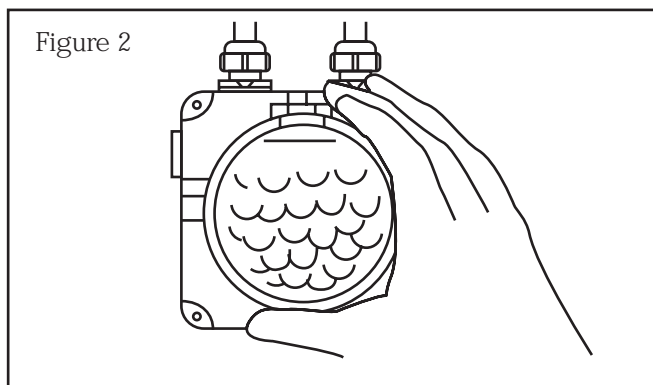
If the Combimate is to dose the cold water supply to the **WHOLE HOUSE** then this divider plate must be **REMOVED AND DISCARDED**.

If the Combimate is to dose only a **SINGLE APPLIANCE** then the divider plate **MUST REMAIN IN PLACE**.

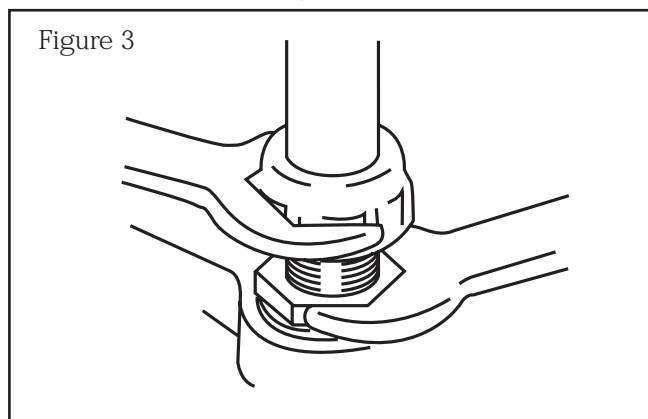
The Combimate dispenser should whenever possible be fitted in a position where it will be permanently on view as a reminder that it must be topped up with Siliphos spheres from time to time. It should be at least eighteen inches away from any appliance in order to prevent warming of the water within the bowl which can cause rapid and uneconomical dissolution of the Siliphos spheres.

It is important that installers take care to avoid soldering flux from coming into contact with the plastic body of the Combimate.

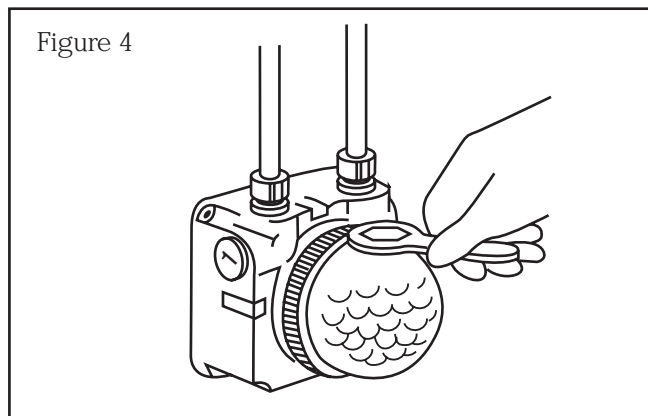
The Combimate may be positioned to coincide with the existing water supply (max working pressure 100 psi). In order to keep the filler plug on top it may be necessary to rotate the dome and relocate the divider plate. **TO REMOVE THE DOME**, unscrew the large aluminium ring (Figure 2). When relocating the dome ensure that the rubber seal is correctly positioned.. The aluminium ring must only be **TIGHTENED BY HAND**, any leakage that occurs will be caused by particles of dirt or Siliphos lodged around the rubber seal.



It is essential when tightening the compression fittings to **HOLD THE INNER NUT WITH A SECOND SPANNER** (Figure 3) in order to avoid damage to the dispenser by overtightening the thread which enters the plastic body.



If the premises are occupied or about to become occupied, pack the dome with Siliphos spheres, and replace the filler plug, tighten with the spanner provided (Figure 4).



Turn on the water supply and replace the cover which will allow water to flow into the unit. Check for leaks.

If the premises are not occupied and the date of occupation is uncertain, filling with Siliphos is **NOT RECOMMENDED**. Siliphos spheres which are immersed for periods of longer than about **THREE MONTHS WITHOUT FLOW** may tend to crumble and particles may block the filters of appliances when flow recommences.

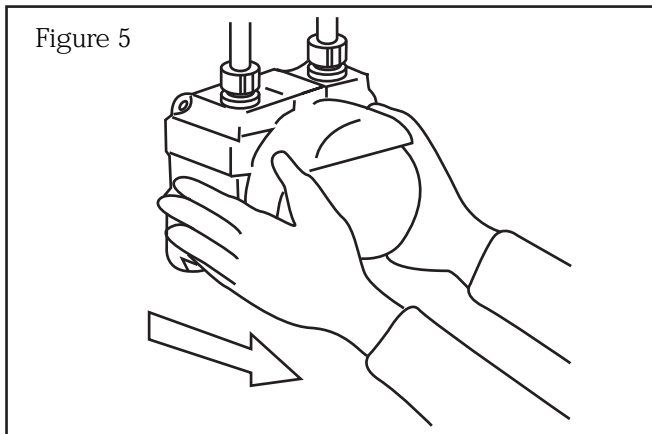
### User Guide

The Combimate scale reducer will deter the formation of scale and reduce corrosion in hot water systems or appliances by adding minute amounts of Siliphos to the cold water which feeds the system. Siliphos is a harmless polyphosphate compound which stabilises the hardness salts present in the water when it is heated and significantly reduces scale build up.

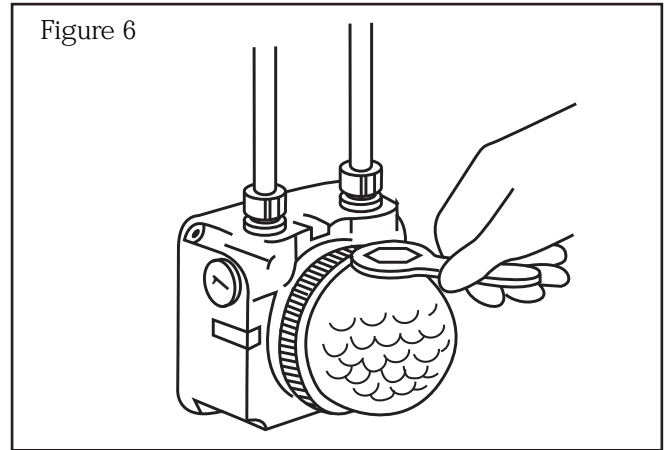
The amount of water that the Combimate can effectively treat depends upon the surface area of the Siliphos spheres contained in the transparent dome. For this reason it is important to check the contents of your dispenser at least once a month.

For replenishment Siliphos see RS catalogue, stock number 242-8343.

### To check or top up the dispenser



Depress the two red buttons placed on either side of the dispenser firmly and simultaneously. This will release the cover and isolate the dispenser both from the mains and from the appliance at the same time (Figure 5).



Undo the red plug using the spanner provided (Figure 6) and insert as many Siliphos spheres as you can through the opening. Replace the red plug and tighten. Then push the cover back on until it snaps into position. Replacing the cover turns the water back on and makes the Combimate ready for use.

If the hot water system or appliance will not be used for more than **THREE MONTHS** it is recommended that you **REMOVE AND DRY THE SILIPHOS SPHERES**. To do this you will need to remove the dome (Figure 2). Siliphos spheres which are immersed for periods of longer than this without flow tend to crumble and particles may block the filters of appliances installed upstream when flow recommences.

When cleaning the Combimate use only warm water and a mild soap. It is also recommended that you renew the complete charge of Siliphos at least once per year.

The information provided in **RS** technical literature is believed to be accurate and reliable; however, RS Components assumes no responsibility for inaccuracies or omissions, or for the use of this information, and all use of such information shall be entirely at the user's own risk. No responsibility is assumed by RS Components for any infringements of patents or other rights of third parties which may result from its use. Specifications shown in RS Components technical literature are subject to change without notice.