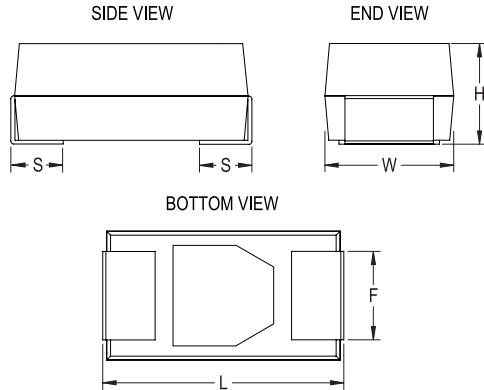


A700, Polymer Aluminum, 330 uF, 20%, 2.5 VDC, -55/+125°C, Height Max = 4.3mm



Dimensions	
L	7.3mm +/-0.3mm
W	4.3mm +/-0.3mm
H	4mm +/-0.3mm
S	1.3mm +/-0.3mm
F	2.4mm +/-0.1mm

Packaging Specifications	
Weight:	305.03 mg
Packaging:	T&R, 180mm
Packaging Quantity:	500

General Information	
Supplier:	KEMET
Series:	A700
Dielectric:	Polymer Aluminum
Style:	SMD Chip
Description:	Surface Mount, Polymer Aluminum
RoHS:	Yes
Termination:	Tin
AEC-Q200:	No
Notes:	X/7343-43
Footprint:	7343
Shelf Life:	104 Weeks
MSL:	3

Specifications	
Capacitance:	330 uF
Capacitance Tolerance:	20%
Voltage DC:	2.5 VDC
Temperature Range:	-55/+125°C
Rated Temperature:	125°C
Dissipation Factor:	6.00%
Resistance:	10 mOhms (100kHz 25C)
Ripple Current:	4700 mAmps (100kHz)
Leakage Current:	49.5 uA (5min 25°C)