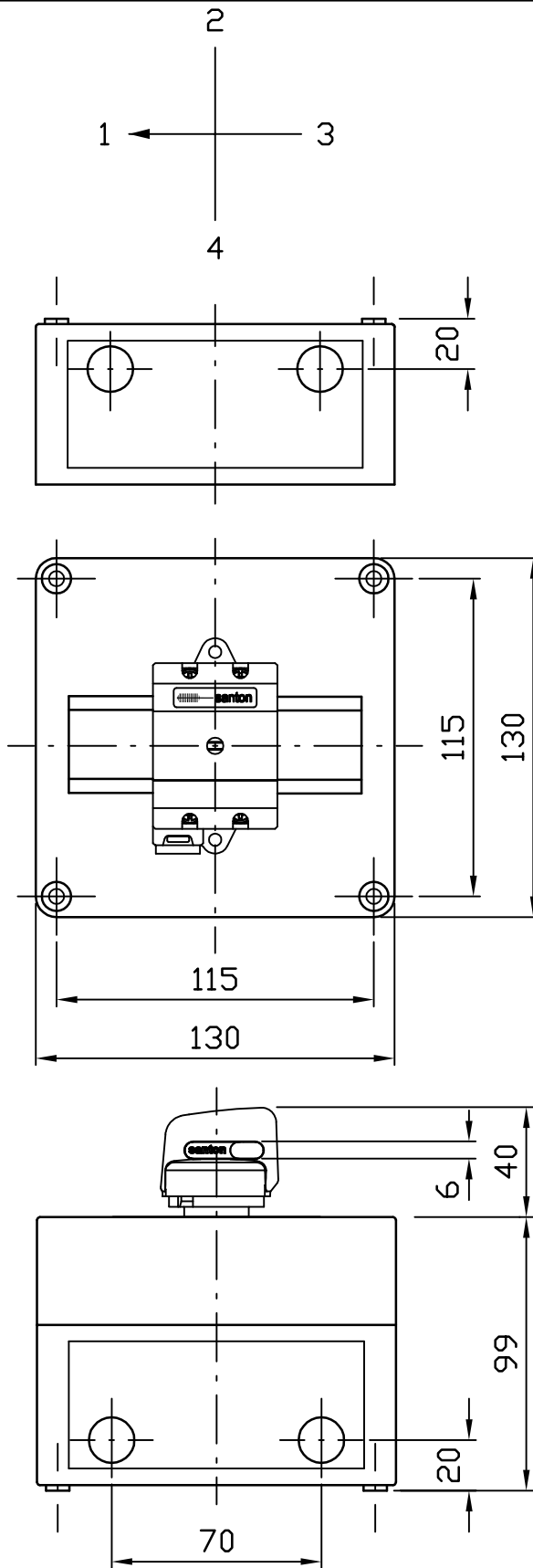
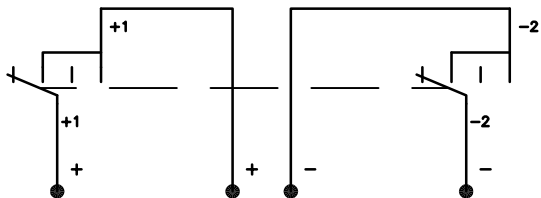


POSITION OF HANDLE

1	OFF (LID REMOVABLE)
2	+1--+1 -1---1
3	LOCK OFF (LID TRAPPED)
4	+1--+1 -1---1

Ith	Ie	Ue
16A	16A	1000V DC21



B				
A			C.Z.	18-07-2011
Rev.			Drn by	Date
			App. by	

SANTON TYPENR. X100.16B2//D-R WITH PRINTING

Drn by : C.Z.	Date : 20-04-2011	App. by :
	Santon Switchgear Ltd Unit 9, Waterside Court Newport NP20 5NT South Wales	Tel. +44 (0)1633 854 111 Fax +44 (0)1633 854 999 info@santonswitchgear.co.uk www.santonswitchgear.com
		Computer nr. 80084