



| | | | |
|------------------------|---------------|-------------|----------------|
| Ordering number | C12219 | | |
| Description | 1 | | |
| Family | Strada-A | FWHM | 82+137 degrees |
| Type | Lens | Efficiency | 94 % |
| LED | LUXEON R | cd/lm | 1.100 |
| Color | Clear | Gerber File | Available |
| Diameter | 19.6 +15.4 mm | | |
| Height | 10.5 mm | | |
| Style | Rectang | | |
| Optic Material | PMMA | | |
| Holder Material | - | | |
| Fastening | - | | |
| Status | On production | | |

NOTE: The typical divergence will be changed by different color, chip size and chip position tolerance. The typical total divergence is the full angle measured where the luminous intensity is half of the peak value.

D

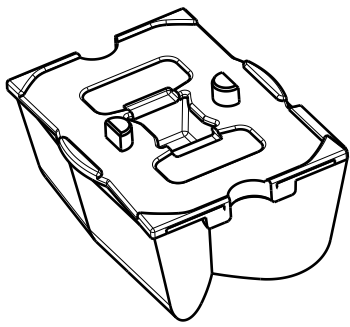
C

B

A

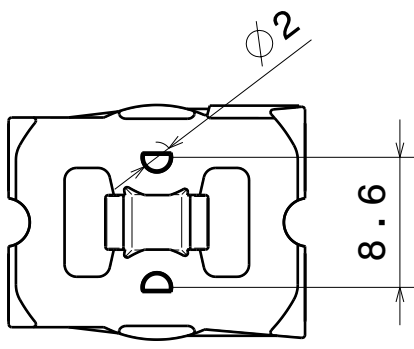
4

4



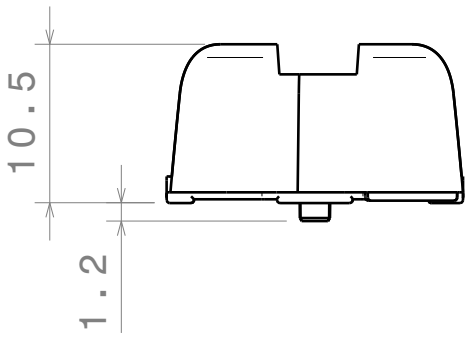
3

3

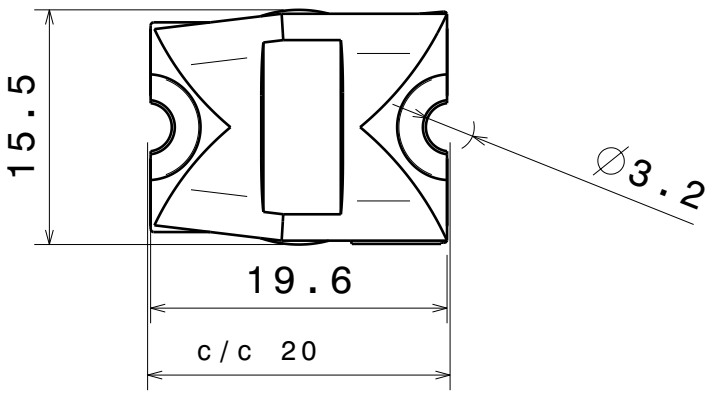


2

2



Material: PMMA



1

1

This drawing is our property.
It can't be reproduced
or communicated without
our written agreement.



L
T
F
F

e
e
i
i
n
n

d

DRAWING TITLE

Datasheet Strada-A2 Lens

DRAWN BY
p

DATE
05.08.2011

CHECKED BY
t k

DATE
07.07.2011

SIZE
A4

DRAWING NUMBER

REV
0.1

DESIGNED BY
hh

DATE
20.11.2008

SCALE 2:1

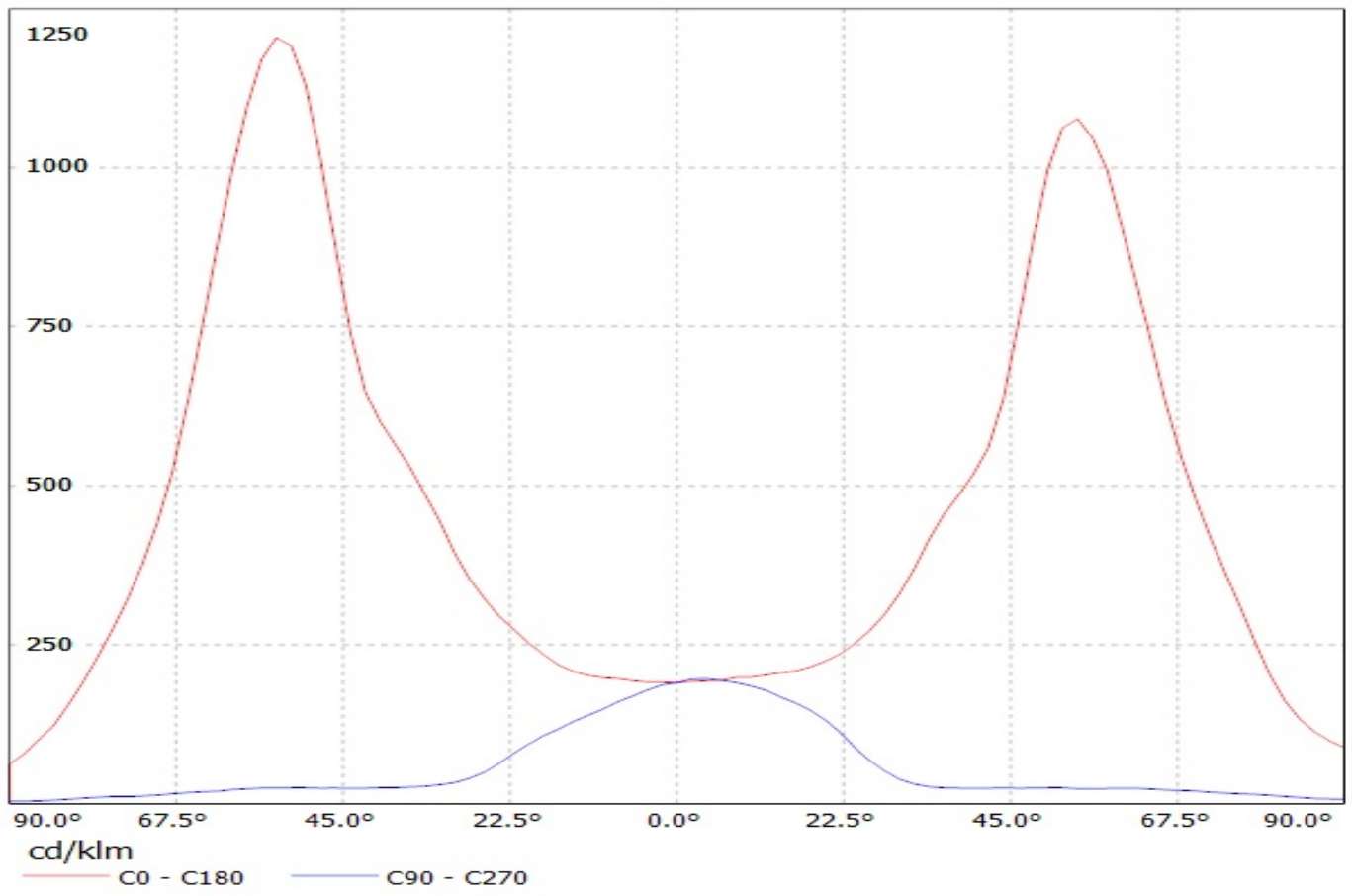
WEIGHT (g)

SHEET 1/1

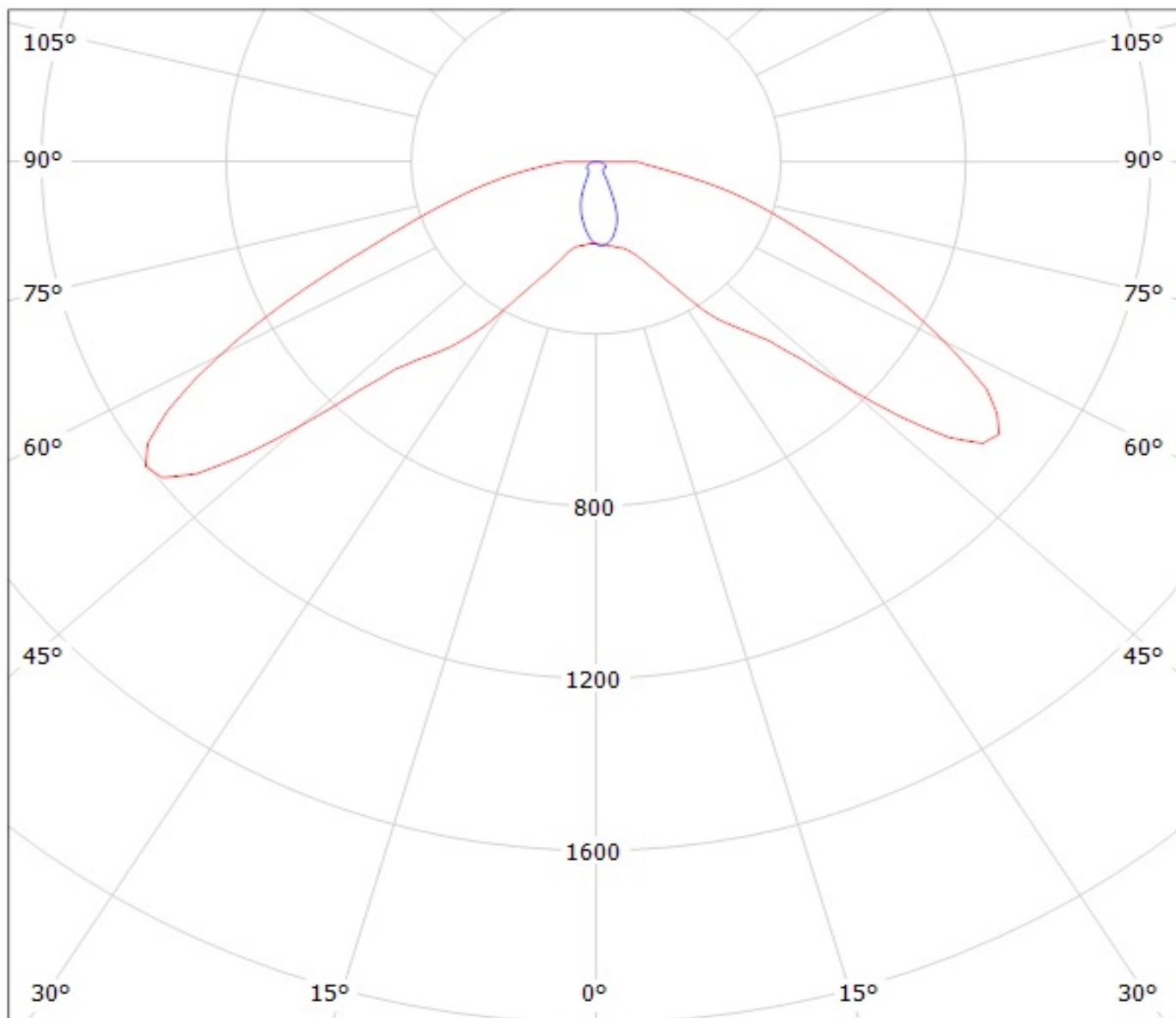
D

A

Luminaire: Ledil Oy C12219_STRADA-A2 (Luxeon R 85lm @ 250mA) Efficiency=94%
Lamps: 1 x Luxeon R 85lm @ 250mA



Luminaire: Ledil Oy C12219_STRADA-A2 (Luxeon R 85lm @ 250mA) Efficiency=94%
Lamps: 1 x Luxeon R 85lm @ 250mA



cd/klm

— C0 - C180 — C90 - C270