



PUSHBUTTON, 30MM, ROUND, METAL, MATT, YELLOW, FRONT RING FOR FLAT INSTALL., LATCHING, PUSH TO UNLATCH

Figure similar

product brand name		SIRIUS ACT
Product designation		Commanding and signaling devices
Design of the product		Pushbutton

Actuator:

Design of the operating mechanism		pushbutton with flat button
Manner of function of the actuating element		Latching
Product expansion optional Light source		No
Color		
• of the actuating element		Yellow
Material of the actuating element		plastic
Shape of the actuating element		round
Outer diameter of the actuating element	mm	38
Type of unlocking device		push-to-unlatch mechanism

Front ring:

Product component front ring		Yes
Design of the front ring		Flat
Material of the front ring		Metal, matt
Color of the front ring		sand gray

General technical data:

Vibration resistance		
• acc. to IEC 60068-2-6		10 ... 500 Hz: 5g
Operating frequency maximum	1/h	1 800
Mechanical service life (switching cycles)		
• typical		500 000

Equipment marking		
• acc. to DIN EN 61346-2		S
• acc. to DIN EN 81346-2		S

Ambient conditions:		
Ambient temperature		
• during operation	°C	-25 ... +70
• during storage	°C	-40 ... +80

Installation/ mounting/ dimensions:		
Height	mm	38
Width	mm	38
Shape of the installation opening		round
Mounting diameter	mm	30.5

Certificates/ approvals:

Further information

Information- and Downloadcenter (Catalogs, Brochures,...)

<http://www.siemens.com/industrial-controls/catalogs>

Industry Mall (Online ordering system)

<http://www.siemens.com/industrymall>

Cax online generator

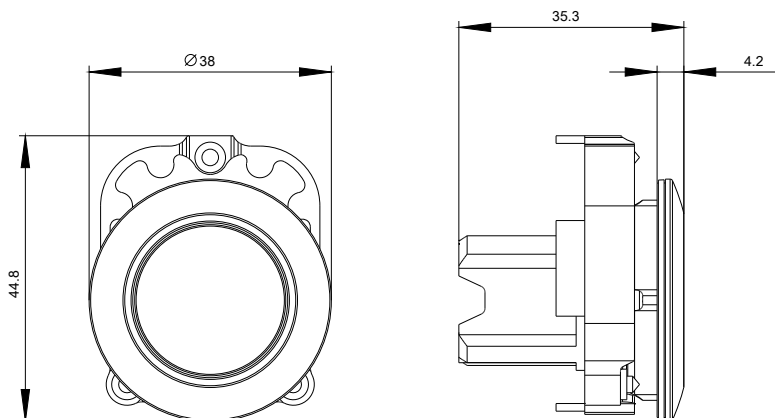
<http://support.automation.siemens.com/WW/CAXorder/default.aspx?lang=en&mfb=3SU10600JA300AA0>

Service&Support (Manuals, Certificates, Characteristics, FAQs,...)

<http://support.automation.siemens.com/WW/view/en/3SU10600JA300AA0/all>

Image database (product images, 2D dimension drawings, 3D models, device circuit diagrams, EPLAN macros, ...)

http://www.automation.siemens.com/bilddb/cax_de.aspx?mfb=3SU10600JA300AA0&lang=en



last modified:

09.03.2015