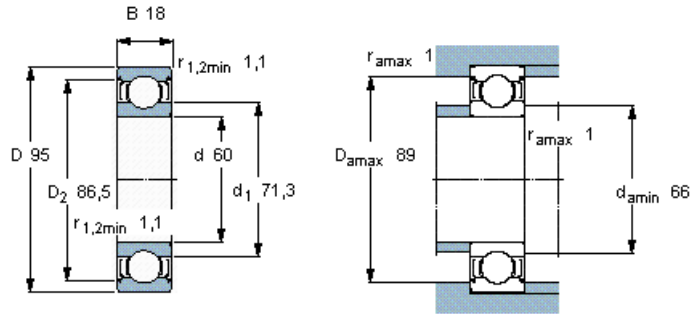


Deep groove ball bearings, single row

Principal dimensions			Basic load ratings		Fatigue load limit P_u	Speed ratings		Mass	Designation
d	D	B	dynamic	static		Reference speed	Limiting speed		
mm			kN	C_0	kN	r/min		kg	-
60	95	18	30,7	23,2	0,98	15000	7500	0,42	6012-2Z *



Calculation factors

k_r 0,025
 f_0 16