

Sub-Miniature Sealed Top and Rear AC Voltage

[Key Characteristics

Functional

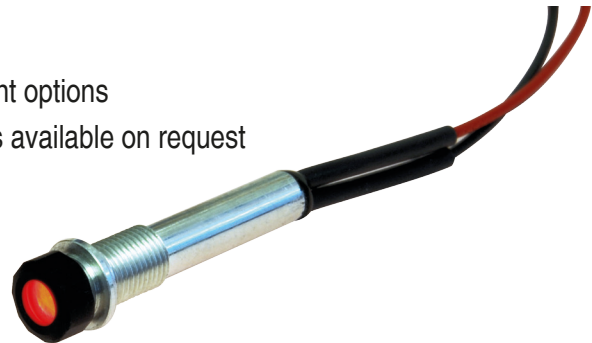
- 5mm mounting
- 60° viewing angle
- Operating from AC voltage

Rugged

- Panel sealed to IP67
- -40° to 85°C operating temp
- -55° to 100°C storage temp

Adaptable

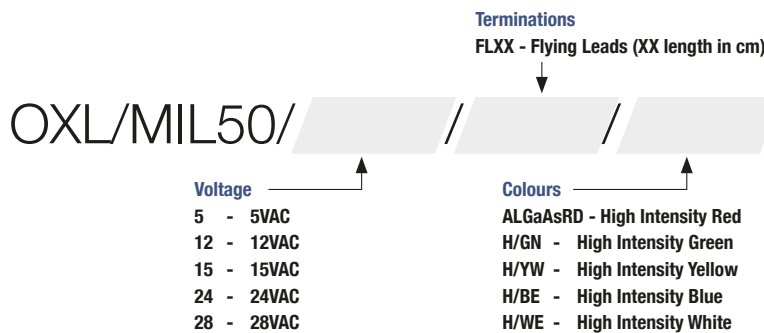
- Full colour range
- Voltage and current options
- Customer specials available on request



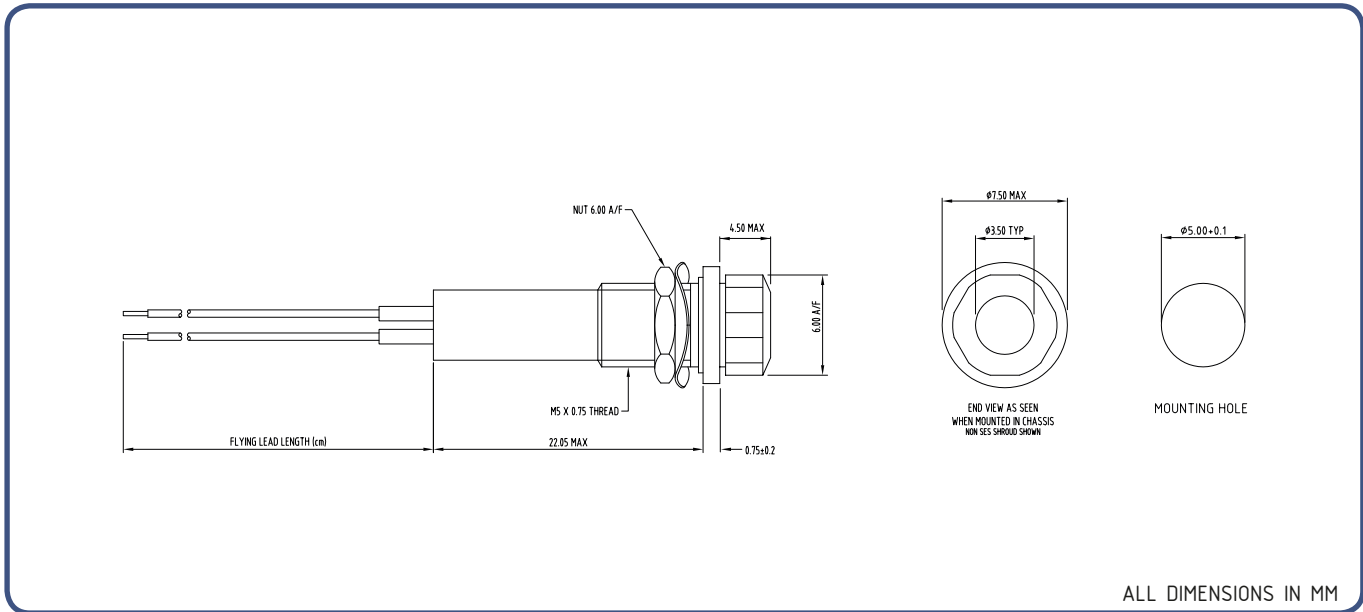
[Specifications

COLOURS									
Luminous Intensity	mcd	AlGaAs Red	Yellow	White	Blue	Green	Voltage		Current (mA)
							Forward	Reverse	
High Intensity	40	✓	x	x	x	x	5,12,15,24,28	5,12,15,24,28	15
	750	x	✓	x	x	x	5,12,15,24,28	5,12,15,24,28	15
	360	x	x	✓	x	x	5,12,15,24,28	5,12,15,24,28	15
	240	x	x	x	✓	x	5,12,15,24,28	5,12,15,24,28	15
	2080	x	x	x	x	✓	5,12,15,24,28	5,12,15,24,28	15

[Ordering Information



Example: OXL/MIL50/24/FL30/H/WE - 24 VAC, Flying Leads 30cm, High Intensity White
 Example: OXL/MIL50/12/FL30/H/GN - 12 VAC, Flying Leads 30cm, High Intensity Green



Technical Information

Terminations	Flying Leads, Insulation Red and Black, 30cm Standard Length
Shroud	Aluminium Alloy, Matt Black Anodised
Lens	Glass
Body and Nut	Aluminium Alloy
Washer	BeCu. Tin Plated
Sealing Ring	Nylon
Chassis Thickness	1mm - 4mm
Mounting Hole	5mm + 0.1
Recommended Mounting Torque	0.5Nm
Mean Time Before Failure	90,000 Hours

Termination Options



Flying Leads

Distributed by

