


**Ordering number FA11902\_TINA3-W**

Family	Tina3	FWHM	48 degrees
Type	Assembly	Efficiency	90 %
LED	NS9x383	cd/lm	1.100
Color	White	Gerber File	Available
Diameter	16.1 mm		
Height	7.3 mm		
Style	Round		
Optic Material	PMMA		
Holder Material	PC		
Fastening	Pin, tape		
Status	Ready		

**Ordering number FA11903\_TINA3-WW**

Family	Tina3	FWHM	65 degrees
Type	Assembly	Efficiency	90 %
LED	NS9x383	cd/lm	0.740
Color	White	Gerber File	Available
Diameter	16.1 mm		
Height	7.1 mm		
Style	Round		
Optic Material	PMMA		
Holder Material	PC		
Fastening	Pin, tape		
Status	Ready		

**Ordering number FA11904\_TINA3-WWW**

Family	Tina3	FWHM	72 degrees
Type	Assembly	Efficiency	87 %
LED	NS9x383	cd/lm	0.600
Color	White	Gerber File	Available
Diameter	16.1 mm		
Height	7 mm		
Style	Round		
Optic Material	PMMA		
Holder Material	PC		
Fastening	Pin, tape		
Status	Ready		

**NOTE: The typical divergence will be changed by different color, chip size and chip position tolerance. The typical total divergence is the full angle measured where the luminous intensity is half of the peak value.**



## PRODUCT DATASHEET

### Tina3 series

last update 27/3/2013



#### GENERAL INFORMATION

- Product series especially designed & optimized for NS9x383 series of LEDs.
- Special care taken to make light distribution as uniform as possible.
- Lens material optical grade PMMA with high UV and temperature resistance. Allows use of high current and temperature conditions.

Please find more information about used material from below:

[http://ledil.fi/sites/default/files/Documents/Technical/Material/PMMA%20N%20UL94\\_Yellow%20Card.pdf](http://ledil.fi/sites/default/files/Documents/Technical/Material/PMMA%20N%20UL94_Yellow%20Card.pdf)

<http://ledil.fi/sites/default/files/Documents/Technical/Material/PMMA%20N%20PLEXIGLAS-Datasheet.pdf>

- Optic holder molded by high quality PC material (120 degrees of Celcius / 248 degrees of Fahrenheit).

D

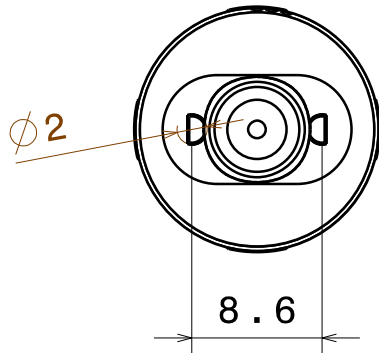
C

B

A

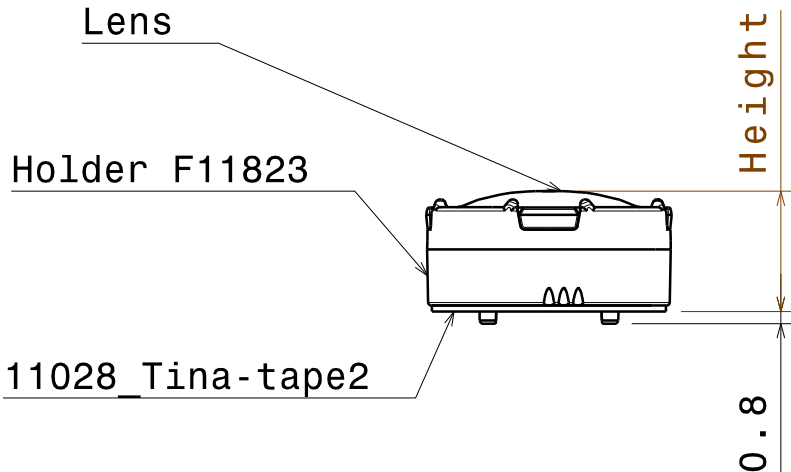
4

4



3

3



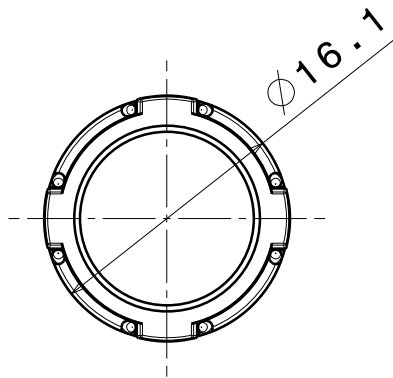
Height:  
S:11.36  
W:7.95  
WW:7.1  
WWW:6.9

2

2

MATERIALS  
Lens: PMMA  
Holder: PC  
Tape: PU Foam

Part no.s:  
FA11905\_Tina3-S-XM  
FA11902\_Tina3-W-XM  
FA11903\_Tina3-WW-XM  
FA11904\_Tina3-WWW-XM



This drawing is our property.  
It can't be reproduced  
or communicated without  
our written agreement.



Ledil Oy  
Tehdaskatu 13  
FIN-24100 SALO  
Finland

DRAWING TITLE

Datasheet Tina3-series Assy XM

DRAWN BY  
ah

DATE  
18.05.2011

CHECKED BY  
ah

DATE  
18.5.2011

SIZE  
A4

DRAWING NUMBER

-

REV  
1

DESIGNED BY  
pv

DATE  
13.10.2010

SCALE

2:1

WEIGHT (g)

-

SHEET

1/1

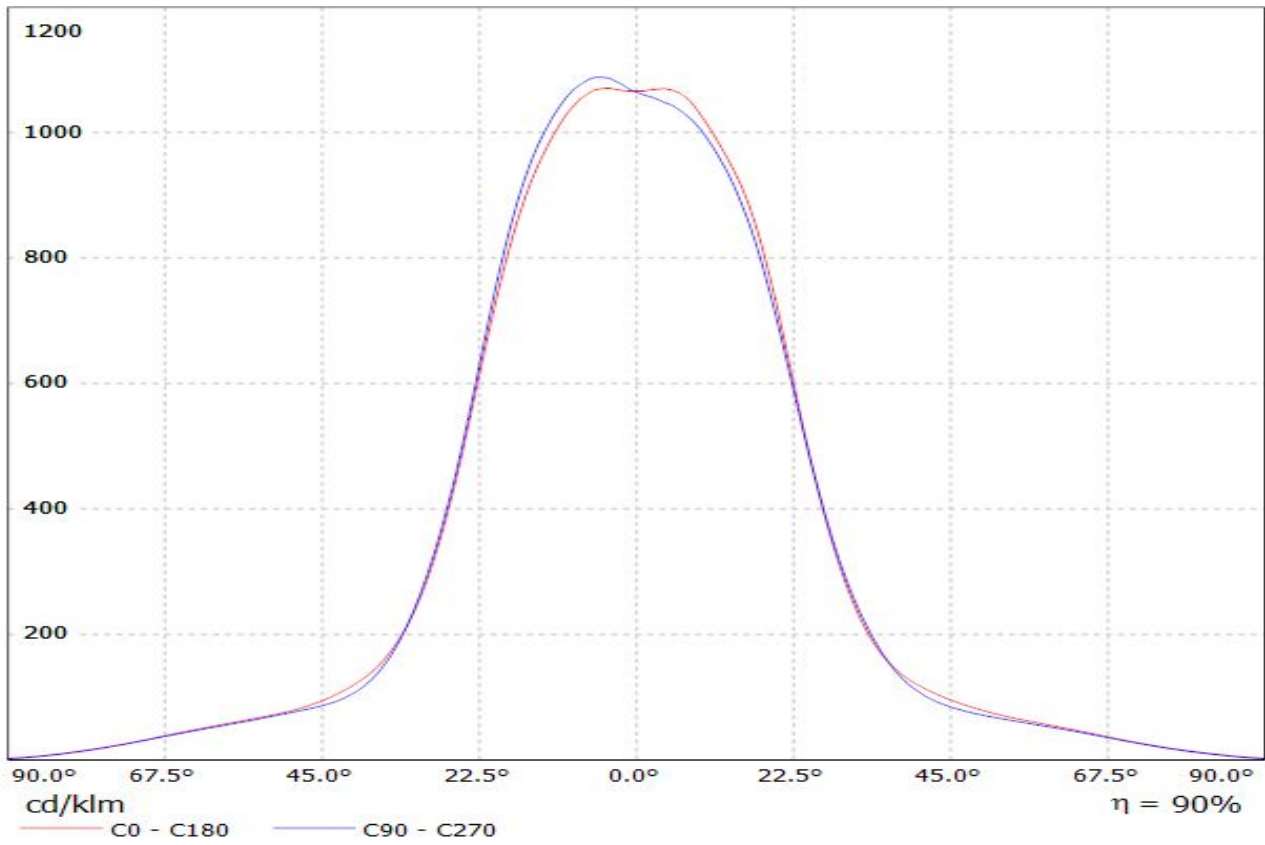
D

A

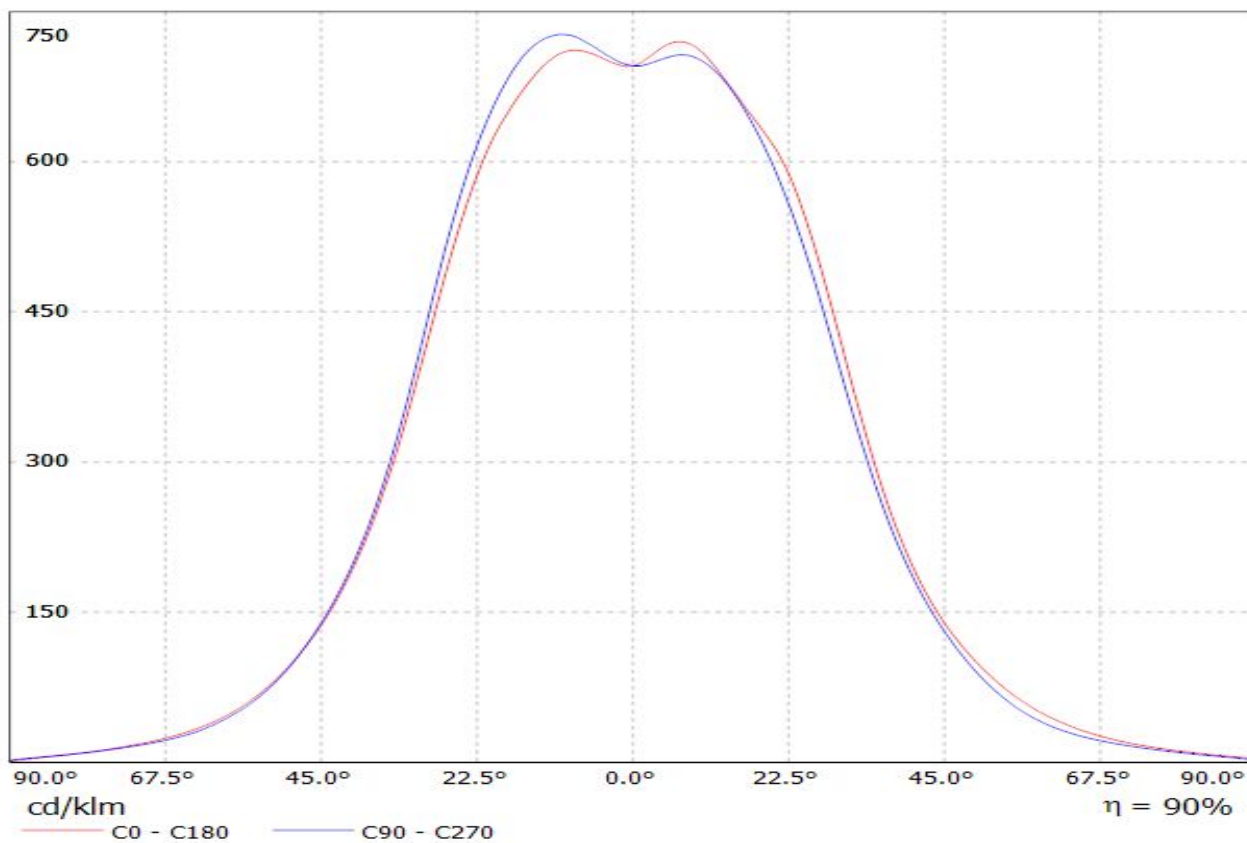
1

1

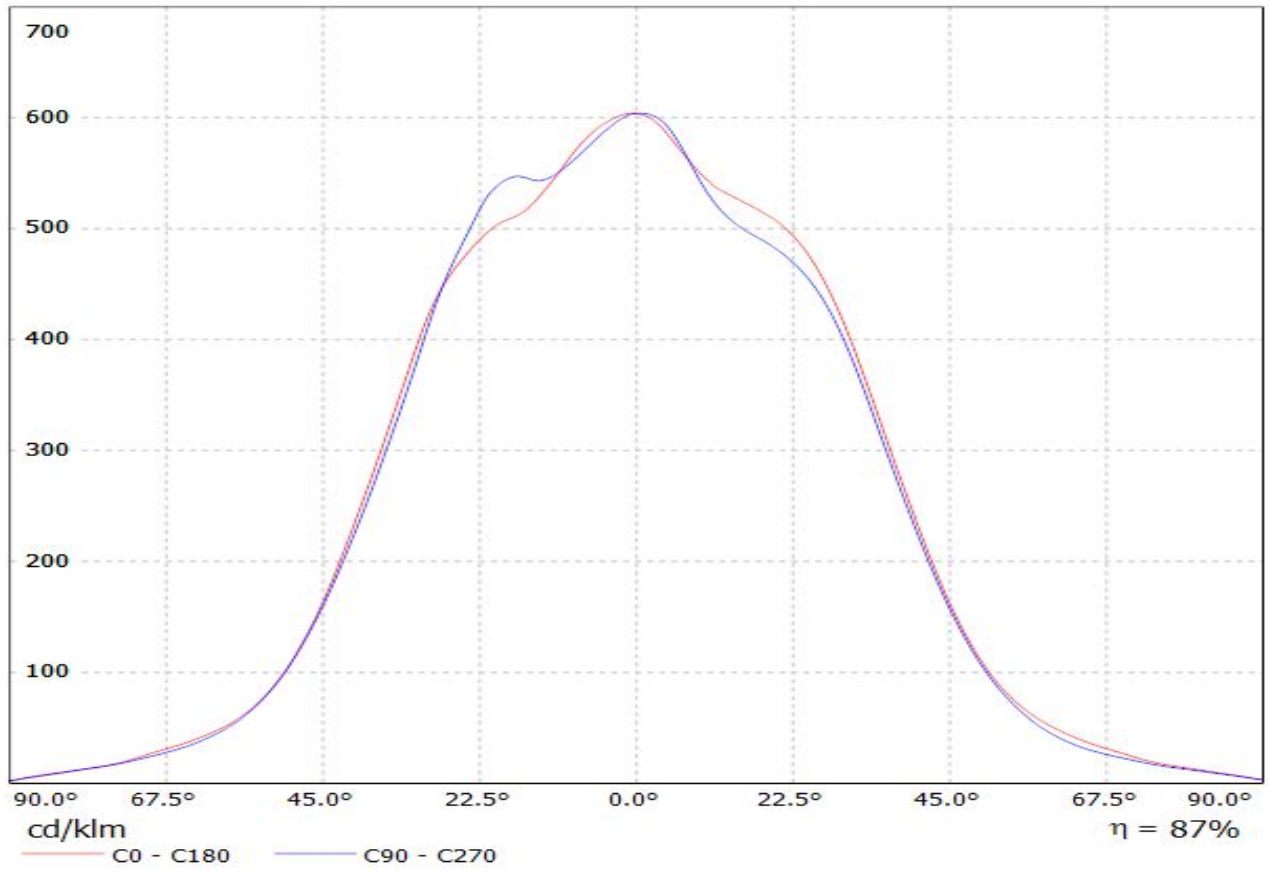
Luminaire: LEDiL Oy FA11902\_TINA3-W\_(NS9x383) Eff. 89,6%  
Lamps: 1 x Nichia NS9x383 (105lm@250mA)



Luminaire: LEDiL Oy FA11903\_TINA3-WW\_(NS9x383) Eff. 90,2%  
Lamps: 1 x Nichia NS9x383 (105lm@250mA)

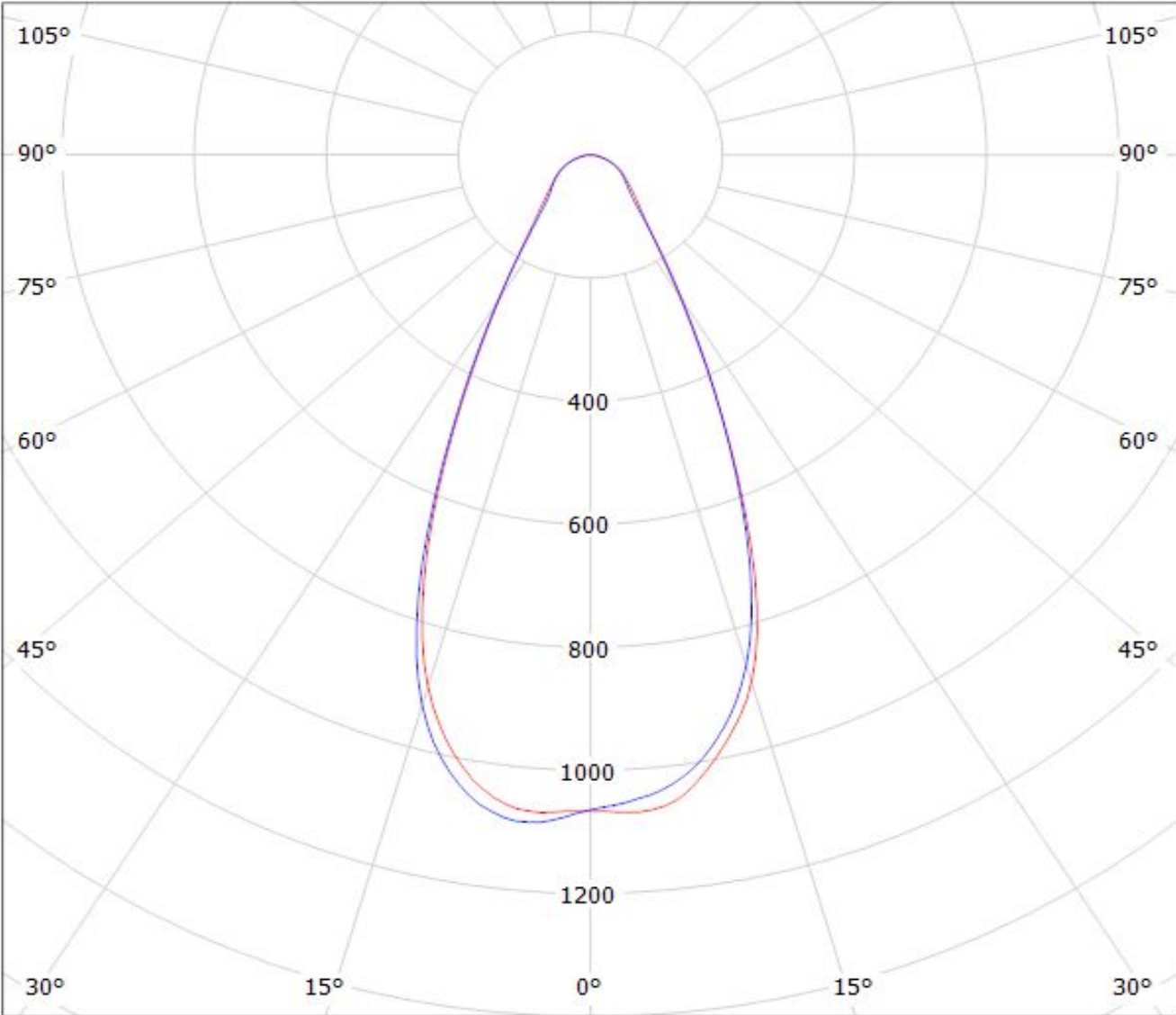


Luminaire: LEDiL Oy FA11904\_TINA3-WWW\_(NS9x383) Eff. 87%  
Lamps: 1 x Nichia NS9x383 (105lm@250mA)



Luminaire: LEDiL Oy FA11902\_TINA3-W\_(NS9x383) Eff. 89,6%

Lamps: 1 x Nichia NS9x383 (105lm@250mA)

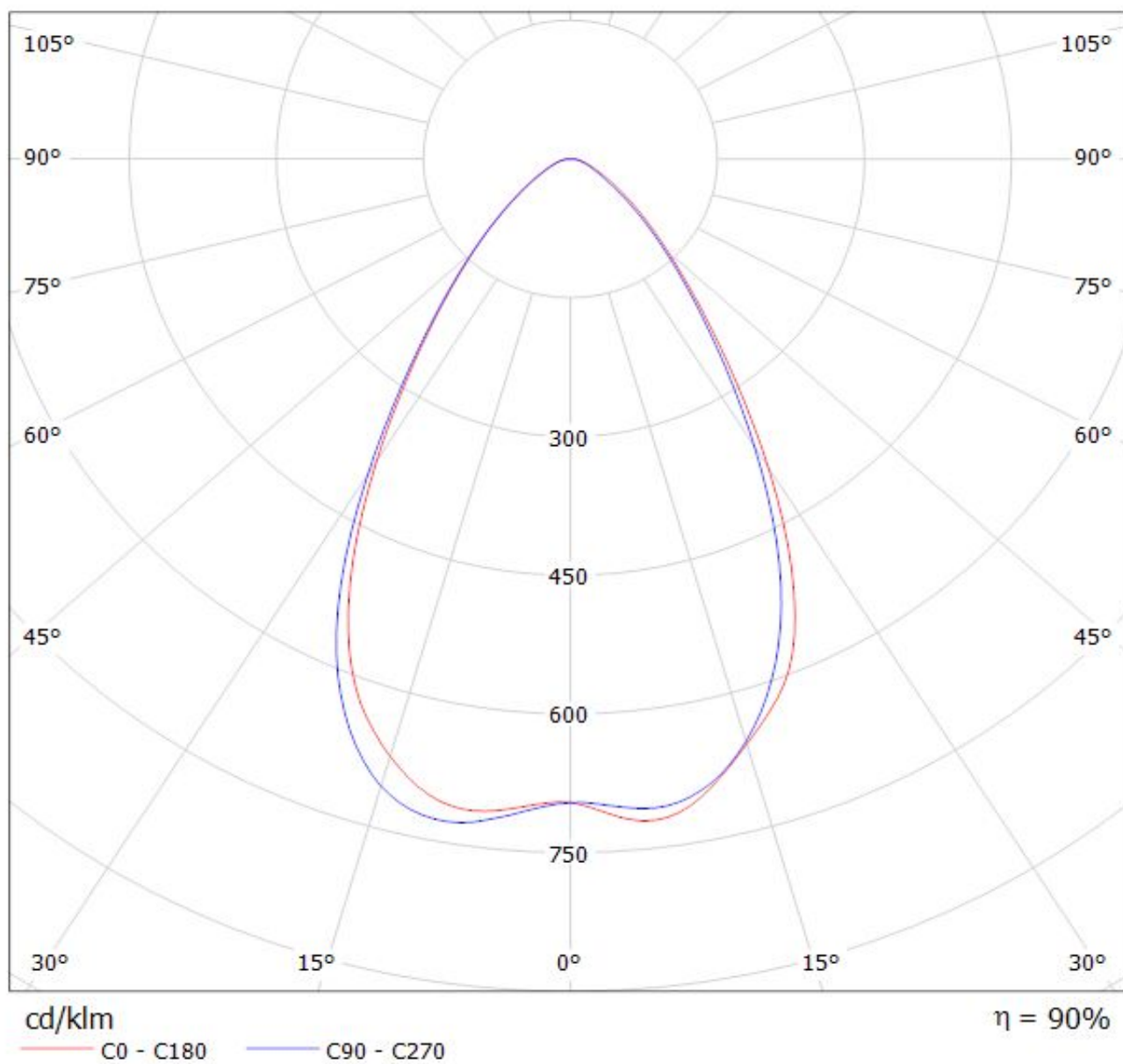


cd/klm

— C0 - C180    — C90 - C270

$\eta = 90\%$

Luminaire: LEDiL Oy FA11903\_TINA3-WW\_(NS9x383) Eff. 90,2%  
Lamps: 1 x Nichia NS9x383 (105lm@250mA)



Luminaire: LEDiL Oy FA11904\_TINA3-WWW\_(NS9x383) Eff. 87%  
Lamps: 1 x Nichia NS9x383 (105lm@250mA)

