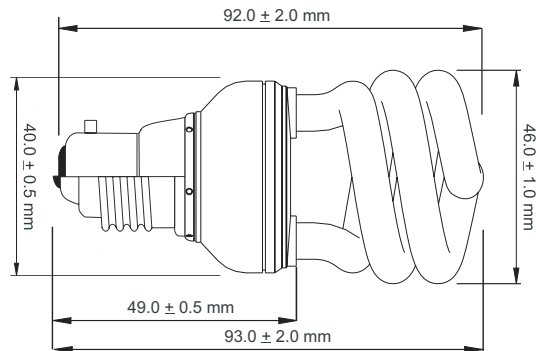
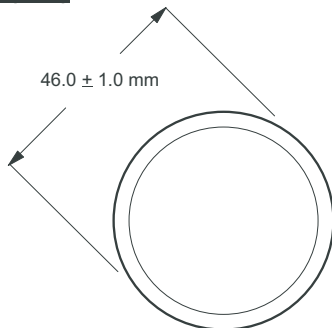


SYLVANIA**COMPACT
FLUORESCENT LAMP****MINILYNX
COMPACT SPIRAL
T2 12W****DIMENSIONS (mm)**

Cap Type: E27 - EN60061-1 sheet -7004-21
 Cap Type: B22d - EN60061-1 sheet -7004-10

ELECTRICAL DATA¹

		<u>Nominal Value</u>	<u>Min.</u>	<u>Max.</u>
Lamp rated wattage	(W) :	12.0W		13.2W
Lamp operating voltage (rms)	(V) :	230-240V		
Lamp current	(mA) :	85 mA		

OPERATING CONDITIONS:

		<u>Nominal Value</u>	<u>Min.</u>	<u>Max.</u>
Cap Rim temperature	(°C) :			80
Lamp Ambient Temperature	(°C) :		-15	50
Starting time at 25°C	(s) :			2
Operating Position	:	Unrestricted		
Weight	(g) :	55		

LAMP LIFE²

Average life (IEC Test Cycle) (h) : 10000

PHOTOMETRIC DATA:

	<u>colour no.</u>	<u>Luminous Flux nominal value (lm)</u>	<u>CRI (Class)</u>	<u>Colour Temp. (K)</u>	<u>Energy Efficiency Class</u>	<u>ILCOS Code</u>
Homelight Deluxe	827	630	1b	2700	A	FBT-12/27/1b-E27-46/93
Homelight Deluxe	827	630	1b	2700	A	FBT-12/27/1b-B22-46/92

Attention: Lamps comply with EN 60 968 (Safety Requirements) and EN 60 969 (Performance Requirements) and CE Regulations.

¹Measured according to EN 60 969, at 50 Hz, lamp aged 100h

²Life test according to EN 60 969

Issued by : Havells Sylvania UK Ltd
 Date : 01.10.2010
 Revision Date :

DATA SHEET

Specification No. : N1002
 Supersedes :
 Page : 1 of 1

HAVELLS SYLVANIA reserves the right to change data and specification without notice.
 Data for guidance only.