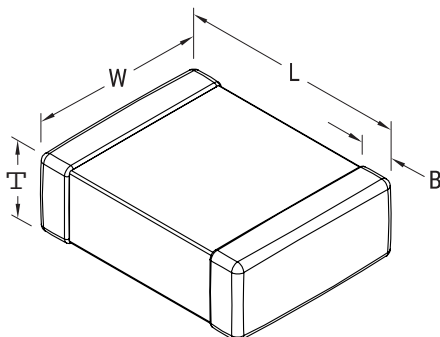


KEMET Part Number: LDBAA2330GC5N0
(DBAA2330GC5N0)

LDB, Film, Metallized PPS Stacked, General Purpose, 0.033 uF, 2%, 16 VDC, 125°C, 1206, 1.1mm



Dimensions	
Chip Size	1206
L	3.3mm +0.3/-0.1mm
W	1.7mm +/-0.2mm
T	1.1mm MAX
B	0.5mm +0.5/-0.3mm

Packaging Specifications	
Packaging:	T&R
Packaging Quantity:	3000

General Information	
Supplier:	KEMET
Series:	LDB
Dielectric:	Metallized PPS Stacked
Style:	SMD Chip
RoHS:	Yes
Shelf Life:	104 Weeks
MSL:	3

Specifications	
Capacitance:	0.033 uF
Capacitance Tolerance:	2%
Voltage DC:	16 VDC
Temperature Range:	-55/+125C
Rated Temperature:	125°C
Dissipation Factor:	0.60% 1kHz
Insulation Resistance:	3 GOhms

Statements of suitability for certain applications are based on our knowledge of typical operating conditions for such applications, but are not intended to constitute - and we specifically disclaim - any warranty concerning suitability for a specific customer application or use. This Information is intended for use only by customers who have the requisite experience and capability to determine the correct products for their application. Any technical advice inferred from this Information or otherwise provided by us with reference to the use of our products is given gratis, and we assume no obligation or liability for the advice given or results obtained.