



TIME RELAY, SOLID-STATE, ON-DELAY,
1 CO, 1 TIME RANGE 0.5S...10S, AC 24,
230V AND DC 24V, WITH LED,
SCREW TERMINAL

General technical data:		
product brand name		SIRIUS
Product designation		timing relay
Adjustable time	s	0.5 ... 10
Protection class IP		
• on the front		IP40
• of the terminal		IP20
Shock resistance		15g / 11 ms
Degree of pollution		2
mounting position		any
Supply voltage / required / Auxiliary voltage		No
Product function		
• star-delta circuit		No
• with auxiliary voltage / pulse-shaping		No
• at the relay outputs / Switchover delayed/without delay		No
Product component / semi-conductor output		No
Product expansion		
• optional / remote control		No
• required / remote control		No
Installation altitude / at height above sea level / maximum	m	2,000

Ambient temperature		
• during storage	°C	-40 ... +70
• during operation	°C	-25 ... +55
• during transport	°C	-40 ... +70
Relative humidity		
• during operation	%	15 ... 85
EMI immunity / acc. to IEC 60947-1		corresponds to degree of severity 3
EMC emitted interference / acc. to IEC 60947-1		IEC61000-6-3 (residential area)
Conducted interference BURST / acc. to IEC 61000-4-4		2 kV network connection / 1 kV control connection
Conducted interference conductor-earth SURGE / acc. to IEC 61000-4-5		2 kV
Conducted interference conductor-conductor SURGE / acc. to IEC 61000-4-5		1 kV
Electrostatic discharge / acc. to IEC 61000-4-2		4 kV contact discharge / 8 kV air discharge
Field-bound parasitic coupling / acc. to IEC 61000-4-3		10 V/m
Vibration resistance		10 ... 55 Hz / 0.35 mm
Surge voltage resistance / Rated value	V	4,000
Insulation voltage / Rated value	V	300
Active power loss / total / typical	W	2
Reference code		
• acc. to DIN 40719 extended according to IEC 204-2 / acc. to IEC 750		K
• acc. to DIN EN 61346-2		K

Switching Function:

Switching function		
• passing make contact		No
• fixed clock cycle beginning with pulse		No
• variably clocked start with interval		No
• OFF delay		No
• variably clocked start with impulse		No
• with control signal		
• passing break contact		No
• OFF delay		No
• ON-delay/instantaneous contact		No
• passing make contact/instantaneous contact		No
• fixed clock cycle beginning with interval		No
• with control signal		
• additive ON delay		No
• passing break contact/instantaneous		No
• without control signal / OFF delay		No

• ON-delay		Yes
• with control signal		
• OFF delay/instantaneous		No
• ON-delay/OFF-delay/instantaneous		No
• fixed clock cycle beginning with interval/instantaneous contact		No
Switching function / with control signal / pulse-shaping/instantaneous		No
• with control signal		
• pulse-shaping		No
• ON-delay/instantaneous contact		No

Control circuit:

Type of voltage / of the control supply voltage		AC/DC
Control supply voltage frequency / 1		
• Initial rated value	Hz	50
• Final rated value	Hz	60
Control supply voltage / 1		
• with AC / at 50 Hz	V	200 ... 240
• with AC / at 60 Hz	V	200 ... 240
• for DC		
• Rated value	V	24
Control supply voltage / 2		
• with AC / at 50 Hz		
• Rated value	V	24
• with AC / at 60 Hz		
• Rated value	V	24
Operating range factor control supply voltage rated value / of the magnet coil		
• initial value		0.85
• Full-scale value		1.1

Auxiliary circuit:

Operating current / of the auxiliary contacts		
• at AC-15 / at 24 V	A	3
• at AC-15 / at 250 V	A	3
• at DC-13		
• at 24 V	A	1
• at 125 V	A	0.22
• at 250 V	A	0.1
• maximum	A	1
Number of NC contacts		
• delayed switching		0

<ul style="list-style-type: none"> instantaneous contact 		0
Number of NO contacts		
<ul style="list-style-type: none"> delayed switching 		0
<ul style="list-style-type: none"> instantaneous contact 		0
Number of CO contacts		
<ul style="list-style-type: none"> delayed switching 		1
<ul style="list-style-type: none"> instantaneous contact 		0

Short-circuit:

Design of the fuse link / for short-circuit protection of the auxiliary switch / required	fuse gL/gG: 4 A
--	-----------------

Installation/mounting/dimensions:

Mounting type		snap-on fastening on 35 mm standard rail
Width	mm	17.5
Height	mm	90
Depth	mm	66.7
Spacing required		
<ul style="list-style-type: none"> with side-by-side mounting 	mm	0
<ul style="list-style-type: none"> with side-by-side mounting 	mm	0
<ul style="list-style-type: none"> with side-by-side mounting 	mm	0
<ul style="list-style-type: none"> with side-by-side mounting 	mm	0
<ul style="list-style-type: none"> with side-by-side mounting 	mm	0
Spacing required		
<ul style="list-style-type: none"> for grounded parts 	mm	0
<ul style="list-style-type: none"> for grounded parts 	mm	0
<ul style="list-style-type: none"> for grounded parts 	mm	0
<ul style="list-style-type: none"> for grounded parts 	mm	0
<ul style="list-style-type: none"> for grounded parts 	mm	0
Spacing required		
<ul style="list-style-type: none"> for live parts 	mm	0
<ul style="list-style-type: none"> for live parts 	mm	0
<ul style="list-style-type: none"> for live parts 	mm	0
<ul style="list-style-type: none"> for live parts 	mm	0
<ul style="list-style-type: none"> for live parts 	mm	0

Connections:

Design of the electrical connection		
<ul style="list-style-type: none"> Plug-in socket 		No
<ul style="list-style-type: none"> for auxiliary and control current circuit 		screw-type terminals
Type of connectable conductor cross-section		

<ul style="list-style-type: none"> • for auxiliary contacts <ul style="list-style-type: none"> • solid • finely stranded <ul style="list-style-type: none"> • with core end processing • without core end processing • for AWG conductors / for auxiliary contacts 		1x (0.2 ... 2.5 mm ²) 0.25 ... 1.5 mm ² 1x (0.2 ... 1.5 mm ²) 1x (24 ... 14)
Connectable conductor cross-section / for auxiliary contacts		
<ul style="list-style-type: none"> • single or multi-stranded • finely stranded <ul style="list-style-type: none"> • with core end processing • without core end processing 	mm ²	0.2 ... 2.5
	mm ²	0.25 ... 1.5
	mm ²	0.2 ... 1.5
AWG number / as coded connectable conductor cross section		
<ul style="list-style-type: none"> • for auxiliary contacts 		14 ... 24

Certificates/approvals:

Certificate of suitability

CE

General Product Approval

Declaration of Conformity



CCC



UL



EG-Konf.

Safety:

Category / acc. to EN 954-1

none

Protection against electrical shock

finger-safe

Further information:

Information- and Downloadcenter (Catalogs, Brochures,...)

<http://www.siemens.com/industrial-controls/catalogs>

Industry Mall (Online ordering system)

<http://www.siemens.com/industrial-controls/mall>

Cax online generator:

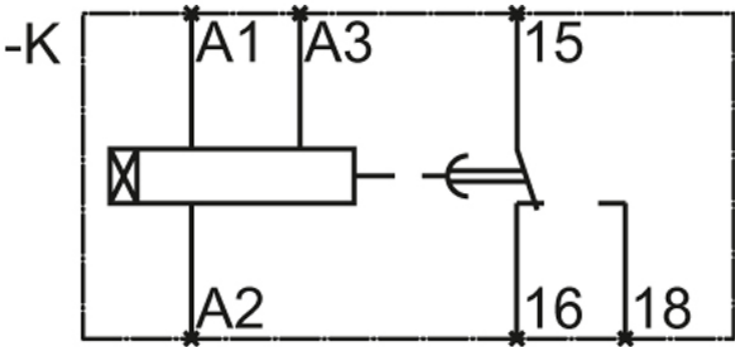
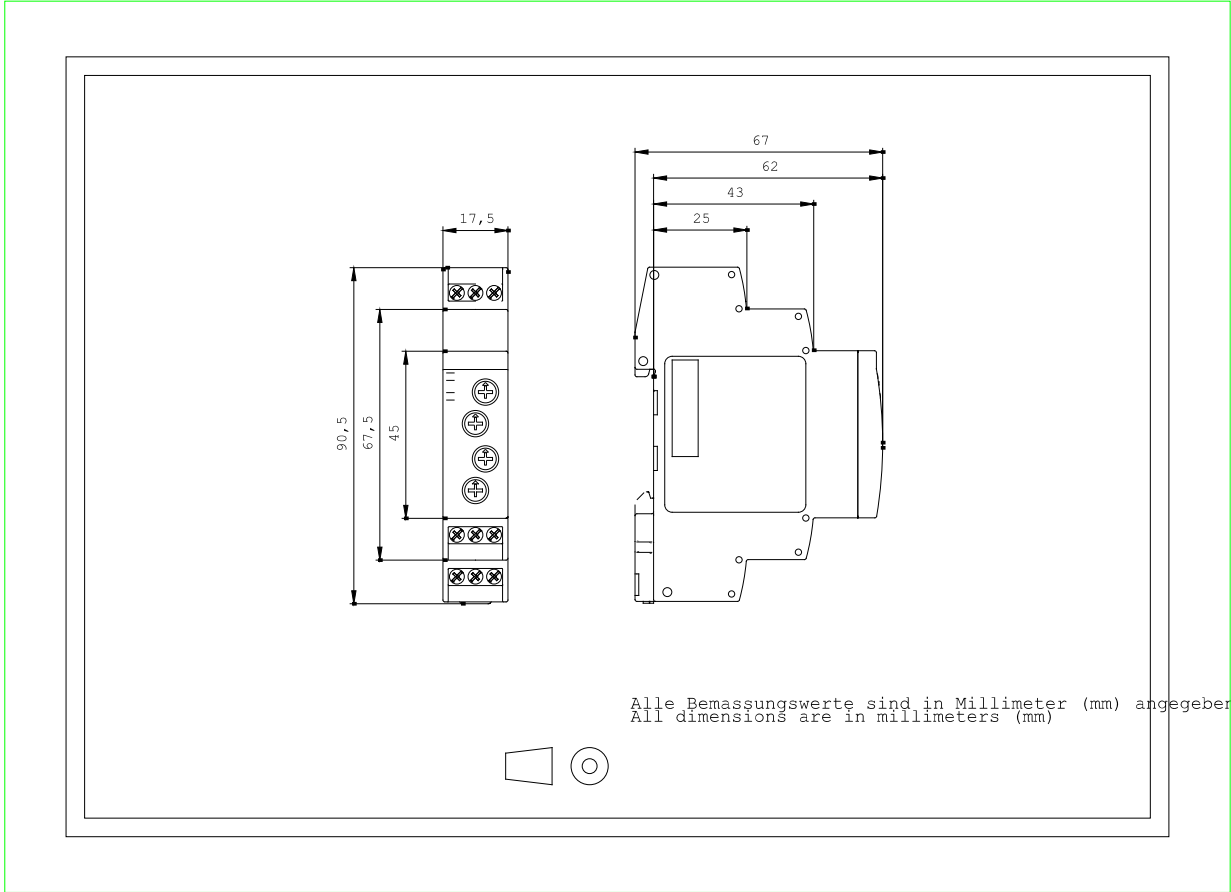
<http://www.siemens.com/cax>

Service&Support (Manuals, Certificates, Characteristics, FAQs,...)

<http://support.automation.siemens.com/WW/view/en/7PV1512-1AP30/all>

Image database (product images, 2D dimension drawings, 3D models, device circuit diagrams, ...)

http://www.automation.siemens.com/bilddb/cax_en.aspx?mlfb=7PV1512-1AP30



last change:

Nov 3, 2014