



## Main

|                             |  |
|-----------------------------|--|
| Range of product            | Harmony XALD   |
| Product or component type   | Empty control station  |
| Device short name           | XALD   |
| Product destination         | For XB5 Ø 22 mm control and signalling units   |
| Number of cut-out           | 4 cut-outs   |
| Colour of base of enclosure | Light grey RAL 7035  |
| Colour of cover             | Dark grey RAL 7016   |
| Material                    | Polycarbonate  |
| Cable entry                 | 2 knock-outs for Pg 13 cable gland and ISO M20, clamping capacity: <= 12 mm<br>2 knock-outs for cable entry, clamping capacity: <= 14 mm |
| IP degree of protection     | IP65 conforming to IEC 60529   |

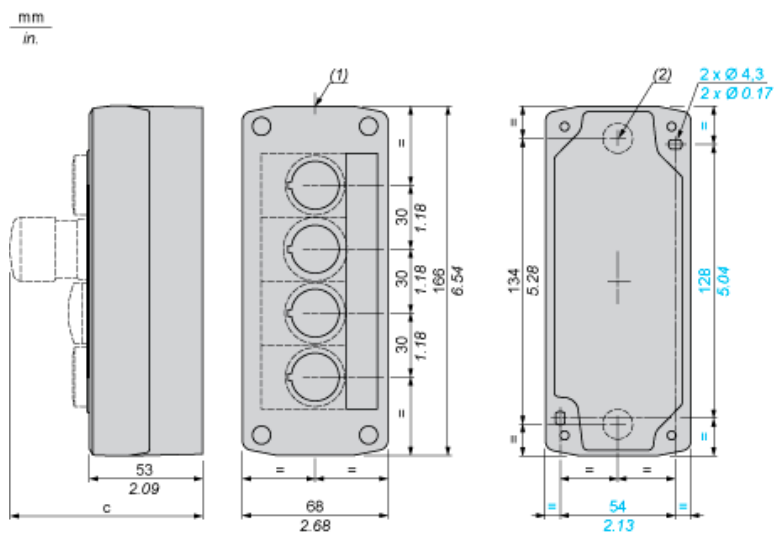
## Complementary

|                                    |  |
|------------------------------------|--|
| Assembly style                     | For customer assembly  |
| Number of vertical rows            | 4  |
| Resistance to high pressure washer | 7000000 Pa at 55 °C, distance: 0.1 m                               |
| Mounting of block                  | Front mounting<br>Rear mounting                                    |
| Electrical composition code        | SR1<br>SR2<br>MR1<br>MF1<br>PF1<br>MF2<br>PF2<br>SF1<br>SF2<br>PR1 |
| Main group                         | 4 cut-outs   |
| Group of product                   | UL-CSA grey  |

## Environment

|  |   |
|--|---|
| Protective treatment                       | TH  |
| Ambient air temperature for storage        | -40...70 °C   |
| Ambient air temperature for operation      | -25...70 °C   |
| Class of protection against electric shock | Class II conforming to IEC 60536  |
| NEMA degree of protection                  | NEMA 4X<br>NEMA 13  |
| IK degree of protection                    | IK03 conforming to EN 50102   |
| Standards                                  | CSA C22-2 No 14<br>EN/IEC 60947-1<br>EN/IEC 60947-5-1<br>EN/IEC 60947-5-4<br>EN/IEC 60947-5-5<br>JIS C 4520<br>UL 508 |
| Product certifications                     | CSA<br>UL   |

Dimensions



- (1) 2 knock-outs for Pg 13.5 cable gland, maximum capacity 12 mm/0.47 in.  
 (2) Knock-out for cable entry, maximum capacity 14 mm/0.55 in.

| Control station fitted with:                              | c in mm | c in in. |
|---|---------|----------|
| Flush pushbutton  | 62      | 2.44     |
| Pilot light   | 64      | 2.52     |
| Illuminated pushbutton                                    | 65.5    | 2.58     |
| Projecting pushbutton                                     | 66      | 2.60     |
| Selector switch   | 80      | 3.15     |
| Mushroom head pushbutton                                  | 91.5    | 3.58     |
| Latching mushroom head Emergency stop pushbutton with key | 115     | 4.53     |
| Key switch  | 105.5   | 4.15     |