

Product Information



8478UFD200P63

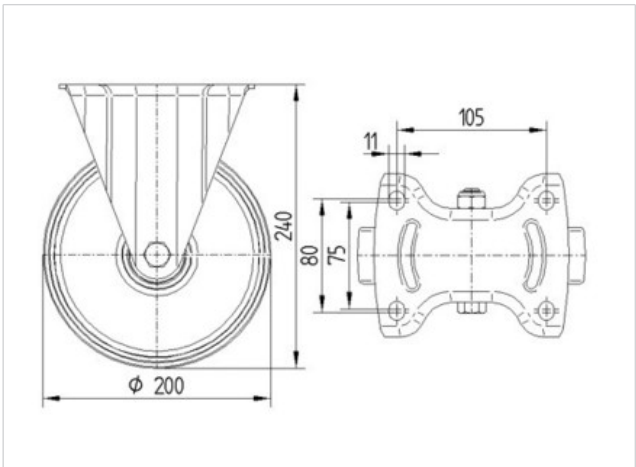
EAN 4031582347180

Fixed castor, Fork made of Stainless Steel, wheel axle with nut, plate fitting.

Wheel centre made of Polyamide, Tread: elastic-tyre, non-marking, roller bearing, stainless

Technical Data	
Wheel diameter	200 mm
Width of Tread	46 mm
Size of Plate	137 x 115 mm
Plate hole centres	105 x 80/75 mm
Plate hole	11 mm
Overall height	240 mm
Temperature	- 20 / + 80 °C
Standard	EN 12532
Weight	2.207 kg
Hardness of tread	A 64 Shore
Load capacity	400 kg
Load capacity (static)	800 kg

Roll performance	+	+	+	+	+
Movement noise	+	+	+	+	+
Attrition	+	+	+	+	+
Corrosion resistance	+	+	+	+	+



Product Information



8478UFD200P63

EAN 4031582347180

