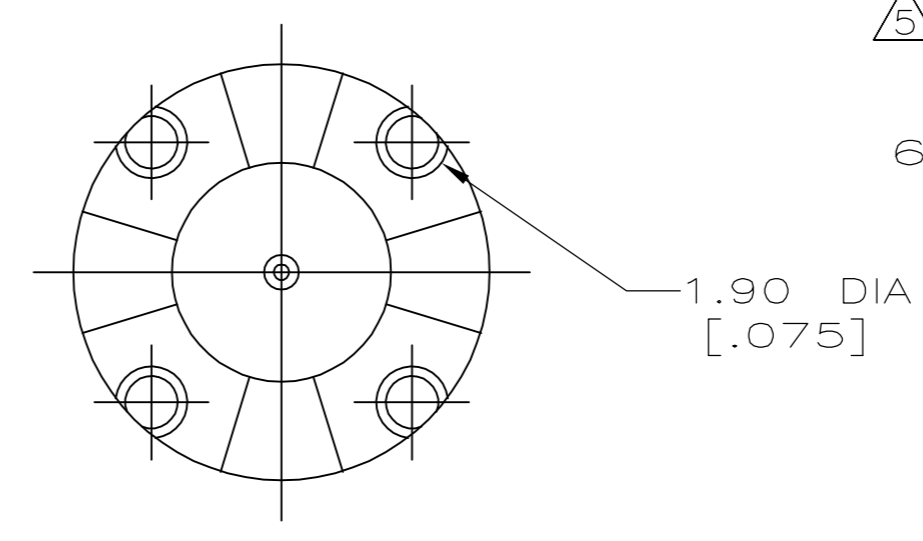
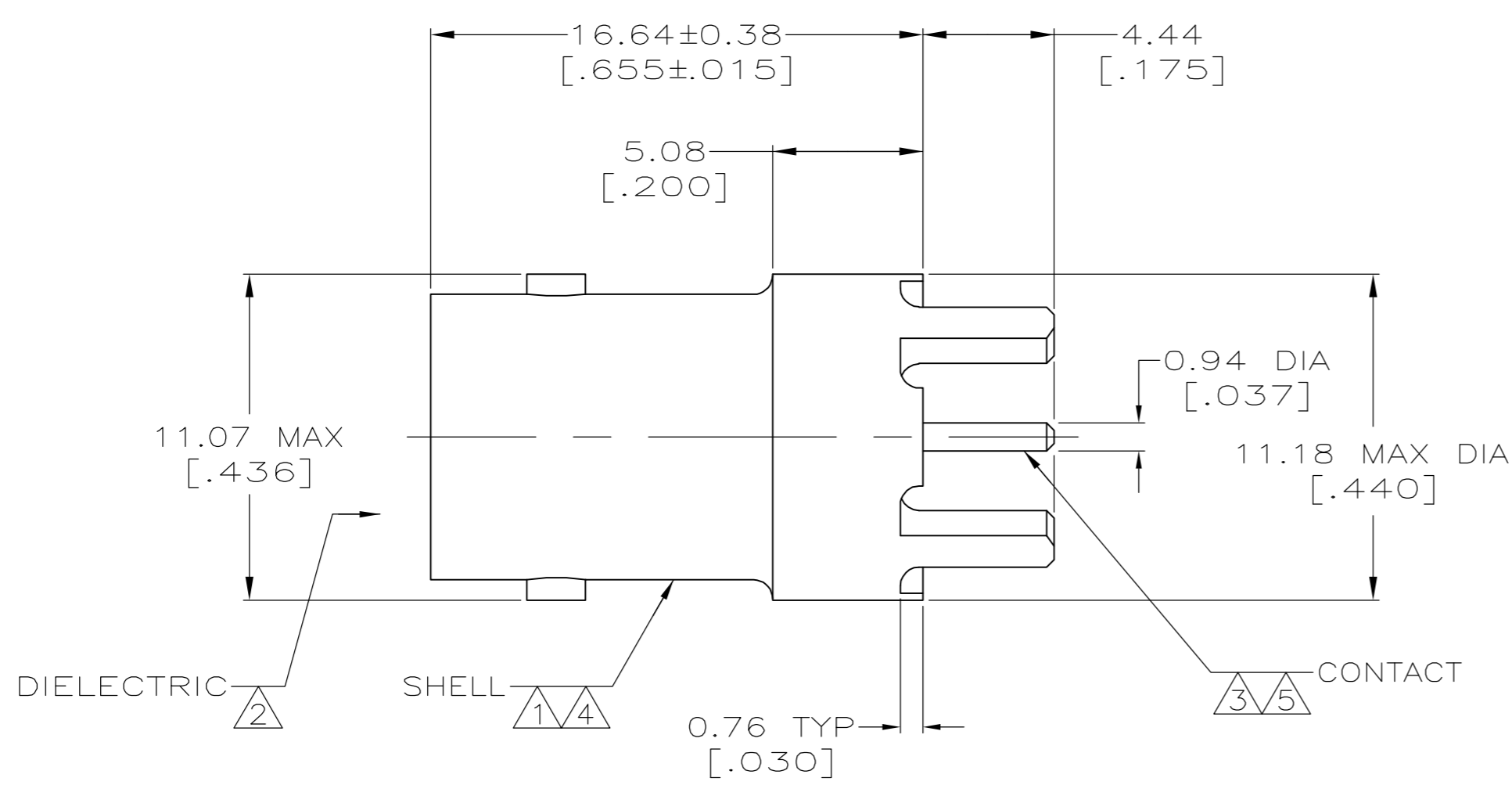
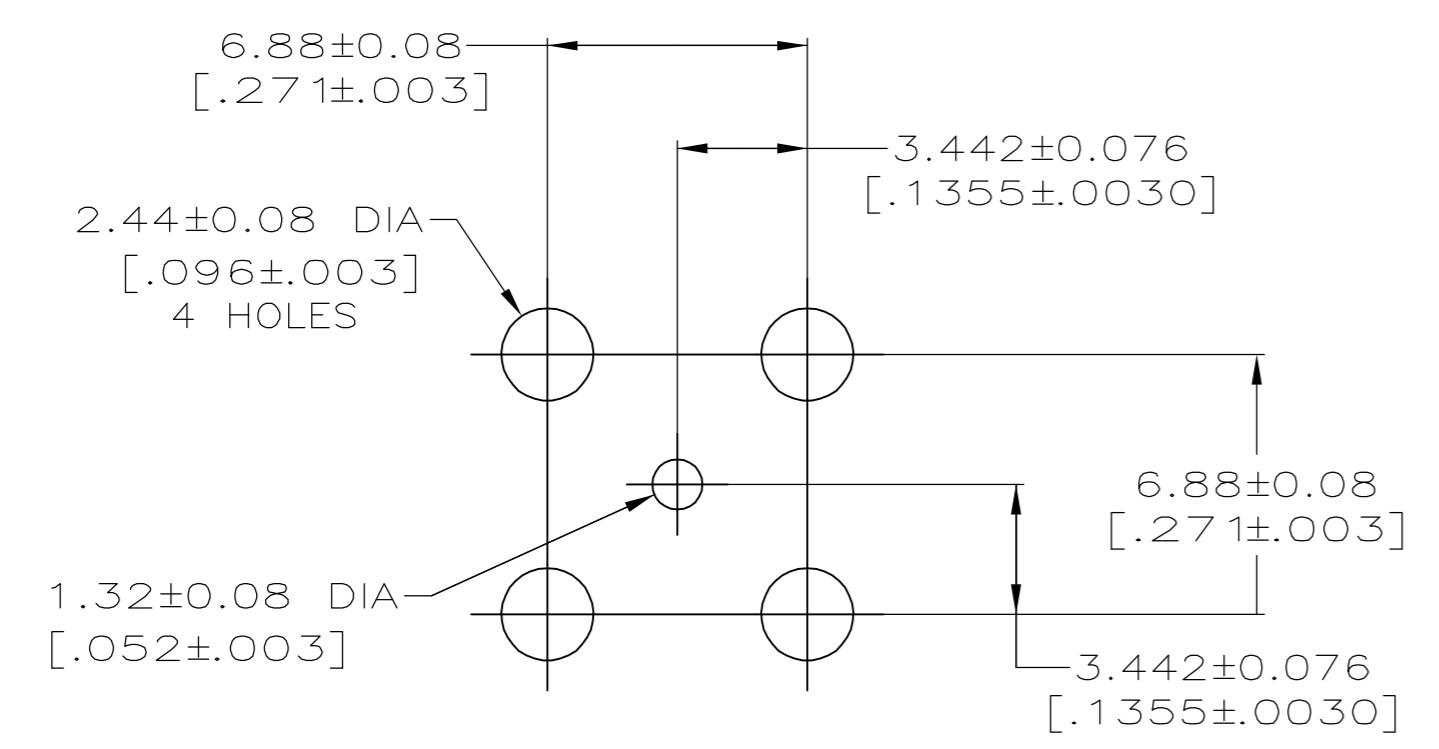


THIS DRAWING IS UNPUBLISHED. RELEASED FOR PUBLICATION
 © COPYRIGHT BY TYCO ELECTRONICS CORPORATION. ALL RIGHTS RESERVED.

LOC	DIST	REVISIONS					
		P	LTR	DESCRIPTION	DATE	DWN	APVD
AJ	16	0		REV PER EC-0S14-0496-04	01FEB2005	GA	JL



- 1 ZINC PER QQ-Z-363.
- 2 PTFE PER MIL-P-19468.
- 3 PHOSPHOR BRONZE PER QQ-B-750.
- 4 TIN PLATE PER ASTM-B-545, 3.04 μm [.000120] MINIMUM THICK.
- 5 GOLD PLATE PER MIL-G-45204, 0.76 μm [.000030] MINIMUM THICK.
- 6. SEE INSTRUCTION SHEET 408-9889.



SUGGESTED PCB CONFIGURATION

5414394-1
 PART NO

THIS DRAWING IS A CONTROLLED DOCUMENT.		DWN G. ATTADIA - DOCK5 01FEB2005	Tyco Electronics Corporation Harrisburg, Pa 17105-3608	
DIMENSIONS: mm [INCHES]		CHK J. HAVENER 01FEB2005		
TOLERANCES UNLESS OTHERWISE SPECIFIED:		APVD J. LIPPERT 01FEB2005	NAME JACK, VERTICAL, 75 OHM, PCB, BNC	
0 PLC ± - 1 PLC ± - 2 PLC ± 0.20 [.008] 3 PLC ± - 4 PLC ± - ANGLES ± -		PRODUCT SPEC -	SIZE A2	CAGE CODE 00779
MATERIAL SEE NOTES 1 - 3		FINISH SEE NOTES 4 - 5	WEIGHT -	DRAWING NO C=5414394
CUSTOMER DRAWING			RESTRICTED TO -	SCALE 5:1
			SHEET 1	OF 1
			REV 0	

5414394