

Product Information



2470PJP075P30-11

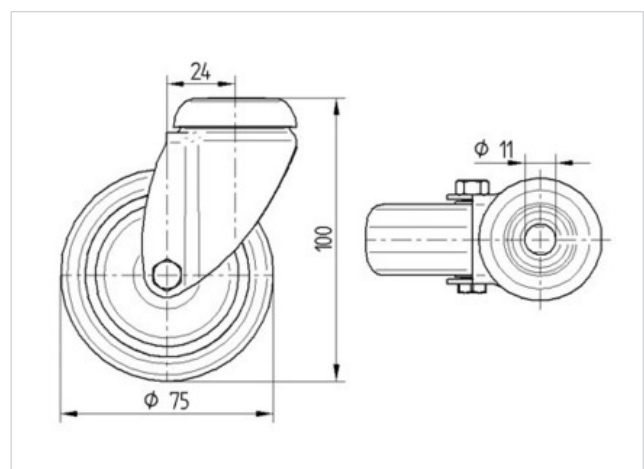
EAN 4031582010459

Swivel castor, housing made of pressed steel, bright zinc plated, blue passivated, double ball bearing swivel head, bolt hole.

Wheel centre made of Polypropylene, Tread: TENTEprene (thermoplastic rubber), grey non-marking, precision ball bearing, with threadguards. Castors can be mounted with standard screws; various length screws can be used.



Technical Data	
Wheel diameter	75 mm
Width of Tread	25 mm
Centre hole	11 mm
Offset	24 mm
Swivel Interference	123 mm
Overall height	100 mm
Temperature	- 20 / + 60 °C
Standard	EN 12530
Weight	0.252 kg
Swivel Radius	61.5 mm
Hardness of tread	Shore A 87
Load capacity	75 kg
Load capacity (static)	150 kg



Roll performance	+	+	+	+	+
Movement noise	+	+	+	+	+
Attrition	+	+	+	+	+
Corrosion resistance	+	+	+	+	+

Product Information



2470PJP075P30-11

EAN 4031582010459

