



## Universal Mounts - Type T



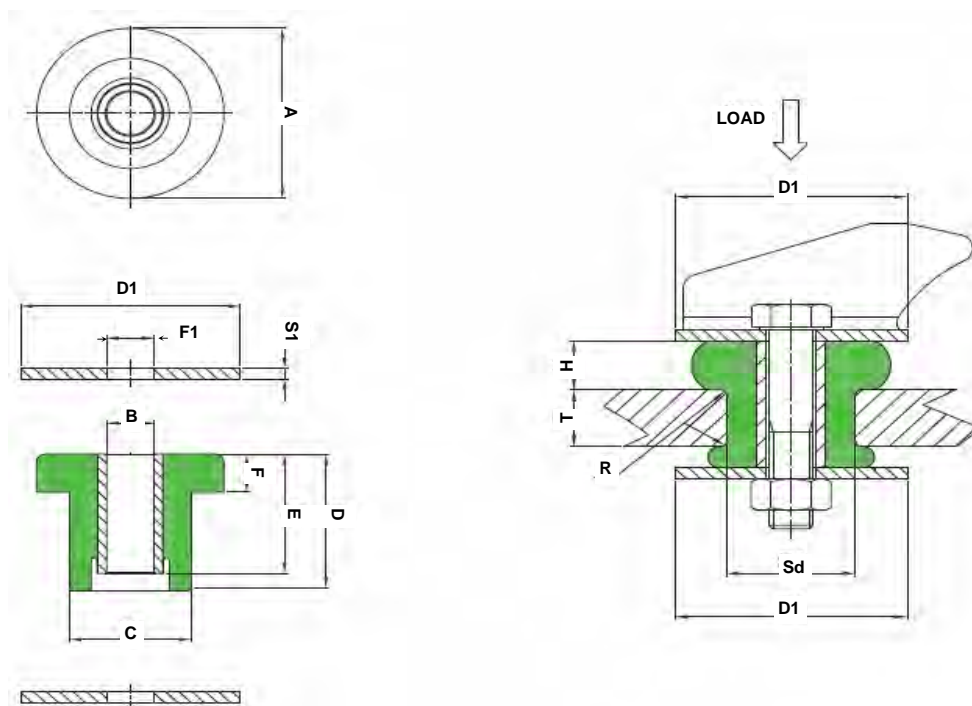
### Applications

- Engines
- Radiators
- Cabs
- General Isolation

The T range of Mounts provide excellent fail-safe dynamic insulation, particularly in the vertical direction.

They significantly reduce vibrations and absorb considerable levels of shocks to provide an excellent all-round solution to a wide range of applications on agricultural machines, tractors, off-road machines and military equipment.

When installed with the supplied washers, they are excellent in insulating structures where through assembly is required by isolating the application primarily in compression, but also with a degree of isolation in traction.



RS Ref:	Fibet Ref:	Hardness (IRHD)	MOUNTS							INSTALLATION				WASHERS			Average Stiffness (daN/mm)	Maximum Load (daN)	Maximum Deflection (mm)
			A	B	C	D	E	F	H	D1	Sd	R	T	D1	F1	S1			
720-3451	T3027M	55	32	10	24.0	36.0	27.2	14	13	38	22.7	1.5	9.7	38	10	2	22.0	50.0	2.3
720-3455	T5137K	50	51	13	35.0	51.0	37	19	17.5	65	31.8	1.5	12.7	65	12	3	45.0	135.0	3.0
720-3464	T6038K	50	60	17.1	37.0	53.0	39.2	17	16	70	35.1	1.5	15.7	70	16	4	75.0	225.0	3.0