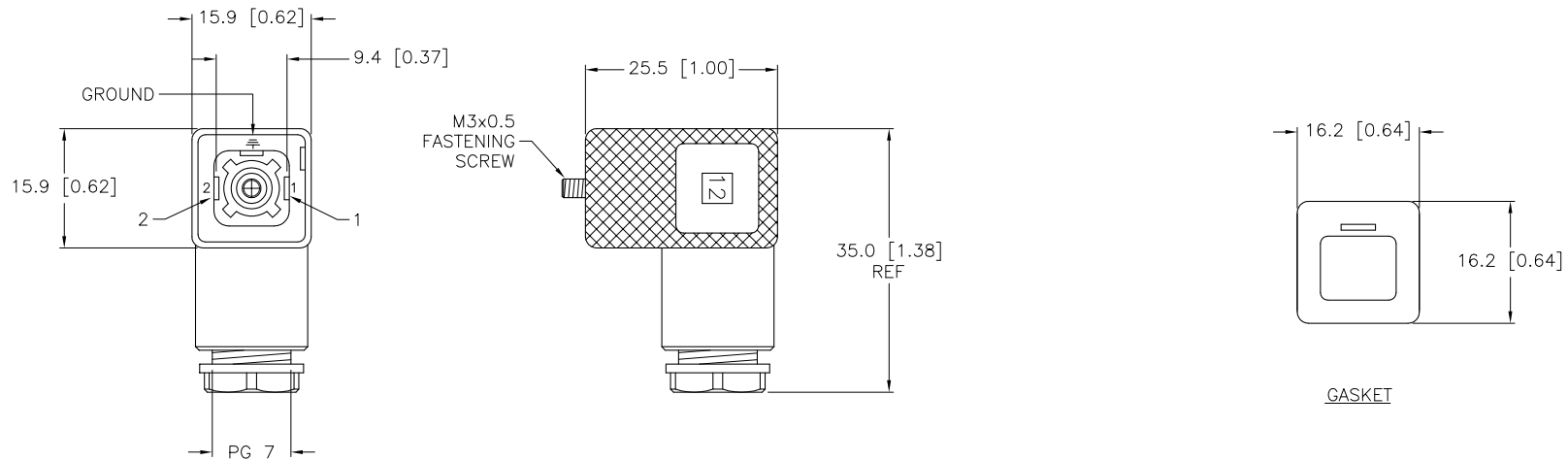


SPECIFICATIONS

HOUSING/COLOR	NYLON/BLACK
HOUSING/COLOR	NYLON/BLACK
RATED CURRENT	10 A
RATED VOLTAGE	250 V
GASKET	NITRILE
CONTACTS	NICKEL-PLATED BRASS
TERMINAL	SCREW TERMINALS, CONDUCTORS TO 14 AWG
CABLE GLAND	PG 7
TEMPERATURE	-25°C TO +90°C (-13°F TO +194°F)
PROTECTION CLASS	MEETS NEMA 4,6P, AND IEC IP 65



RELATED DOCUMENTS 1. 2. 3. 4.	3RD ANGLE PROJECTION 	THIS DRAWING IS PROPERTY OF TURCK INC. USE OF THIS DOCUMENT WITHOUT WRITTEN PERMISSION IS PROHIBITED.		TURCK INC <i>High Technology Sensors and Automation Controls</i> 3000 CAMPUS DRIVE MINNEAPOLIS, MN 55441 1-800-544-7769 (763) 553-7300 (763) 553-0708 fax turck.com	
	MATERIAL SEE SPECIFICATIONS	DRFT IK DATE 12/22/98	DESCRIPTION TC9S 2-AW	DSGN SCALE 1=1.0	
FINISH SEE SPECIFICATIONS	ALL DIMENSIONS DISPLAYED ON THIS DRAWING ARE FOR REFERENCE ONLY	UNIT OF MEASUREMENT MILLIMETER [INCH]	IDENTIFICATION NO. U7162	REV C	
C UPDATE TO M3x0.5 THREAD	JBJ 06/30/00 T3723	DO NOT SCALE THIS DRAWING		FILE: U7162	SHEET 1 OF 1
REV DESCRIPTION	BY DATE ECO NO.				

C	UPDATE TO M3x0.5 THREAD	JBJ	06/30/00	T3723
REV	DESCRIPTION	BY	DATE	ECO NO.