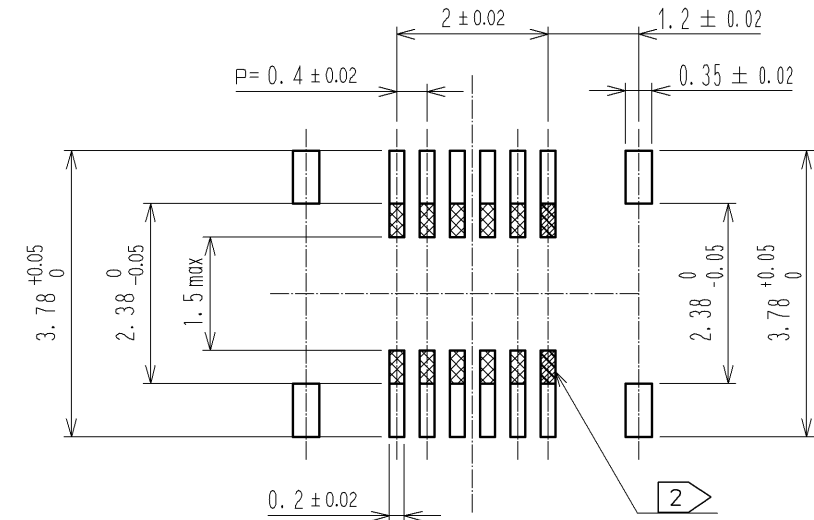


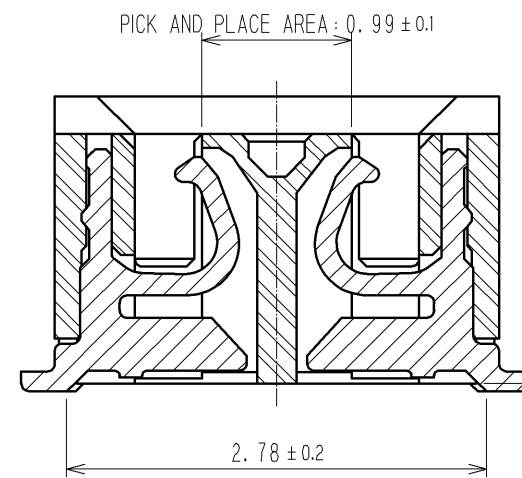
NOTES) 1. ALL LEADS CO-PLANARITY SHALL BE 0.1MAX.  
 2. IS NO PATTERN AREA OTHER THAN THE SAME CIRCUIT.  
 3. HRS MARK AND CAV NO. IS INDICATED IN APPROX POSITION SHOWN.

RECOMMENDED PATTERN

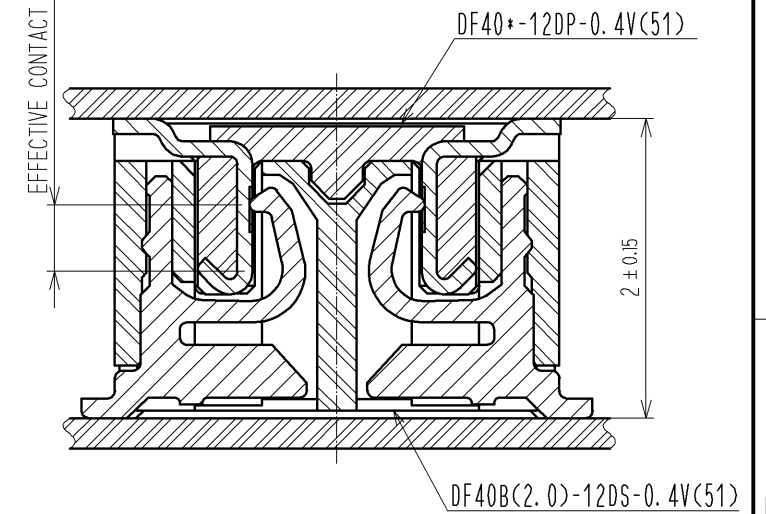


RECOMMENDED METAL MASK THICKNESS: 120 μm  
 RECOMMENDED METAL MASK OPENING RATIO: 80% FOR LEAD PAD

B-B (20:1)

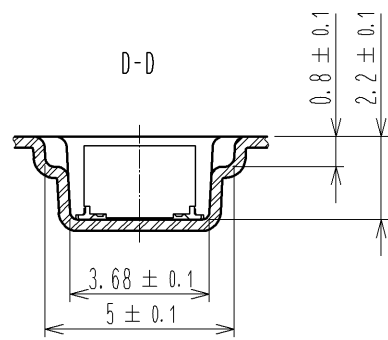
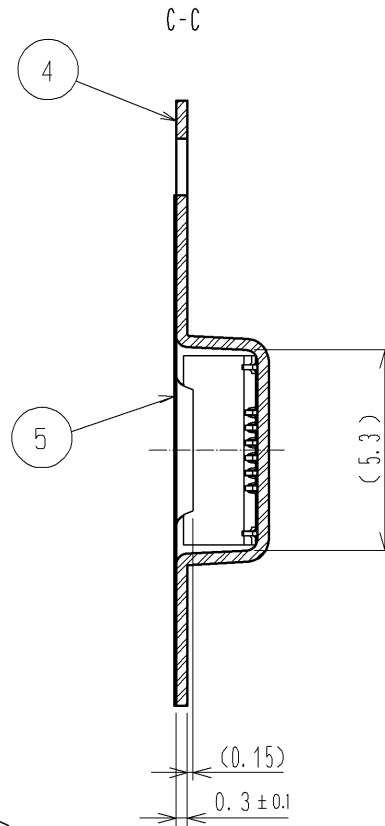
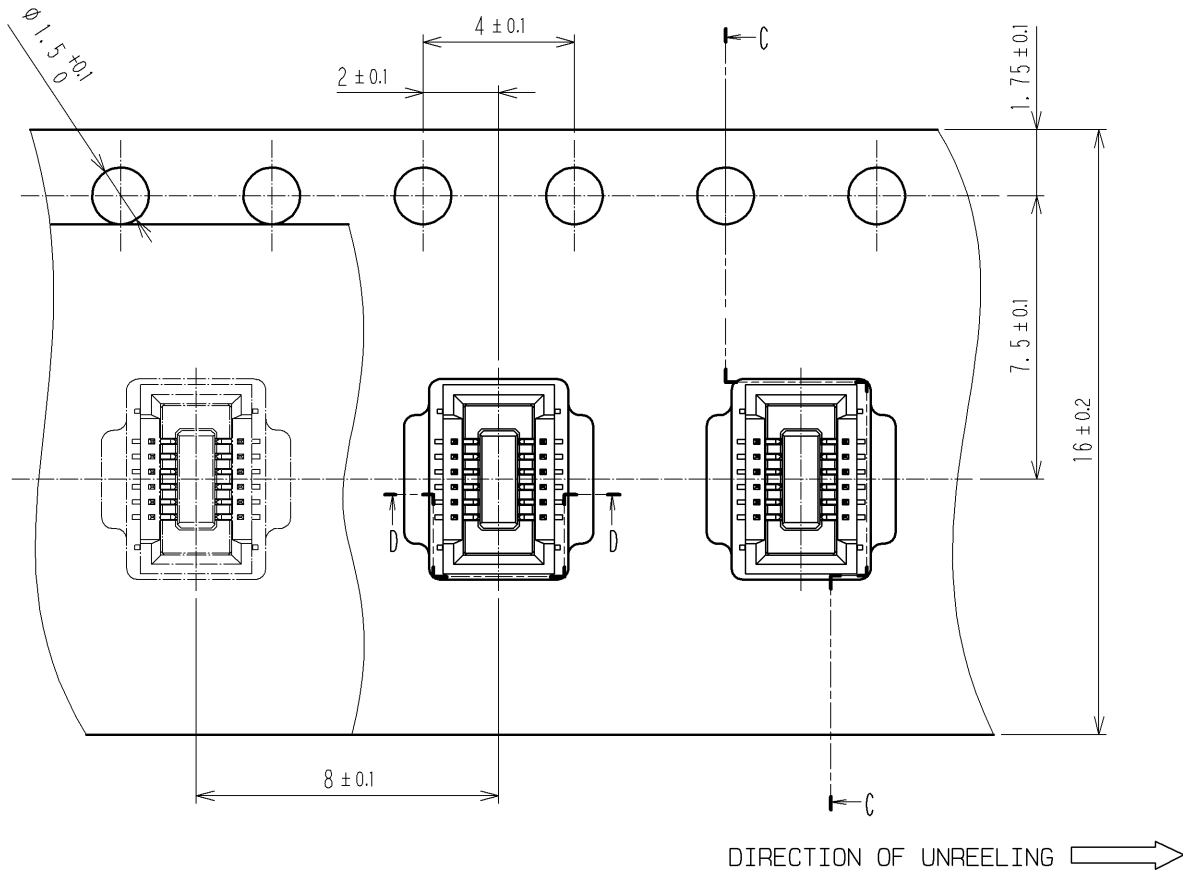


ENGAGEMENT FIGURE (20:1)

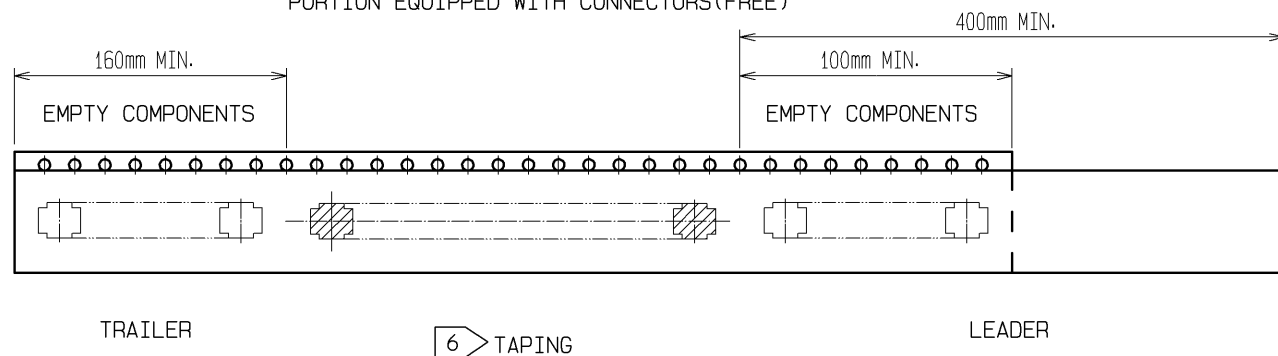


2	PHOSPHOR BRONZE	CONTACT AREA:GOLD 0.05 μm MIN SMT LEAD:GOLD 0.05 μm MIN UNDERPLATING:NICKEL 1 μm MIN	7	PS	CLEAR, REINFORCEMENT COLLAR		
1	LCP	BLACK, UL94V-0	6	PS	BLACK, PLASTIC REEL		
			5	POLYESTER	CLEAR, COVER TAPE		
			4	PS	CLEAR, EMBOSSED CARRIER TAPE		
			3	PHOSPHOR BRONZE	GOLD 0.05 μm		
NO.	MATERIAL	FINISH, REMARKS	NO.	MATERIAL	FINISH, REMARKS		
UNITS mm		SCALE 10:1	COUNT 	DESCRIPTION OF REVISIONS	DESIGNED	CHECKED	DATE
<b>HRS</b> HIROSE ELECTRIC CO., LTD.		APPROVED : KH. IKEDA	13. 12. 25	DRAWING NO. EDC3-332417-03			
		CHECED : TS. MIYAZAKI	13. 12. 25	PART NO. DF40B(2.0)-12DS-0.4V(51)			
		DESIGNED : RT. SHIMIZU	13. 12. 25	CODE NO. CL684-4150-8-51			
		DRAWN : RT. SHIMIZU	13. 12. 25				

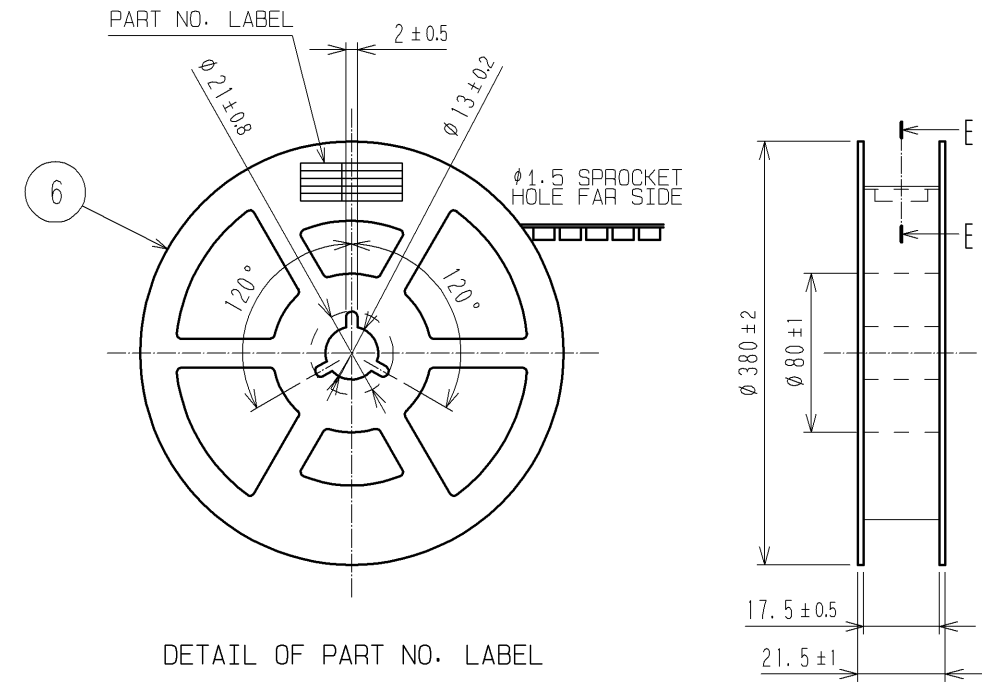
EMBOSED CARRIER TAPE DIMENSIONS (5:1)



PORTION EQUIPPED WITH CONNECTORS(FREE)



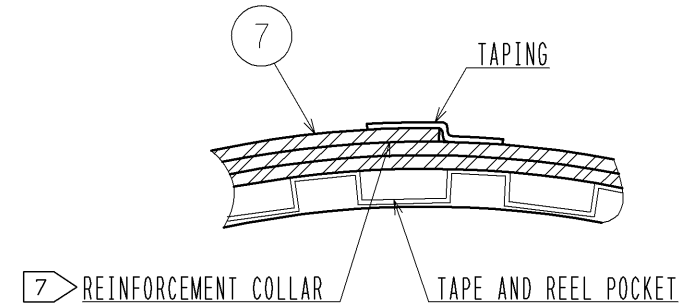
STYLE AND DIMENSION OF REEL (FREE)



DETAIL OF PART NO. LABEL

SUPPLIER	
QUANTITY	
PART NO.	
CODE NO.	
DATE OF MANUFACTURED	
製造年月日	** ** *
製品コード	CL684-4150-8-51
製品名	DF40B(2.0)-12DS-0.4V(51)
数量	4000
納入者	ヒロセ電機(株)

E-E(FREE)



- NOTES) 4. PER REEL 4000 CONNECTORS.  
 5. THE DIMENSIONS IN PARENTHESES ARE FOR REFERENCE.  
 6 REFER TO JIS C 0806 (IEC 60286-3.PACKING OF COMPONENTS FOR AUTOMATIC HANDLING)  
 7 AFTER PACKAGING, ROLL 2 METERS OF THE REINFORCEMENT COLLAR TO OUTER CIRCUMFERENCE OF TAPE AND REEL POCKET, AND TAPE DOWN AT THE END THE COLLAR.

<b>HRS</b>	DRAWING NO.	EDC3-332417-03
	PART NO.	DF40B(2.0)-12DS-0.4V(51)
	CODE NO.	CL684-4150-8-51
		$\triangle$ 2/2